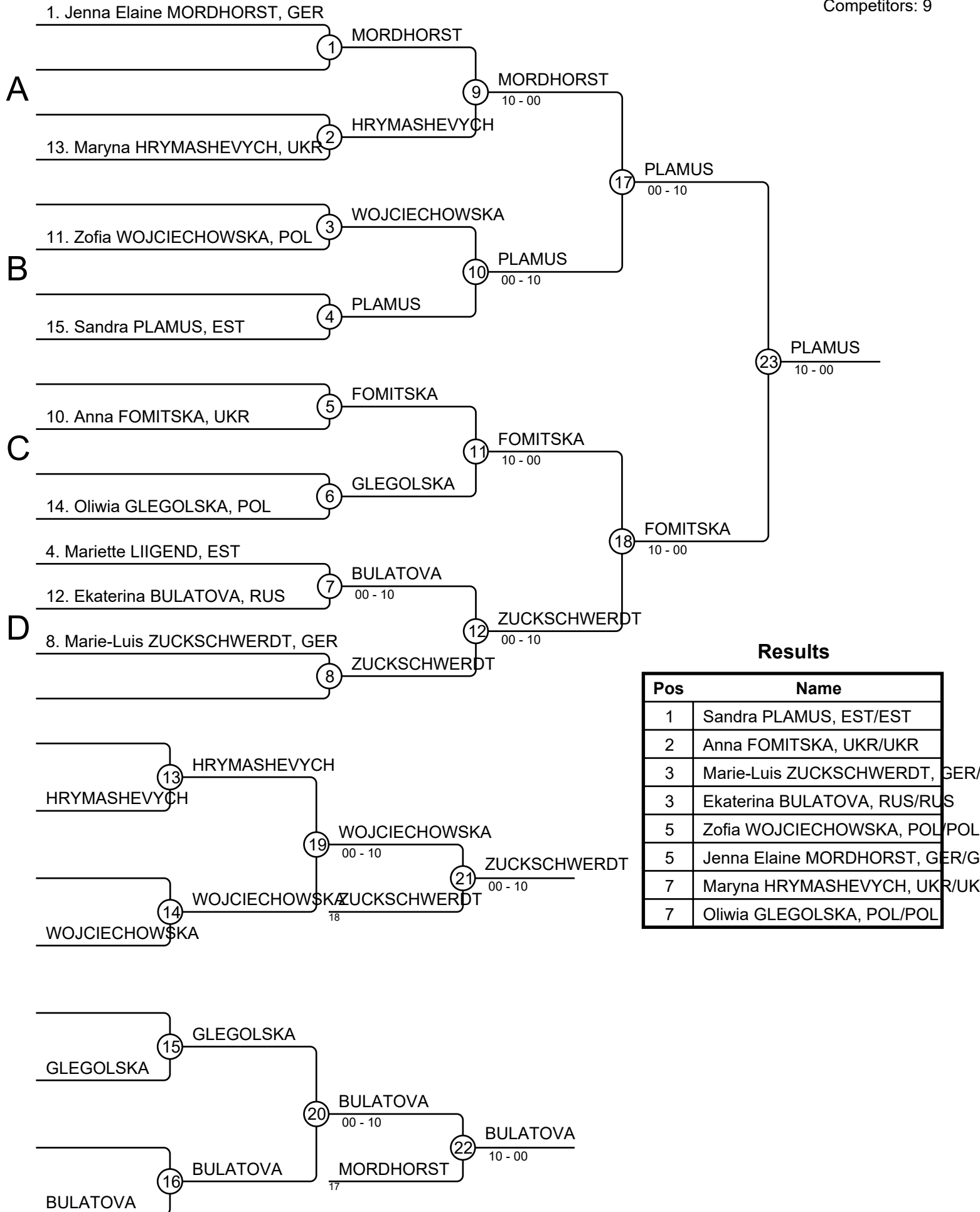


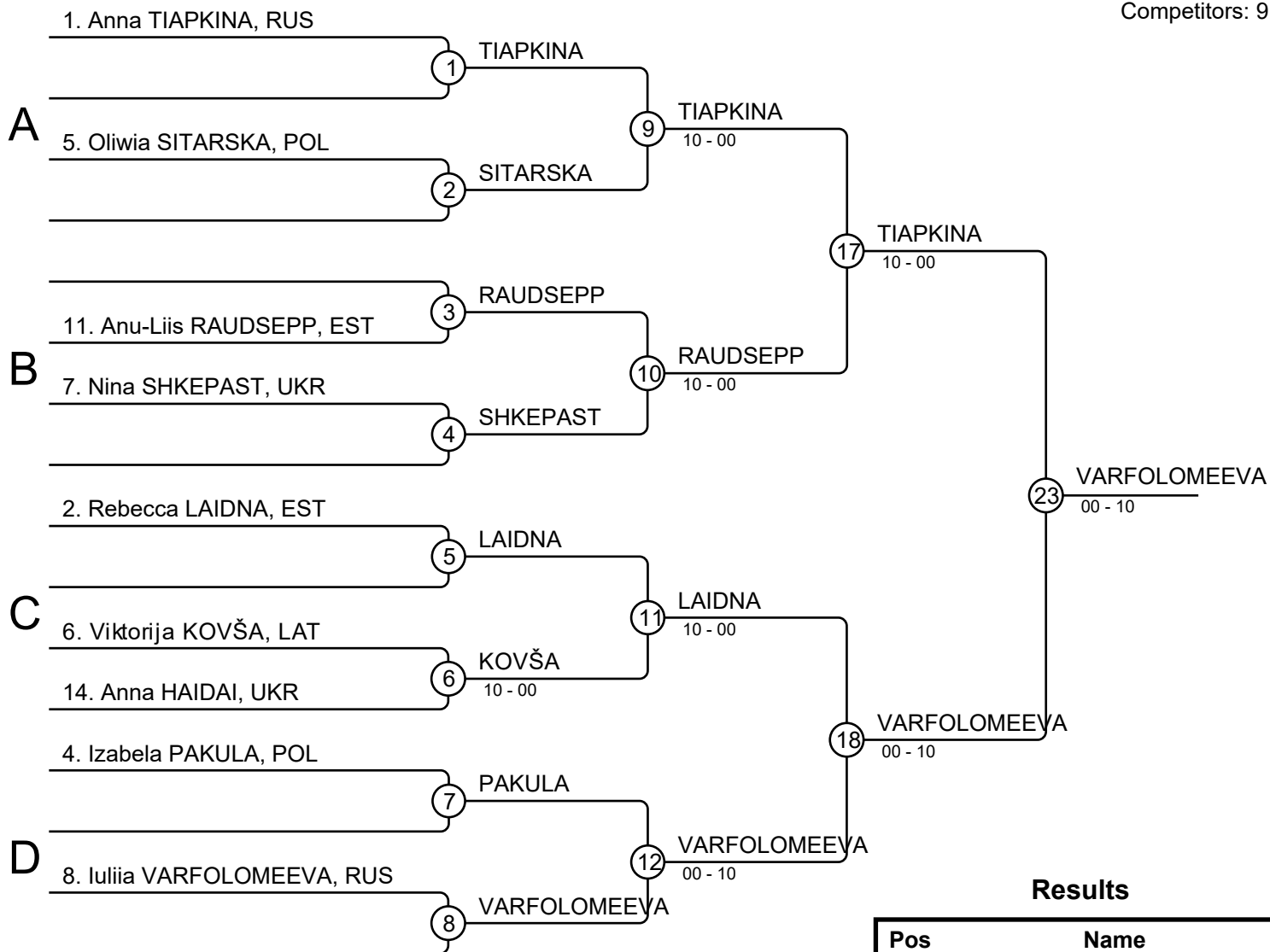
# Sumo Youth EC 26-28.10.2018 Estonia WU14+65

Competitors: 9



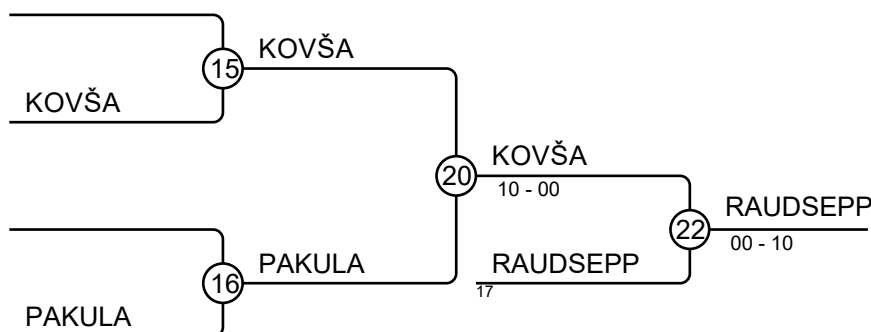
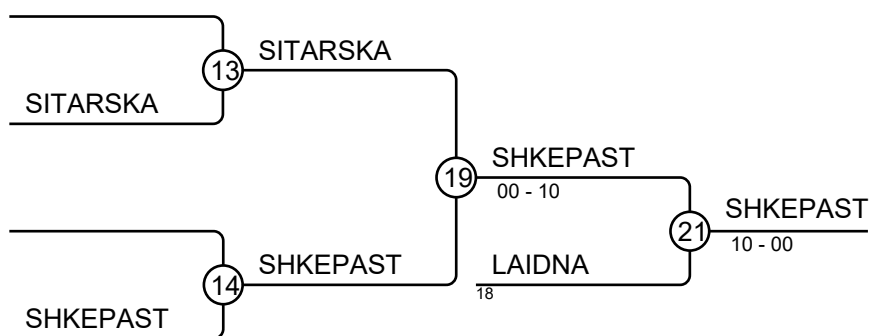
# Sumo Youth EC 26-28.10.2018 Estonia WU14-35

Competitors: 9



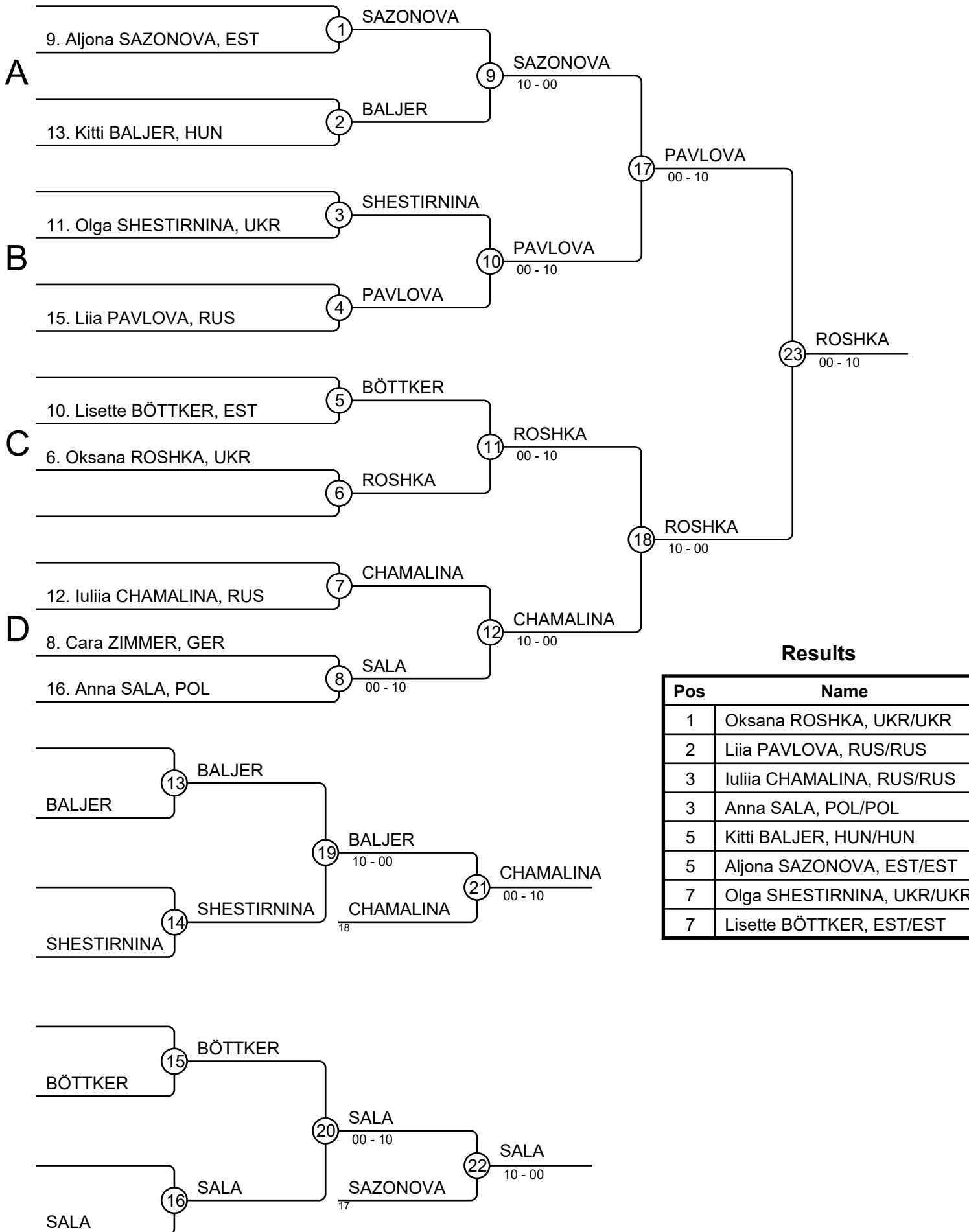
## Results

| Pos | Name                         |
|-----|------------------------------|
| 1   | Iuliia VARFOLOMEEVA, RUS/RUS |
| 2   | Anna TIAPKINA, RUS/RUS       |
| 3   | Nina SHKEPAST, UKR/UKR       |
| 3   | Anu-Liis RAUDSEPP, EST/EST   |
| 5   | Rebecca LAIDNA, EST/EST      |
| 5   | Viktorija KOVŠA, LAT/LAT     |
| 7   | Oliwia SITARSKA, POL/POL     |
| 7   | Izabela PAKULA, POL/POL      |



# Sumo Youth EC 26-28.10.2018 Estonia WU14-40

Competitors: 9

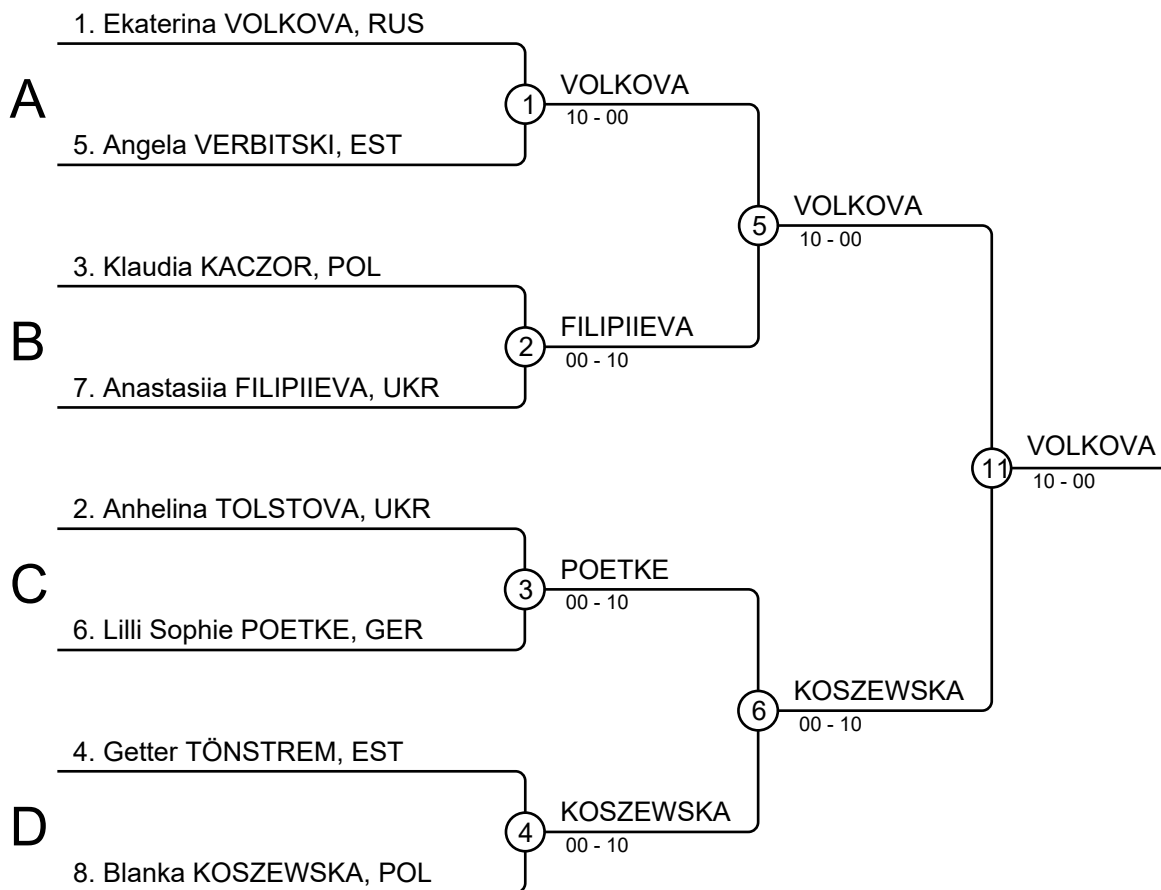


## Results

| Pos | Name                      |
|-----|---------------------------|
| 1   | Oksana ROSHKA, UKR/UKR    |
| 2   | Liia PAVLOVA, RUS/RUS     |
| 3   | Luliia CHAMALINA, RUS/RUS |
| 3   | Anna SALA, POL/POL        |
| 5   | Kitti BALJER, HUN/HUN     |
| 5   | Aljona SAZONOVA, EST/EST  |
| 7   | Olga SHESTIRNINA, UKR/UKR |
| 7   | Lisette BÖTTKER, EST/EST  |

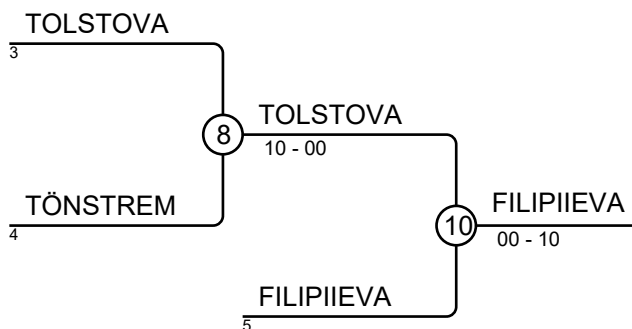
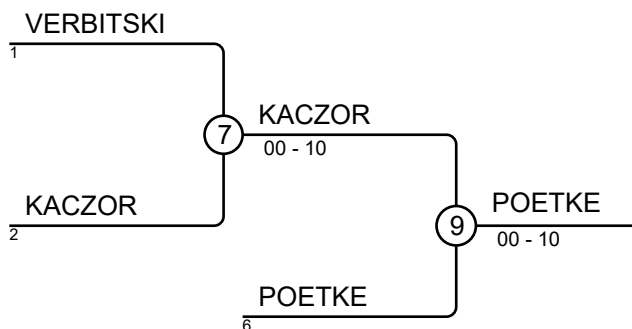
# Sumo Youth EC 26-28.10.2018 Estonia WU14-45

Competitors: 8



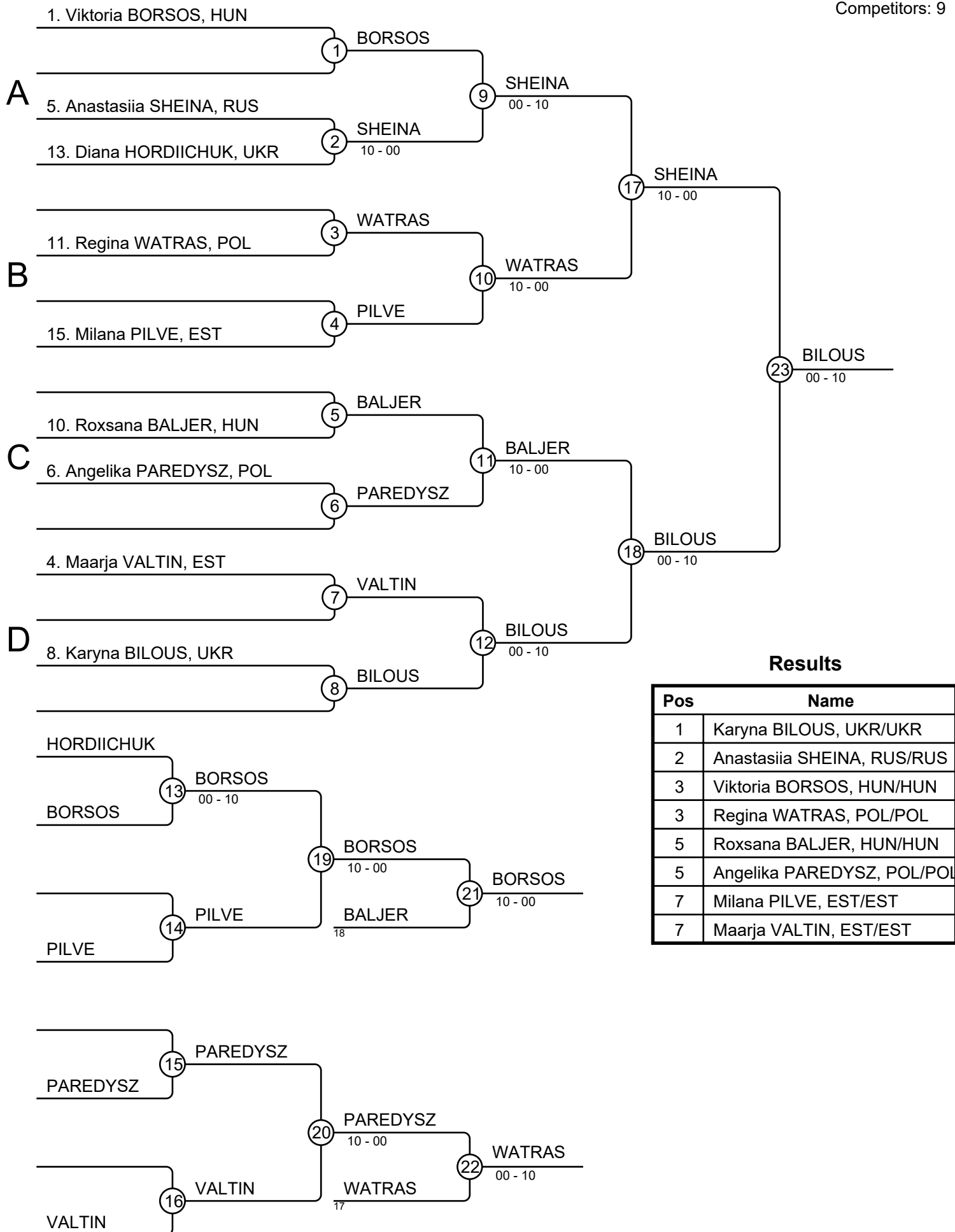
## Results

| Pos | Name                           |
|-----|--------------------------------|
| 1   | Ekaterina VOLKOVA, RUS/RUS     |
| 2   | Blanka KOSZEWSKA, POL/POL      |
| 3   | Lilli Sophie POETKE, GER/GER   |
| 3   | Anastasiia FILIPIIEVA, UKR/UKR |
| 5   | Klaudia KACZOR, POL/POL        |
| 5   | Anhelina TOLSTOVA, UKR/UKR     |
| 7   | Angela VERBITSKI, EST/EST      |
| 7   | Getter TÖNSTREM, EST/EST       |



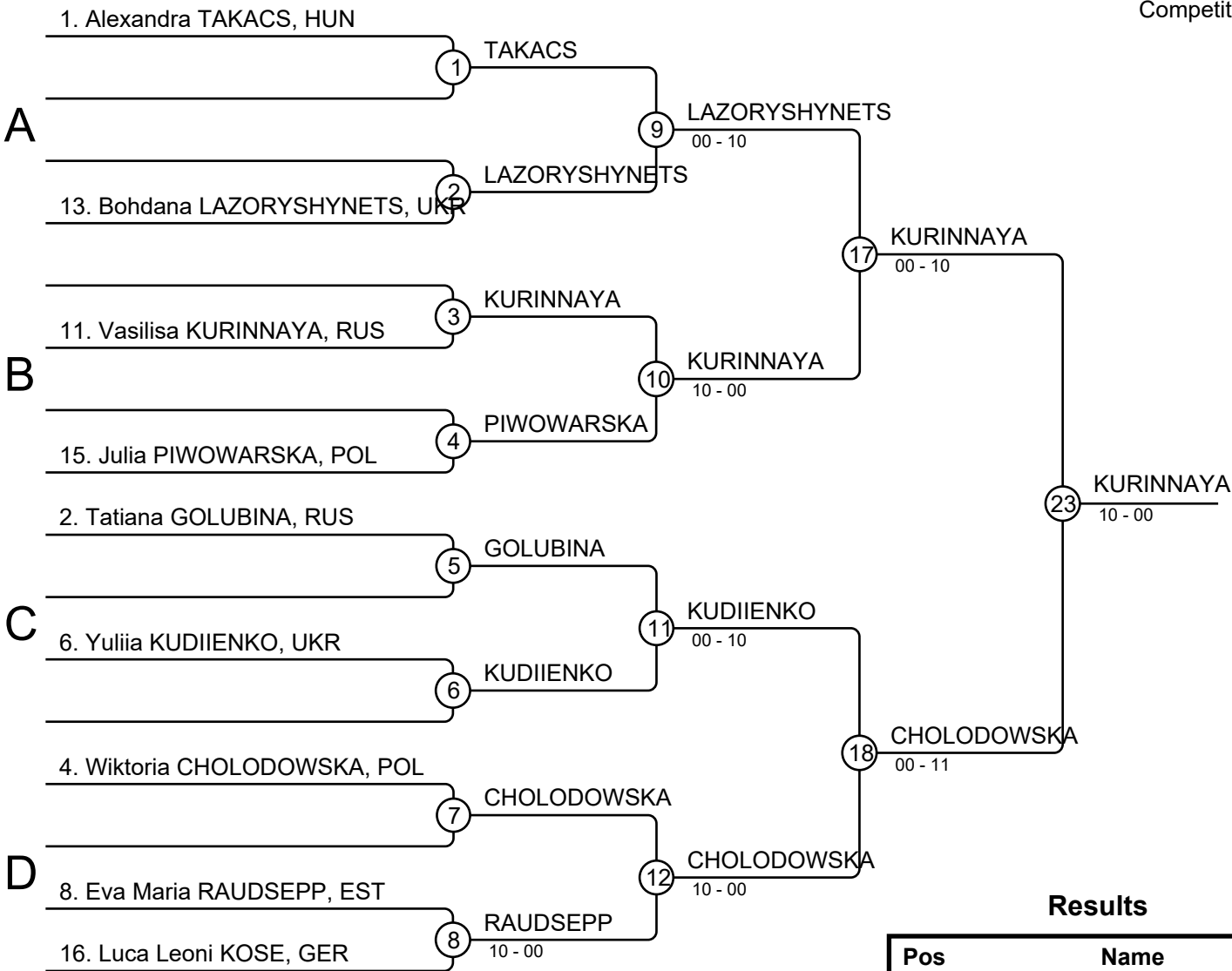
# Sumo Youth EC 26-28.10.2018 Estonia WU14-50

Competitors: 9



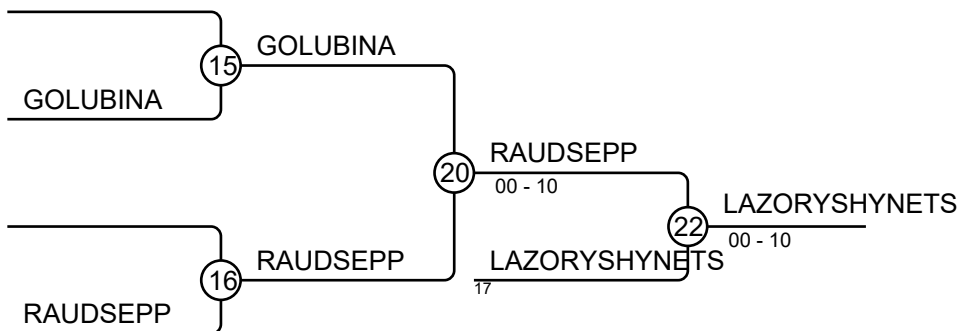
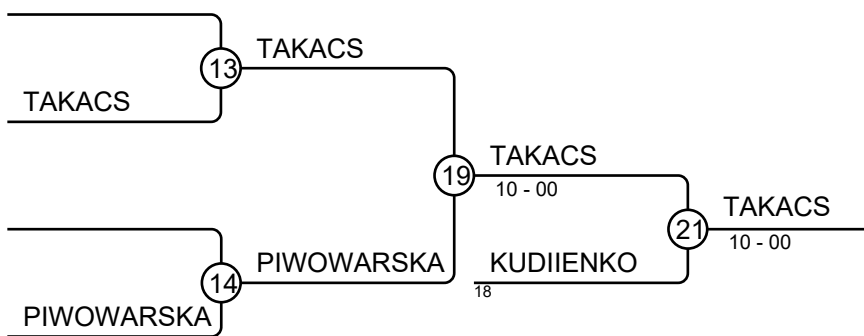
# Sumo Youth EC 26-28.10.2018 Estonia WU14-55

Competitors: 9



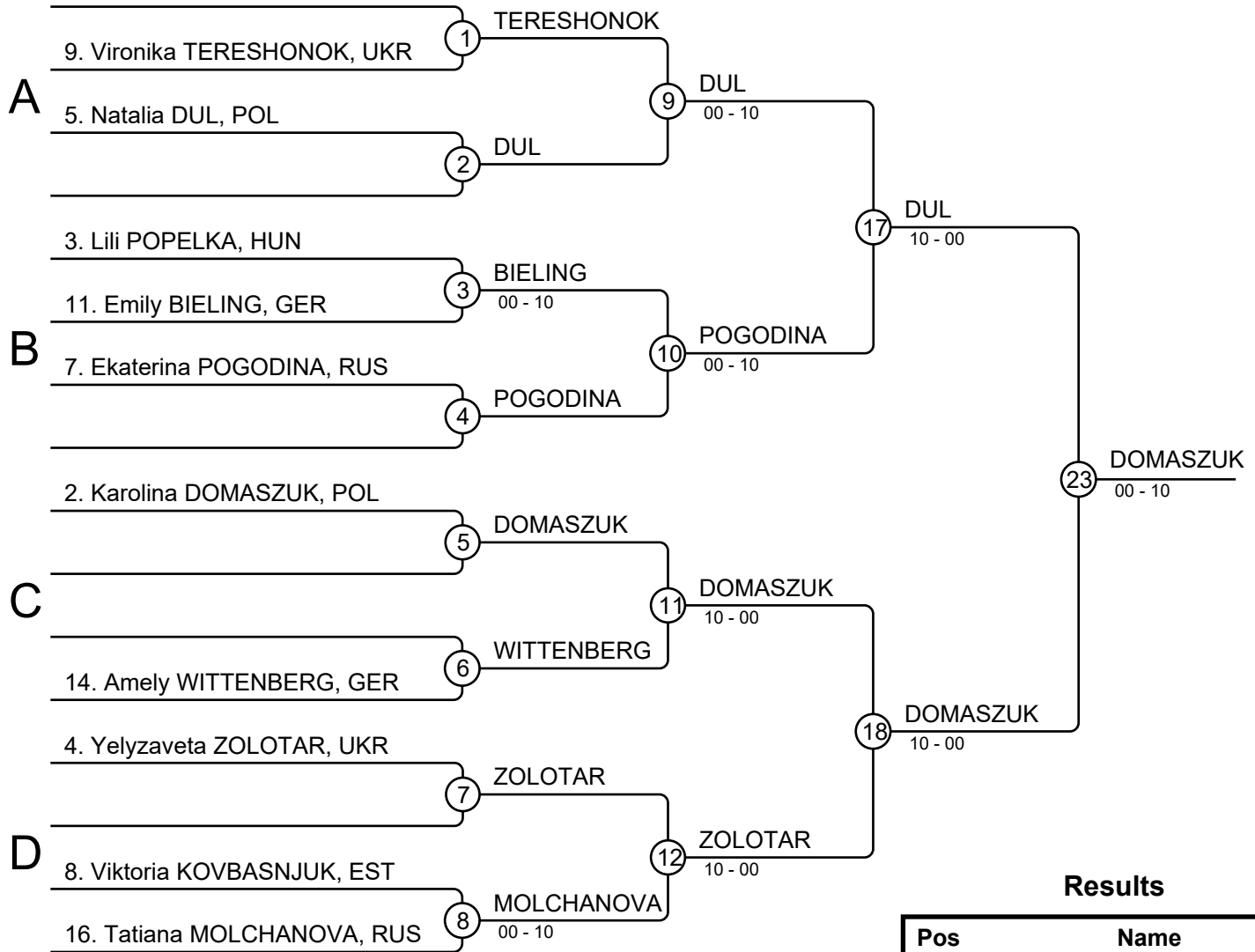
## Results

| Pos | Name                           |
|-----|--------------------------------|
| 1   | Vasilisa KURINNAYA, RUS/RUS    |
| 2   | Wiktoria CHOLODOWSKA, POL/POL  |
| 3   | Alexandra TAKACS, HUN/HUN      |
| 3   | Bohdana LAZORYSHYNETS, UKR/UKR |
| 5   | Yuliia KUDIENKO, UKR/UKR       |
| 5   | Eva Maria RAUDSEPP, EST/EST    |
| 7   | Julia PIWOWARSKA, POL/POL      |
| 7   | Tatiana GOLUBINA, RUS/RUS      |



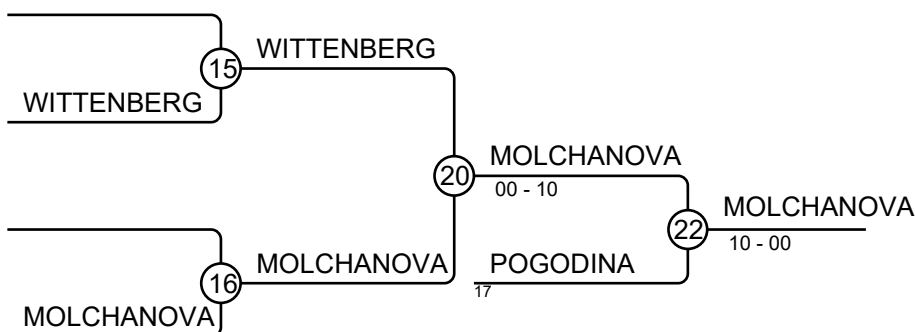
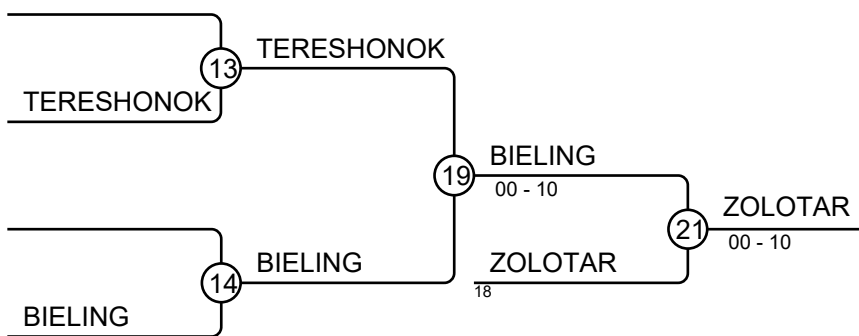
# Sumo Youth EC 26-28.10.2018 Estonia WU14-60

Competitors: 10



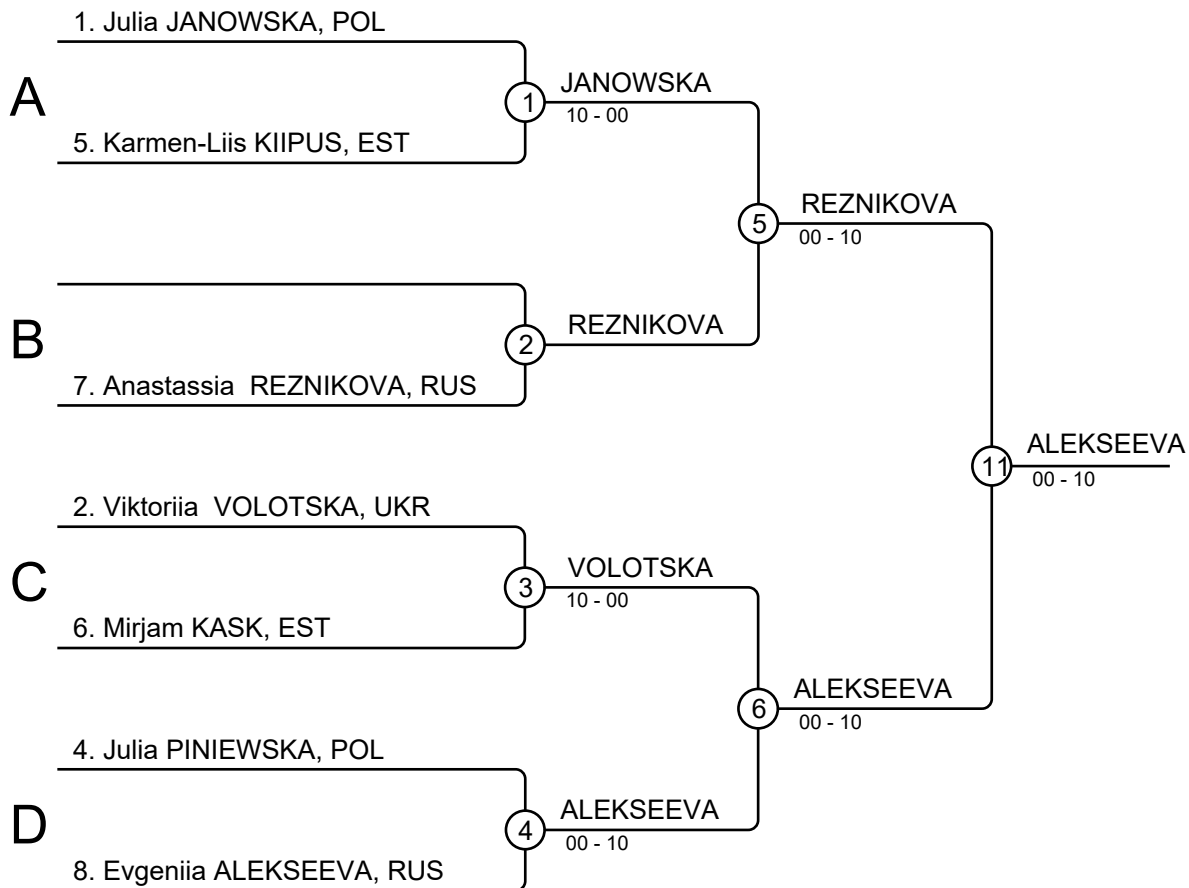
## Results

| Pos | Name                         |
|-----|------------------------------|
| 1   | Karolina DOMASZUK, POL/POL   |
| 2   | Natalia DUL, POL/POL         |
| 3   | Yelyzaveta ZOLOTAR, UKR/UKR  |
| 3   | Tatiana MOLCHANOVA, RUS/RUS  |
| 5   | Emily BIELING, GER/GER       |
| 5   | Ekaterina POGODINA, RUS/RUS  |
| 7   | Vironika TERESHONOK, UKR/UKR |
| 7   | Amely WITTENBERG, GER/GER    |



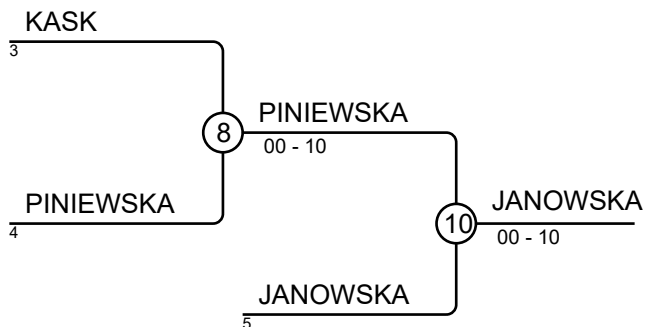
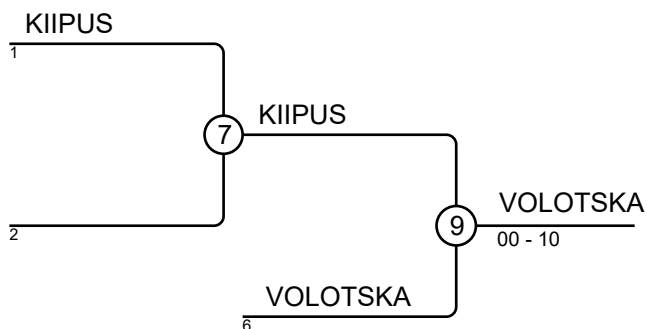
# Sumo Youth EC 26-28.10.2018 Estonia WU14-65

Competitors: 7



## Results

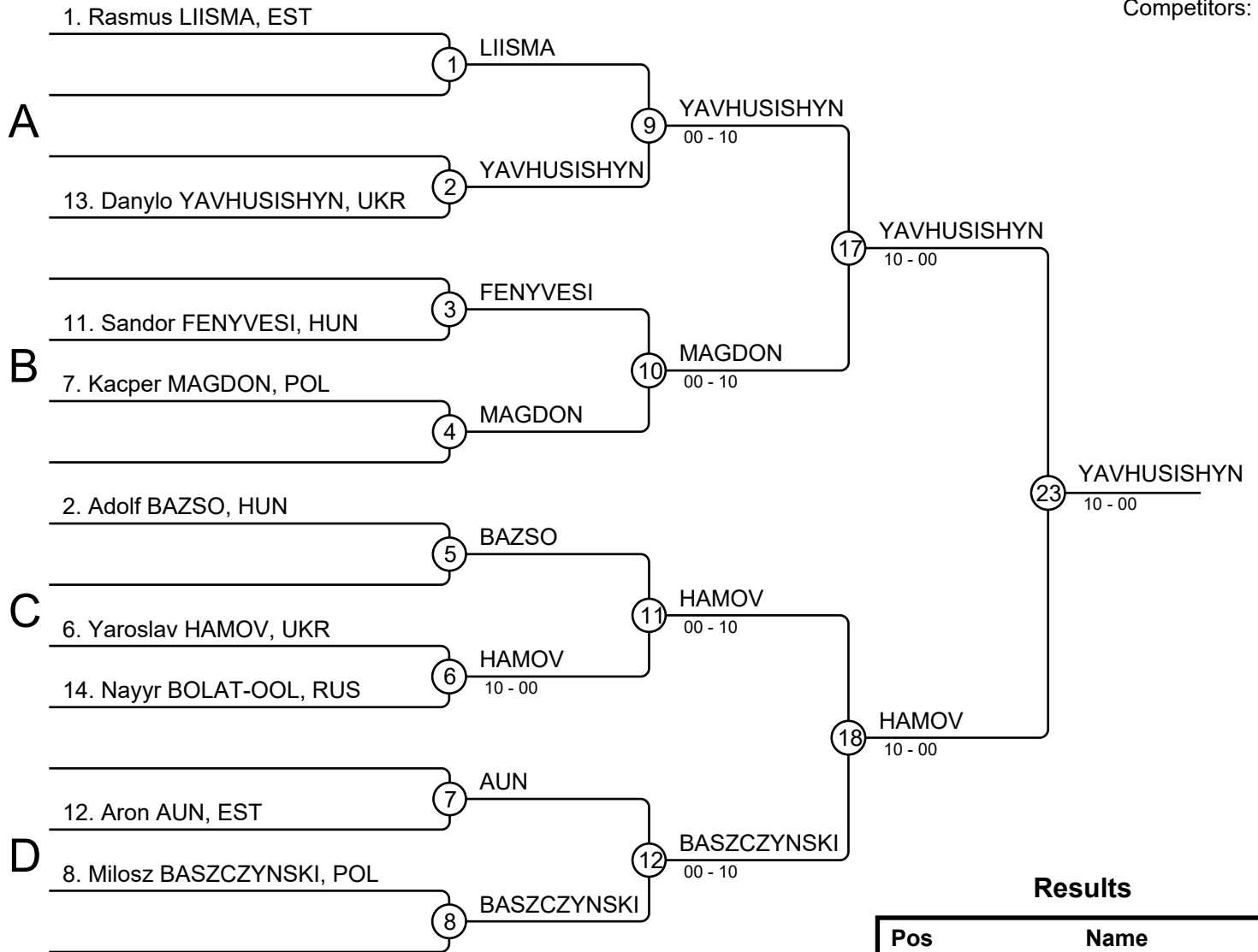
| Pos | Name                          |
|-----|-------------------------------|
| 1   | Evgeniia ALEKSEEVA, RUS/RUS   |
| 2   | Anastassia REZNIKOVA, RUS/RUS |
| 3   | Viktoria VOLOTSKA, UKR/UKR    |
| 3   | Julia JANOWSKA, POL/POL       |
| 5   | Karmen-Liis KIIPUS, EST/EST   |
| 5   | Julia PINIEWSKA, POL/POL      |
| 7   |                               |
| 7   | Mirjam KASK, EST/EST          |





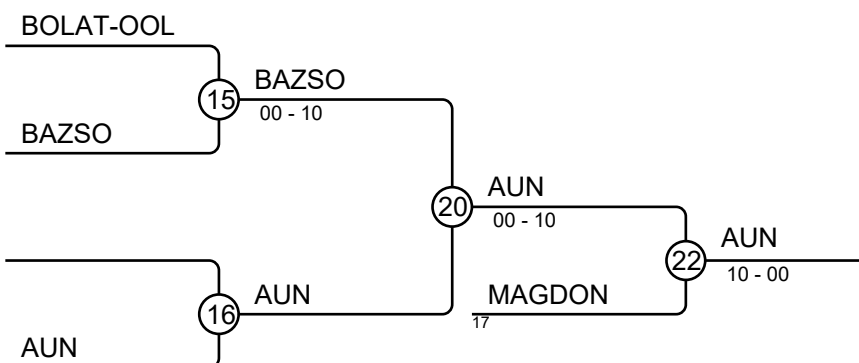
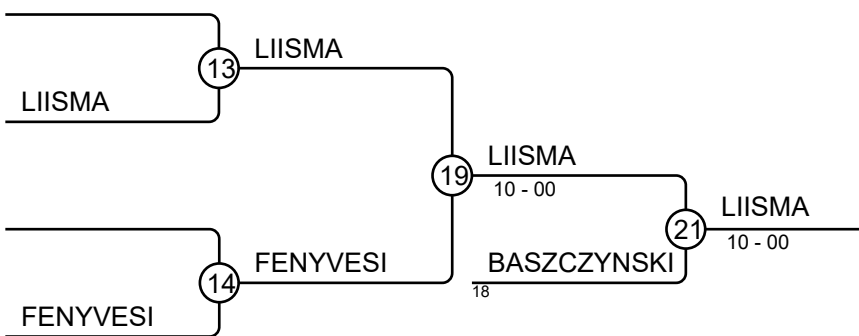
# Sumo Youth EC 26-28.10.2018 Estonia MU14+70

Competitors: 9



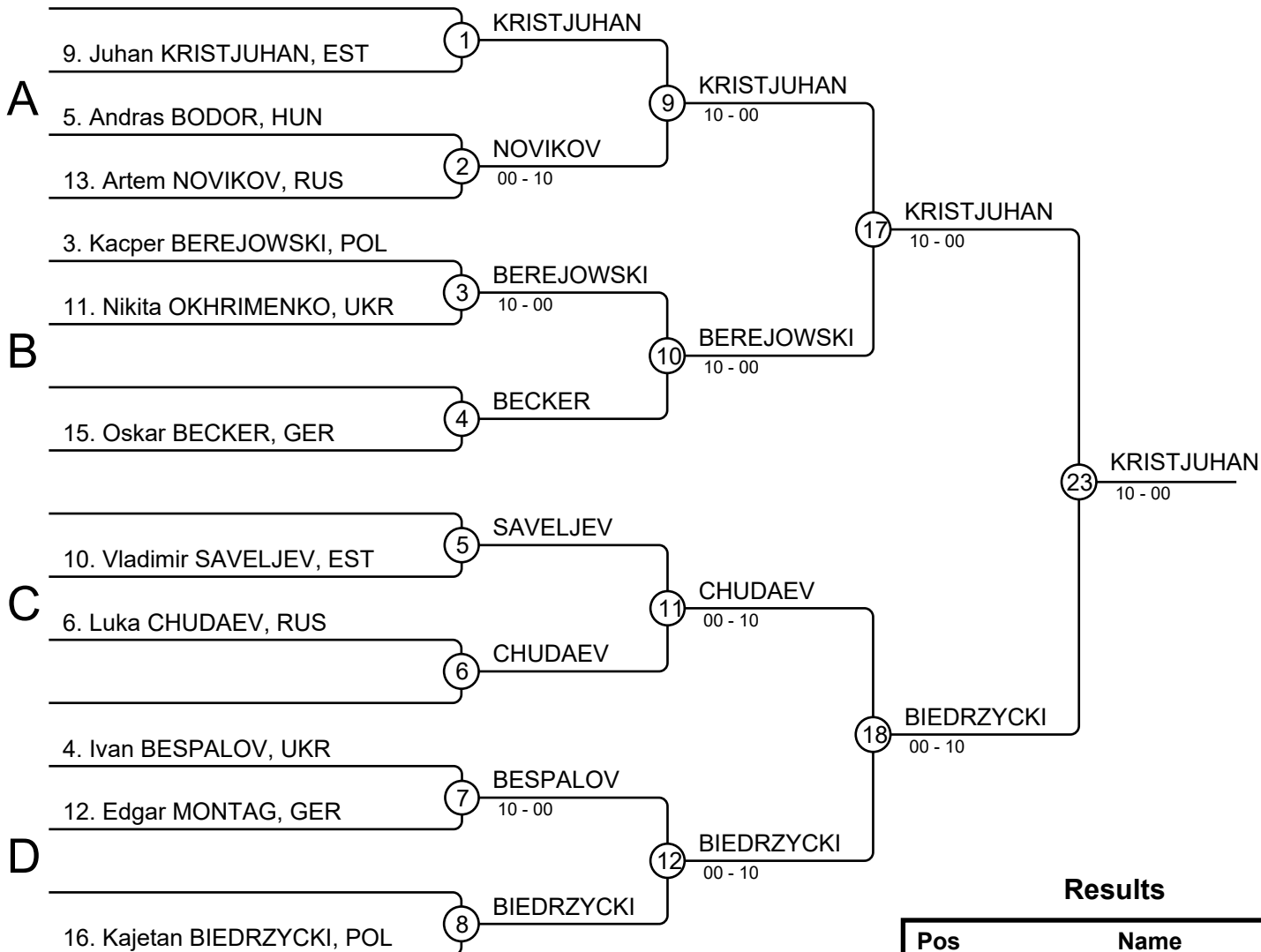
## Results

| Pos | Name                        |
|-----|-----------------------------|
| 1   | Danylo YAVHUSISHYN, UKR/UKR |
| 2   | Yaroslav HAMOV, UKR/UKR     |
| 3   | Rasmus LIISMA, EST/EST      |
| 3   | Aron AUN, EST/EST           |
| 5   | Milosz BASZCZYNSKI, POL/POL |
| 5   | Kacper MAGDON, POL/POL      |
| 7   | Sandor FENYVESI, HUN/HUN    |
| 7   | Adolf BAZSO, HUN/HUN        |



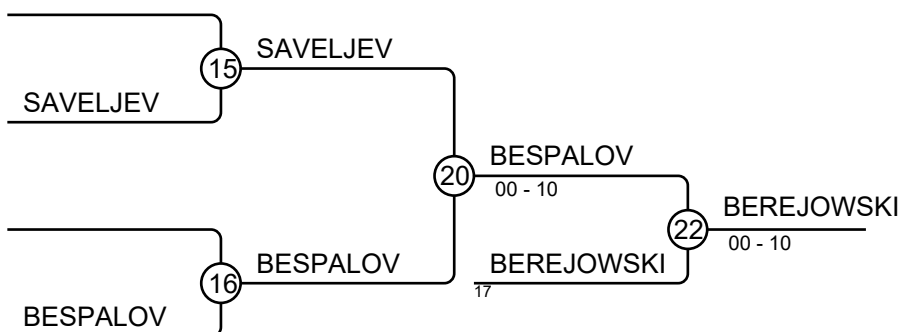
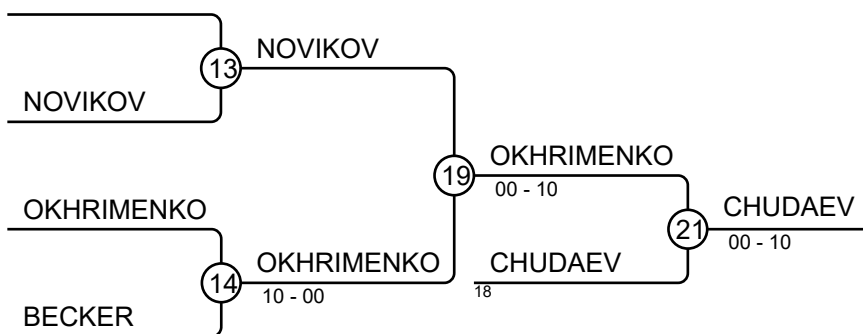
# Sumo Youth EC 26-28.10.2018 Estonia MU14-40

Competitors: 11



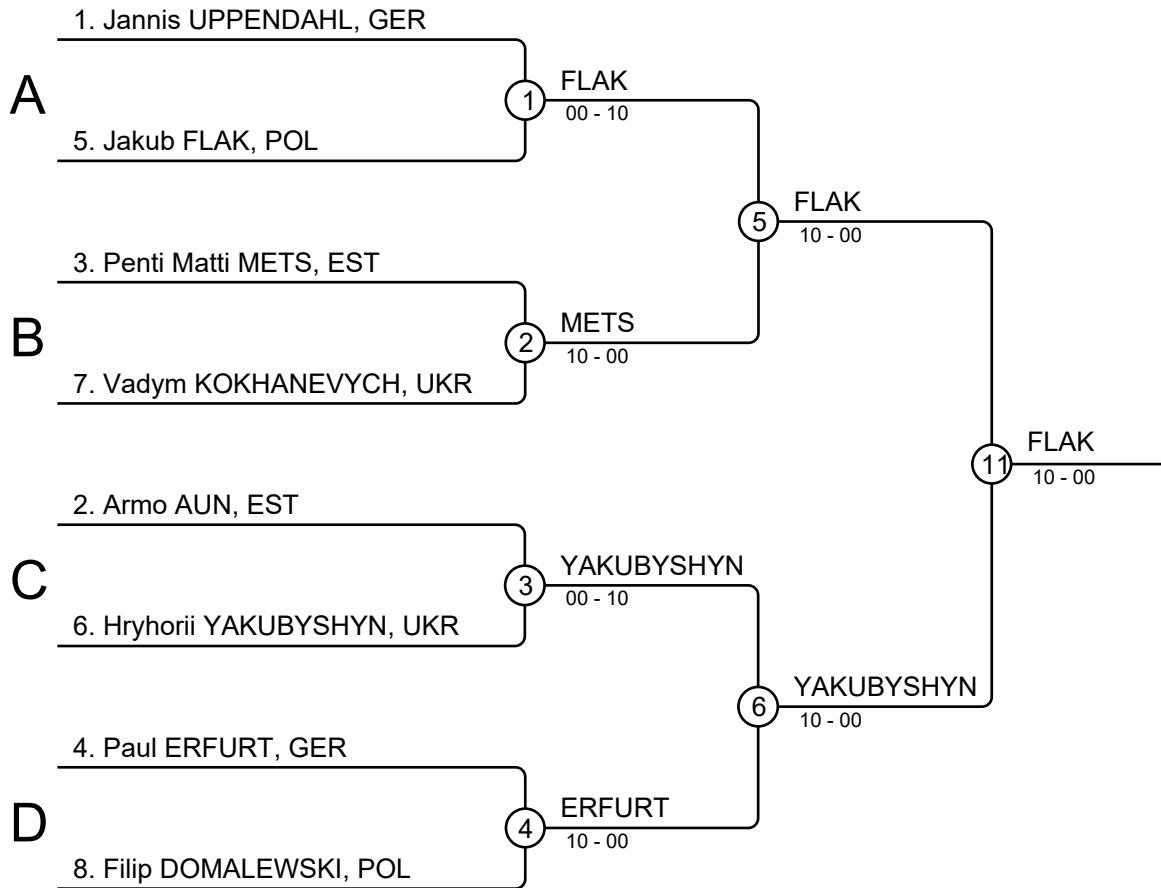
## Results

| Pos | Name                        |
|-----|-----------------------------|
| 1   | Juhan KRISTJUHAN, EST/EST   |
| 2   | Kajetan BIEDRZYCKI, POL/POL |
| 3   | Luka CHUDAEV, RUS/RUS       |
| 3   | Kacper BEREJOWSKI, POL/POL  |
| 5   | Nikita OKHRIMENKO, UKR/UKR  |
| 5   | Ivan BESPALOV, UKR/UKR      |
| 7   | Artem NOVIKOV, RUS/RUS      |
| 7   | Vladimir SAVELJEV, EST/EST  |



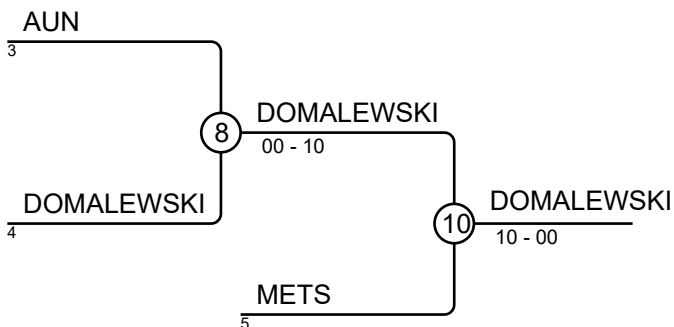
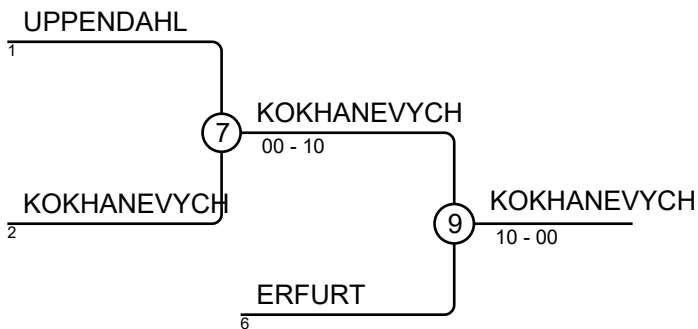
# Sumo Youth EC 26-28.10.2018 Estonia MU14-45

Competitors: 8



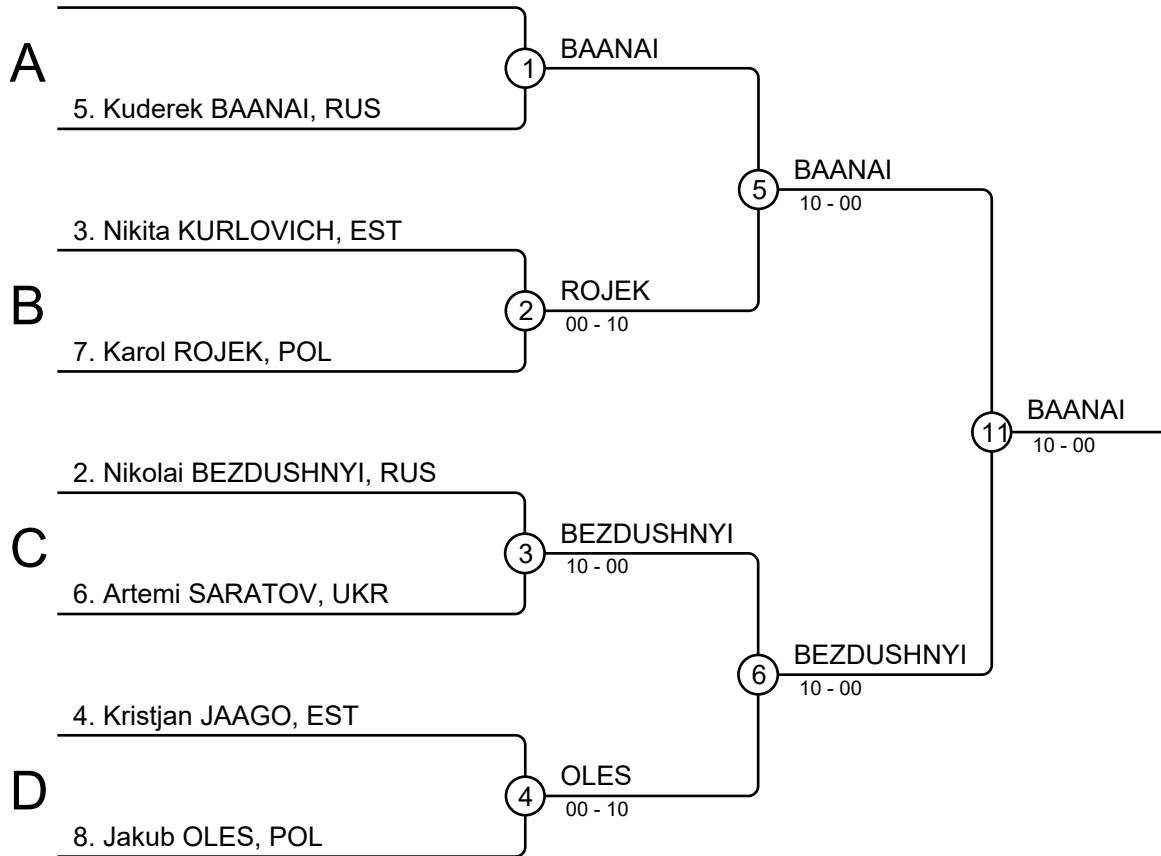
## Results

| Pos | Name                         |
|-----|------------------------------|
| 1   | Jakub FLAK, POL/POL          |
| 2   | Hryhorii YAKUBYSHYN, UKR/UKR |
| 3   | Vadym KOKHANEVYCH, UKR/UKR   |
| 3   | Filip DOMALEWSKI, POL/POL    |
| 5   | Paul ERFURT, GER/GER         |
| 5   | Pentti Matti METS, EST/EST   |
| 7   | Jannis UPPENDAHL, GER/GER    |
| 7   | Armo AUN, EST/EST            |



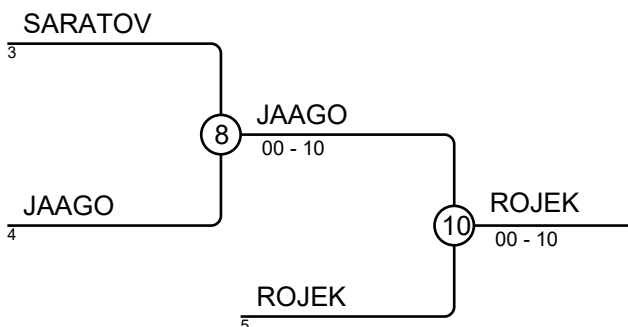
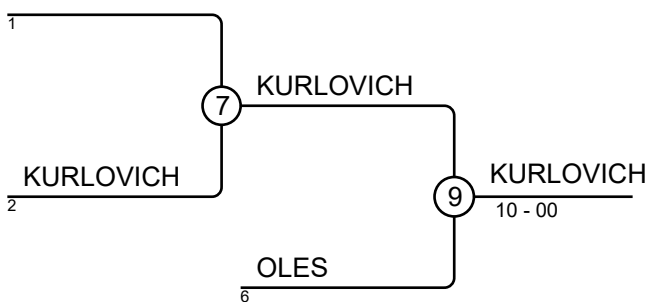
# Sumo Youth EC 26-28.10.2018 Estonia MU14-50

Competitors: 7



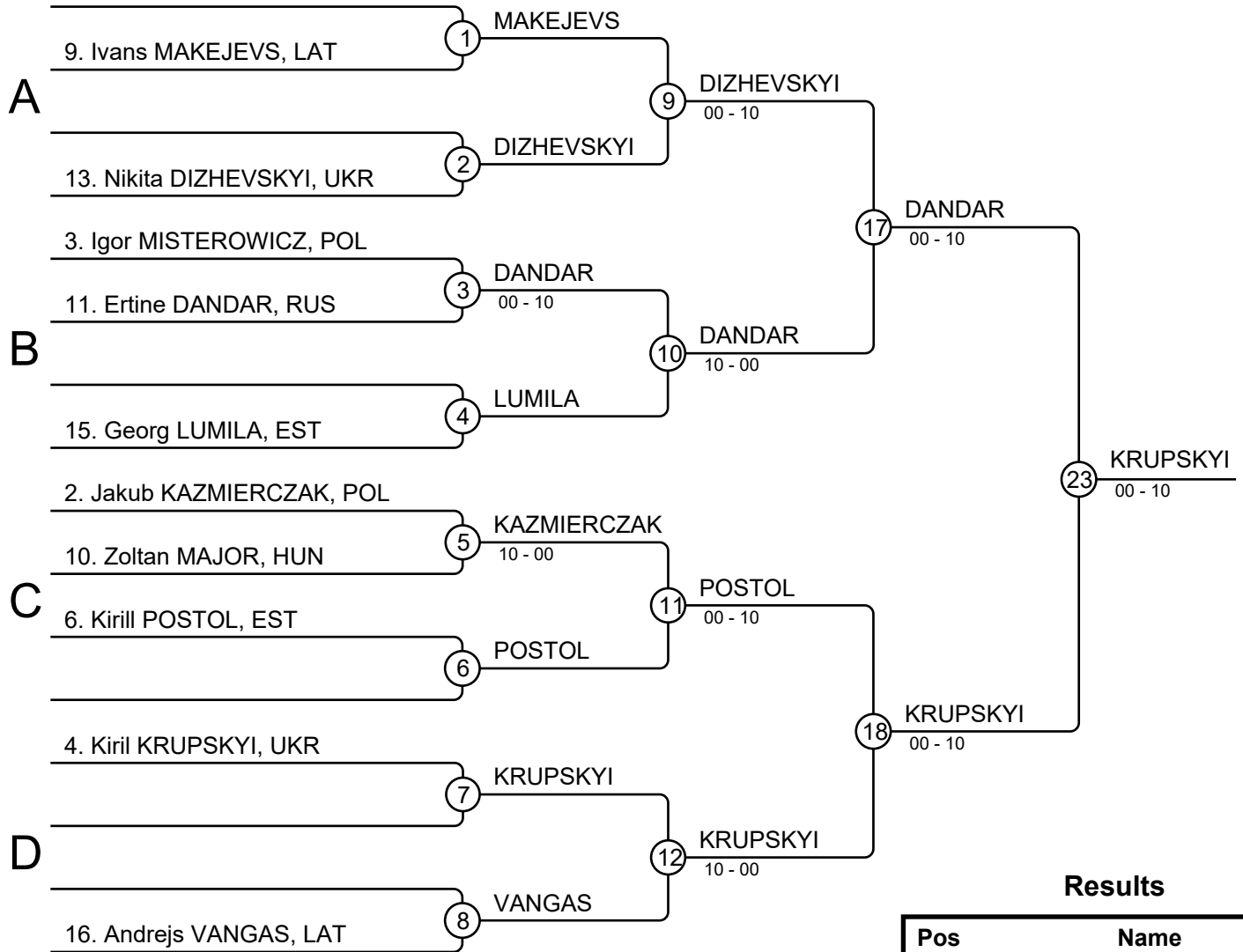
## Results

| Pos | Name                        |
|-----|-----------------------------|
| 1   | Kuderek BAANAI, RUS/RUS     |
| 2   | Nikolai BEZDUSHNYI, RUS/RUS |
| 3   | Nikita KURLOVICH, EST/EST   |
| 3   | Karol ROJEK, POL/POL        |
| 5   | Jakub OLES, POL/POL         |
| 5   | Kristjan JAAGO, EST/EST     |
| 7   |                             |
| 7   | Artemi SARATOV, UKR/UKR     |



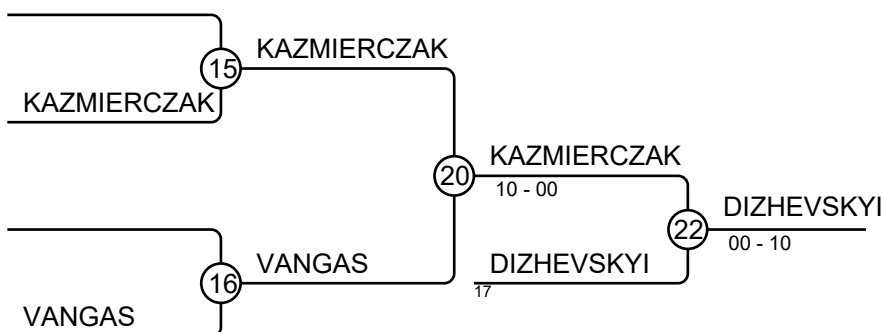
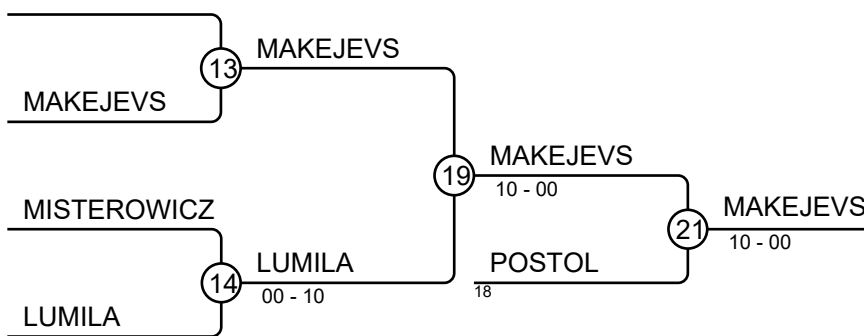
# Sumo Youth EC 26-28.10.2018 Estonia MU14-55

Competitors: 10



## Results

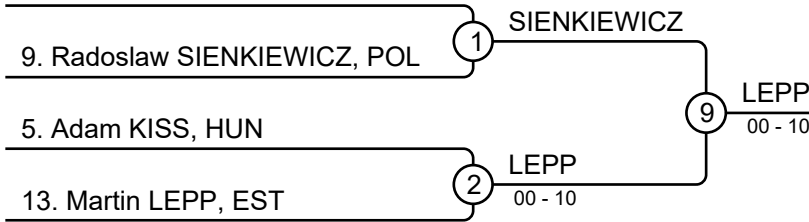
| Pos | Name                       |
|-----|----------------------------|
| 1   | Kiril KRUPSKYI, UKR/UKR    |
| 2   | Ertine DANDAR, RUS/RUS     |
| 3   | Ivans MAKEJEVS, LAT/LAT    |
| 3   | Nikita DIZHEVSKYI, UKR/UKR |
| 5   | Kirill POSTOL, EST/EST     |
| 5   | Jakub KAZMIERCZAK, POL/POL |
| 7   | Georg LUMILA, EST/EST      |
| 7   | Andrejs VANGAS, LAT/LAT    |



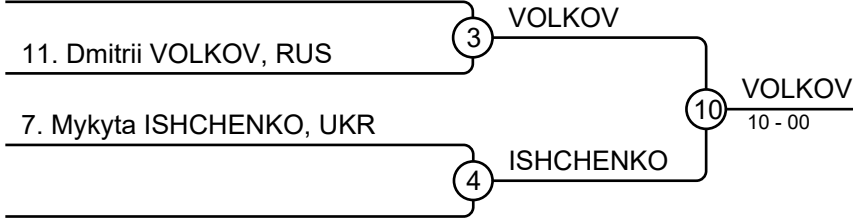
# Sumo Youth EC 26-28.10.2018 Estonia MU14-60

Competitors: 9

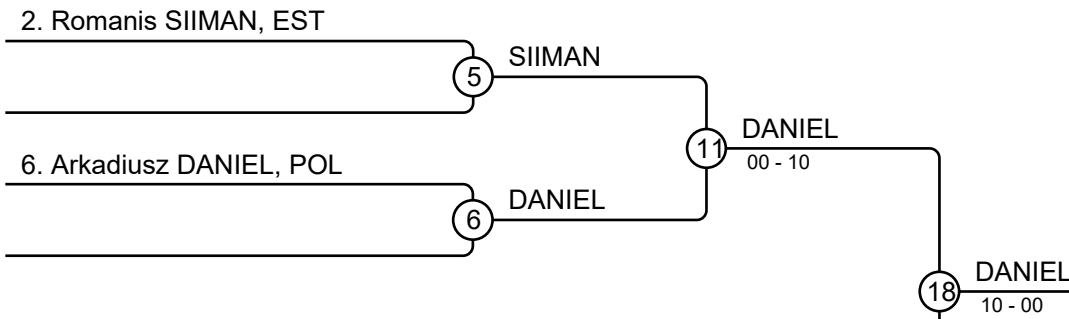
**A**



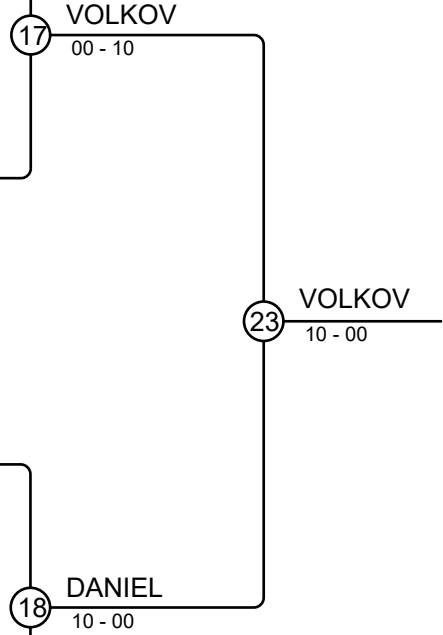
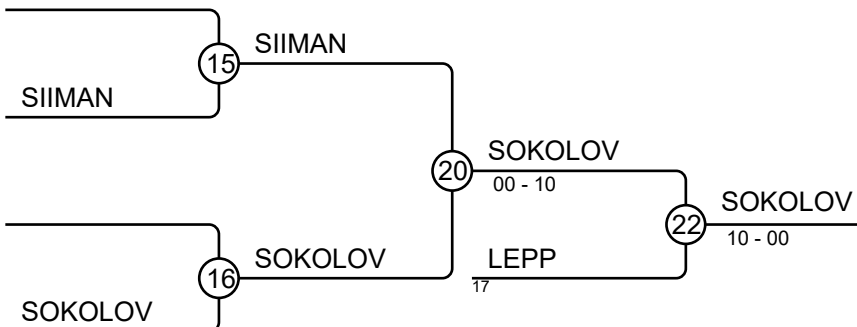
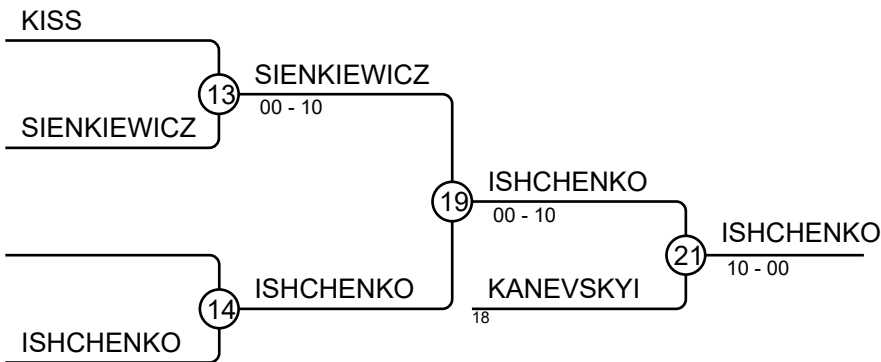
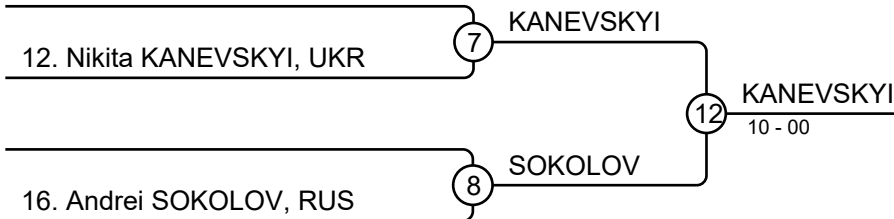
**B**



**C**



**D**

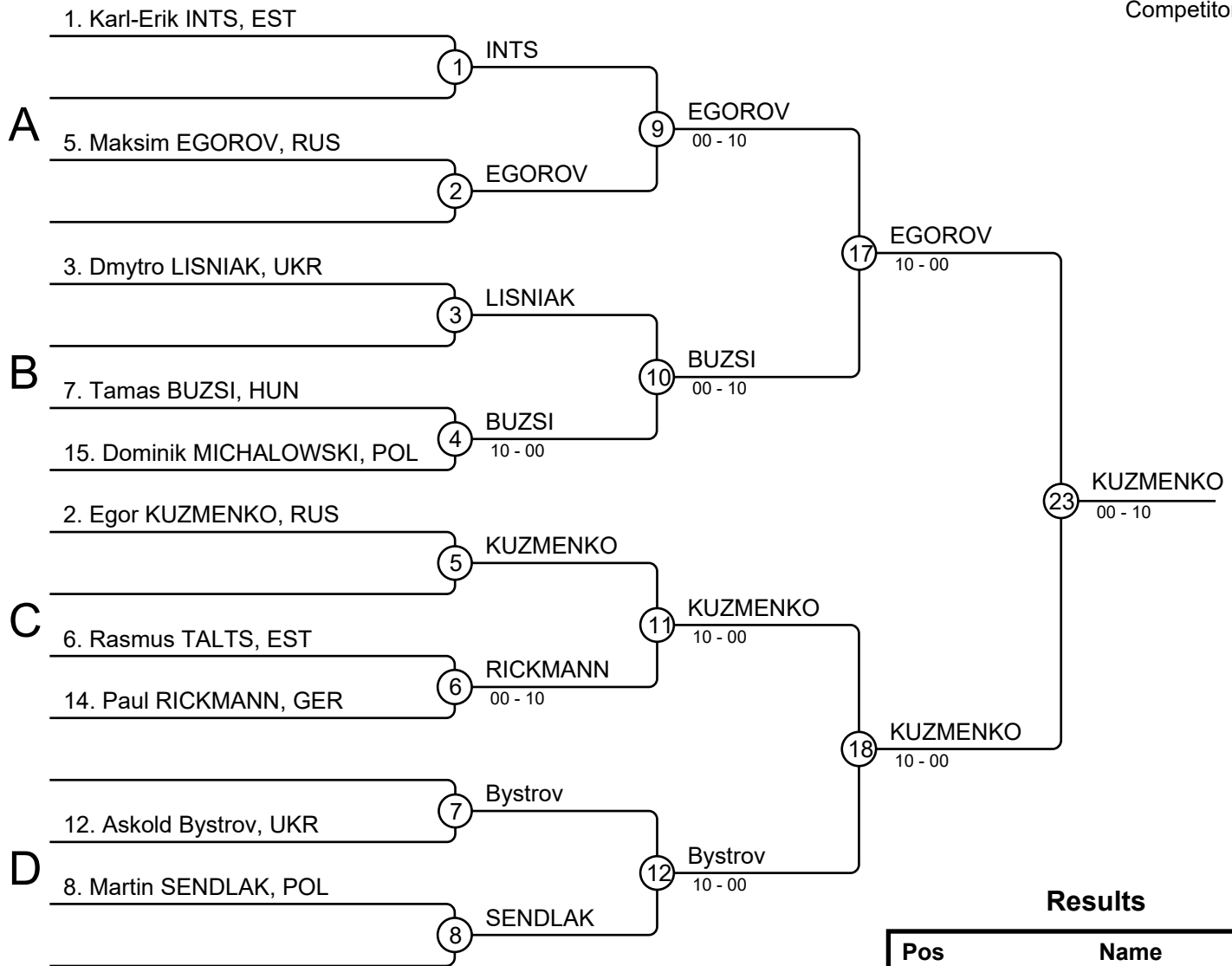


## Results

| Pos | Name                          |
|-----|-------------------------------|
| 1   | Dmitrii VOLKOV, RUS/RUS       |
| 2   | Arkadiusz DANIEL, POL/POL     |
| 3   | Mykyta ISHCENKO, UKR/UKR      |
| 3   | Andrei SOKOLOV, RUS/RUS       |
| 5   | Nikita KANEVSKYI, UKR/UKR     |
| 5   | Martin LEPP, EST/EST          |
| 7   | Radoslaw SIENKIEWICZ, POL/POL |
| 7   | Romanis SIIMAN, EST/EST       |

# Sumo Youth EC 26-28.10.2018 Estonia MU14-65

Competitors: 10

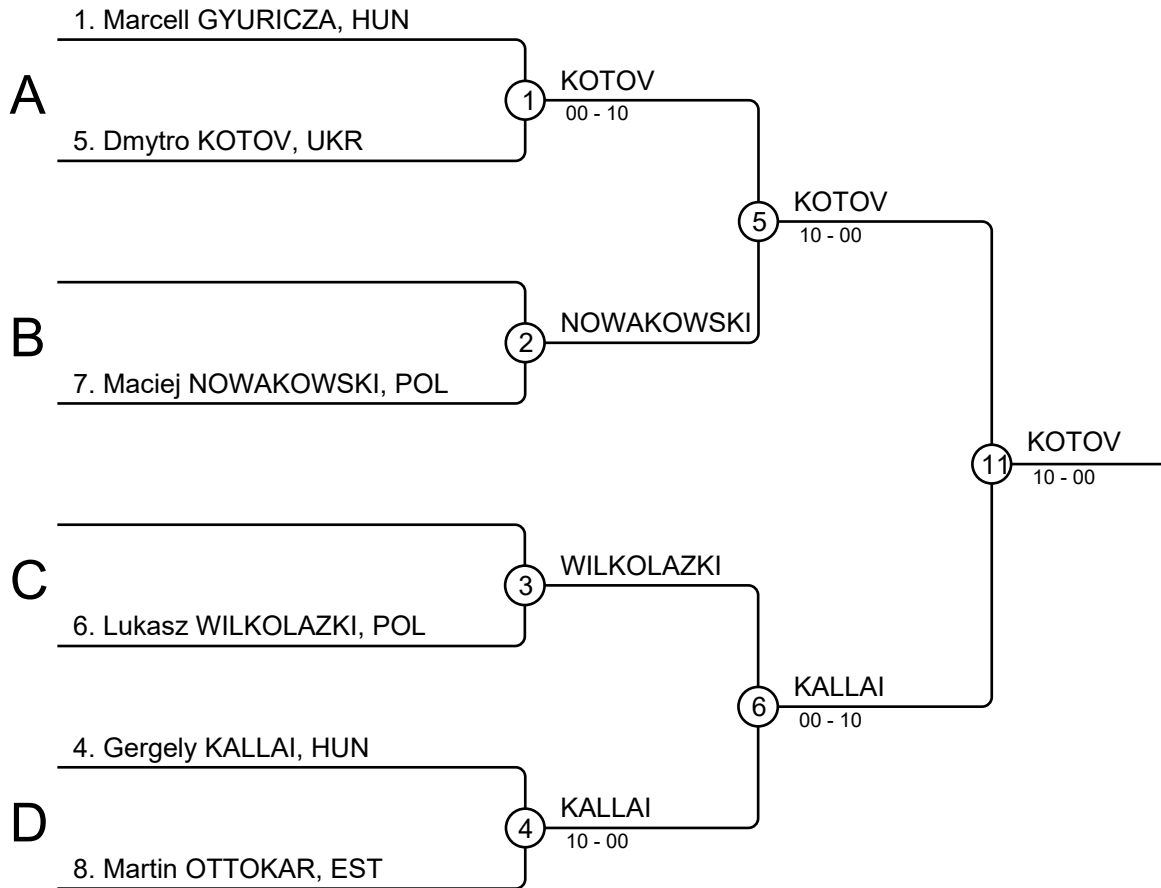


## Results

| Pos | Name                         |
|-----|------------------------------|
| 1   | Egor KUZMENKO, RUS/RUS       |
| 2   | Maksim EGOROV, RUS/RUS       |
| 3   | Dominik MICHALOWSKI, POL/POL |
| 3   | Martin SENDLAK, POL/POL      |
| 5   | Askold Bystrov, UKR/UKR      |
| 5   | Tamas BUZSI, HUN/HUN         |
| 7   | Karl-Erik INTS, EST/EST      |
| 7   | Paul RICKMANN, GER/GER       |

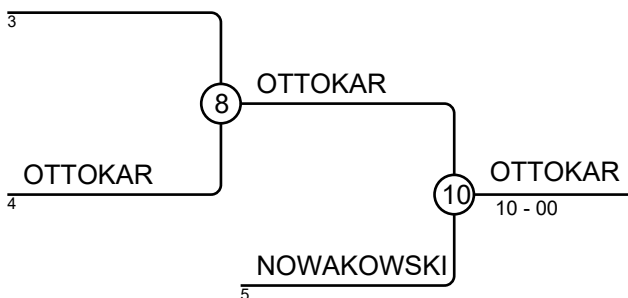
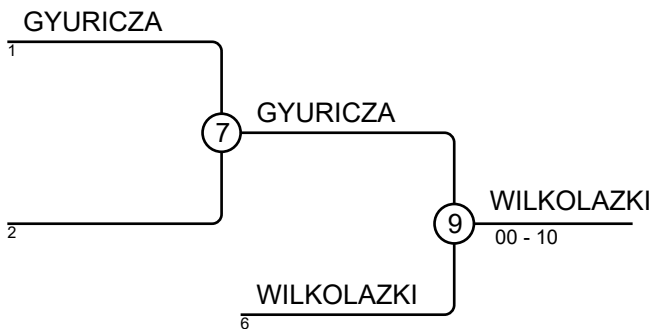
# Sumo Youth EC 26-28.10.2018 Estonia MU14-70

Competitors: 6



## Results

| Pos | Name                       |
|-----|----------------------------|
| 1   | Dmytro KOTOV, UKR/UKR      |
| 2   | Gergely KALLAI, HUN/HUN    |
| 3   | Lukasz WILKOLAZKI, POL/POL |
| 3   | Martin OTTOKAR, EST/EST    |
| 5   | Marcell GYURICZA, HUN/HUN  |
| 5   | Maciej NOWAKOWSKI, POL/POL |
| 7   |                            |
| 7   |                            |





# Sumo Youth EC 26-28.10.2018 Estonia WU14

Competitors

Competitors: 5

| # | Name    | Grade | Club | 1   | 2   | 3   | 4   | 5   | Wins | Pts | Pos |
|---|---------|-------|------|-----|-----|-----|-----|-----|------|-----|-----|
| 1 | ESTONIA | ?     |      |     | 2/0 | 2/0 |     | 2/0 | 3    | 0   | 2   |
| 2 | POLAND  | ?     |      |     |     |     |     |     | 0    | 0   | 5   |
| 3 | GERMANY | ?     |      |     | 2/0 |     |     | 2/0 | 2    | 0   | 3   |
| 4 | RUSSIA  | ?     |      | 2/0 | 2/0 | 2/0 |     |     | 3    | 0   | 1   |
| 5 | UKRAINE | ?     |      |     | 3/0 |     | 2/0 |     | 2    | 0   | 3   |

## Matches

| Match | White          | Blue    | Result  | Time |
|-------|----------------|---------|---------|------|
| 1     | RUSSIA<br>4 5  | UKRAINE | 1/0-2/0 | 0:25 |
| 2     | ESTONIA<br>1 2 | POLAND  | 2/0-1/0 | 0:00 |
| 3     | GERMANY<br>3 4 | RUSSIA  | 1/0-2/0 | 0:10 |
| 4     | ESTONIA<br>1 5 | UKRAINE | 2/0-1/0 | 0:00 |
| 5     | POLAND<br>2 3  | GERMANY | 1/0-2/0 | 0:10 |
| 6     | ESTONIA<br>1 4 | RUSSIA  | 1/0-2/0 | 0:16 |
| 7     | GERMANY<br>3 5 | UKRAINE | 2/0-1/0 | 0:08 |
| 8     | POLAND<br>2 4  | RUSSIA  | 1/0-2/0 | 0:10 |
| 9     | ESTONIA<br>1 3 | GERMANY | 2/0-1/0 | 1:13 |
| 10    | POLAND<br>2 5  | UKRAINE | 0/0-3/0 | 0:00 |

## Results

| Pos | Name     |
|-----|----------|
| 1   | RUSSIA,  |
| 2   | ESTONIA, |
| 3   | GERMANY, |
| 3   | UKRAINE, |
| 5   | POLAND,  |

# Sumo Youth EC 26-28.10.2018 Estonia MU14

Competitors

Competitors: 5

| # | Name | Grade | Club | 1   | 2 | 3   | 4   | 5   | Wins | Pts | Pos |
|---|------|-------|------|-----|---|-----|-----|-----|------|-----|-----|
| 1 | RUS  | ?     |      |     |   | 2/0 |     | 3/0 | 2    | 0   | 3   |
| 2 | UKR  | ?     |      | 2/0 |   | 3/0 | 2/0 | 3/0 | 4    | 0   | 1   |
| 3 | EST  | ?     |      |     |   |     |     |     | 0    | 0   | 5   |
| 4 | POL  | ?     |      | 3/0 |   | 2/0 |     | 2/0 | 3    | 0   | 2   |
| 5 | HUN  | ?     |      |     |   | 2/0 |     |     | 1    | 0   | 3   |

## Matches

| Match | White   | Blue | Result  | Time |
|-------|---------|------|---------|------|
| 1     | POL 4 5 | HUN  | 2/0-1/0 | 0:12 |
| 2     | RUS 1 2 | UKR  | 1/0-2/0 | 0:10 |
| 3     | EST 3 4 | POL  | 1/0-2/0 | 0:09 |
| 4     | RUS 1 5 | HUN  | 3/0-0/0 | 0:00 |
| 5     | UKR 2 3 | EST  | 3/0-0/0 | 0:00 |
| 6     | RUS 1 4 | POL  | 0/0-3/0 | 0:10 |
| 7     | EST 3 5 | HUN  | 1/0-2/0 | 0:08 |
| 8     | UKR 2 4 | POL  | 2/0-1/0 | 0:11 |
| 9     | RUS 1 3 | EST  | 2/0-1/0 | 0:10 |
| 10    | UKR 2 5 | HUN  | 3/0-0/0 | 0:17 |

## Results

| Pos | Name |
|-----|------|
| 1   | UKR, |
| 2   | POL, |
| 3   | RUS, |
| 3   | HUN, |
| 5   | EST, |

| <b>MU14 TEAMS</b> |                    |                   |  |
|-------------------|--------------------|-------------------|--|
| <b>ESTONIA</b>    |                    |                   |  |
| <b>DIVISION</b>   | <b>FAMILY NAME</b> | <b>GIVEN NAME</b> |  |
| <b>SENPO</b>      | Ottokar            | Martin            |  |
| First             |                    |                   |  |
| <b>CHUKEN</b>     | Liisma             | Rasmus            |  |
| <b>Second</b>     |                    |                   |  |
| <b>TAISHO</b>     | Aun                | Aron              |  |
| Last              |                    |                   |  |
| <b>SUBSTITUTE</b> |                    |                   |  |
|                   |                    |                   |  |
| <b>RUSSIA</b>     |                    |                   |  |
| <b>DIVISION</b>   | <b>FAMILY NAME</b> | <b>GIVEN NAME</b> |  |
| <b>SENPO</b>      | Kuzmenko           | Egor              |  |
| First             |                    |                   |  |
| <b>CHUKEN</b>     | Volkov             | Dmitrii           |  |
| <b>Second</b>     |                    |                   |  |
| <b>TAISHO</b>     | Egorov             | Maksim            |  |
| Last              |                    |                   |  |
| <b>SUBSTITUTE</b> |                    |                   |  |
|                   |                    |                   |  |
|                   |                    |                   |  |
| <b>POLAND</b>     |                    |                   |  |
| <b>DIVISION</b>   | <b>FAMILY NAME</b> | <b>GIVEN NAME</b> |  |
| <b>SENPO</b>      | Magdon             | Kacper            |  |
| First             |                    |                   |  |
| <b>CHUKEN</b>     | Baszczynski        | Milosz            |  |
| <b>Second</b>     |                    |                   |  |
| <b>TAISHO</b>     | Wilkolaski         | Lukasz            |  |
| Last              |                    |                   |  |
| <b>SUBSTITUTE</b> |                    |                   |  |
|                   |                    |                   |  |
|                   |                    |                   |  |

| <b>HUNGARY</b>    |                    |                   |  |
|-------------------|--------------------|-------------------|--|
| <b>DIVISION</b>   | <b>FAMILY NAME</b> | <b>GIVEN NAME</b> |  |
| <b>SENPO</b>      | Balso              | Adolf             |  |
| First             |                    |                   |  |
| <b>CHUKEN</b>     | Guuricza           | Marcell           |  |
| Second            |                    |                   |  |
| <b>TAISHO</b>     | Kallai             | Gergo             |  |
| Last              |                    |                   |  |
| <b>SUBSTITUTE</b> |                    |                   |  |
|                   |                    |                   |  |
|                   |                    |                   |  |

| <b>UKRAINE</b>    |                    |                   |  |
|-------------------|--------------------|-------------------|--|
| <b>DIVISION</b>   | <b>FAMILY NAME</b> | <b>GIVEN NAME</b> |  |
| <b>SENPO</b>      | Yavusishyn         | Danylo            |  |
| First             |                    |                   |  |
| <b>CHUKEN</b>     | Hamov              | Yaroslav          |  |
| Second            |                    |                   |  |
| <b>TAISHO</b>     | Kotov              | Dmitro            |  |
| Last              |                    |                   |  |
| <b>SUBSTITUTE</b> |                    |                   |  |
|                   |                    |                   |  |
|                   |                    |                   |  |

| <b>WU14 TEAMS</b> |                    |                   |  |
|-------------------|--------------------|-------------------|--|
| <b>ESTONIA</b>    |                    |                   |  |
| <b>DIVISION</b>   | <b>FAMILY NAME</b> | <b>GIVEN NAME</b> |  |
| <b>SENPO</b>      | Raudsepp           | Eva-Maria         |  |
| First             |                    |                   |  |
| <b>CHUKEN</b>     | Plamus             | Sandra            |  |
| <b>Second</b>     |                    |                   |  |
| <b>TAISHO</b>     | Ligend             | Mariete           |  |
| Last              |                    |                   |  |
| <b>SUBSTITUTE</b> |                    |                   |  |
|                   |                    |                   |  |
| <b>GERMANY</b>    |                    |                   |  |
| <b>DIVISION</b>   | <b>FAMILY NAME</b> | <b>GIVEN NAME</b> |  |
| <b>SENPO</b>      | Kose               | Luca Leoni        |  |
| First             |                    |                   |  |
| <b>CHUKEN</b>     | Zuckschwerdt       | Marie Luis        |  |
| <b>Second</b>     |                    |                   |  |
| <b>TAISHO</b>     | Bieling            | Emily             |  |
| Last              |                    |                   |  |
| <b>SUBSTITUTE</b> |                    |                   |  |
|                   |                    |                   |  |
|                   |                    |                   |  |
| <b>POLAND</b>     |                    |                   |  |
| <b>DIVISION</b>   | <b>FAMILY NAME</b> | <b>GIVEN NAME</b> |  |
| <b>SENPO</b>      | Glegolska          | Oliwia            |  |
| First             |                    |                   |  |
| <b>CHUKEN</b>     | Pinewska           | Julia             |  |
| <b>Second</b>     |                    |                   |  |
| <b>TAISHO</b>     | Wojciechowska      | Zofia             |  |
| Last              |                    |                   |  |
| <b>SUBSTITUTE</b> |                    |                   |  |
|                   |                    |                   |  |
|                   |                    |                   |  |

| RUSSIA     |             |            |  |
|------------|-------------|------------|--|
| DIVISION   | FAMILY NAME | GIVEN NAME |  |
| SENPO      | Bulatova    | Ekaterina  |  |
| First      |             |            |  |
| CHUKEN     | Reznikova   | Anastasiia |  |
| Second     |             |            |  |
| TAISHO     | Alekseeva   | Evgeniia   |  |
| Last       |             |            |  |
| SUBSTITUTE |             |            |  |
|            |             |            |  |
|            |             |            |  |

| UKRAINE    |             |            |  |
|------------|-------------|------------|--|
| DIVISION   | FAMILY NAME | GIVEN NAME |  |
| SENPO      | Hrebenchiuk | Iryna      |  |
| First      |             |            |  |
| CHUKEN     | Fomilska    | Anna       |  |
| Second     |             |            |  |
| TAISHO     | Lkashova    | Valenlina  |  |
| Last       |             |            |  |
| SUBSTITUTE |             |            |  |
|            |             |            |  |
|            |             |            |  |