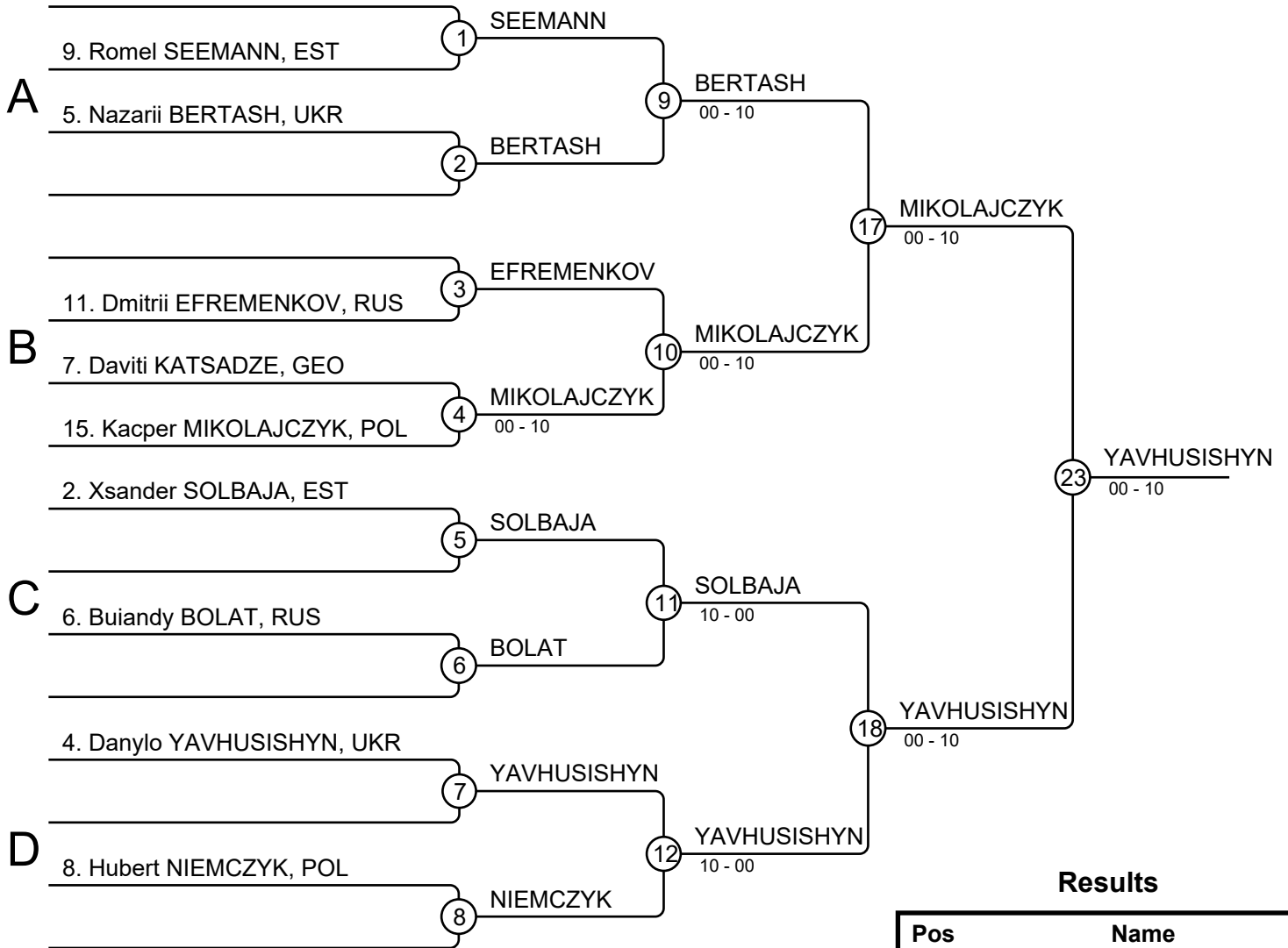


Sumo Youth EC 26-28.10.2018 Estonia MU16ABS

Competitors: 9

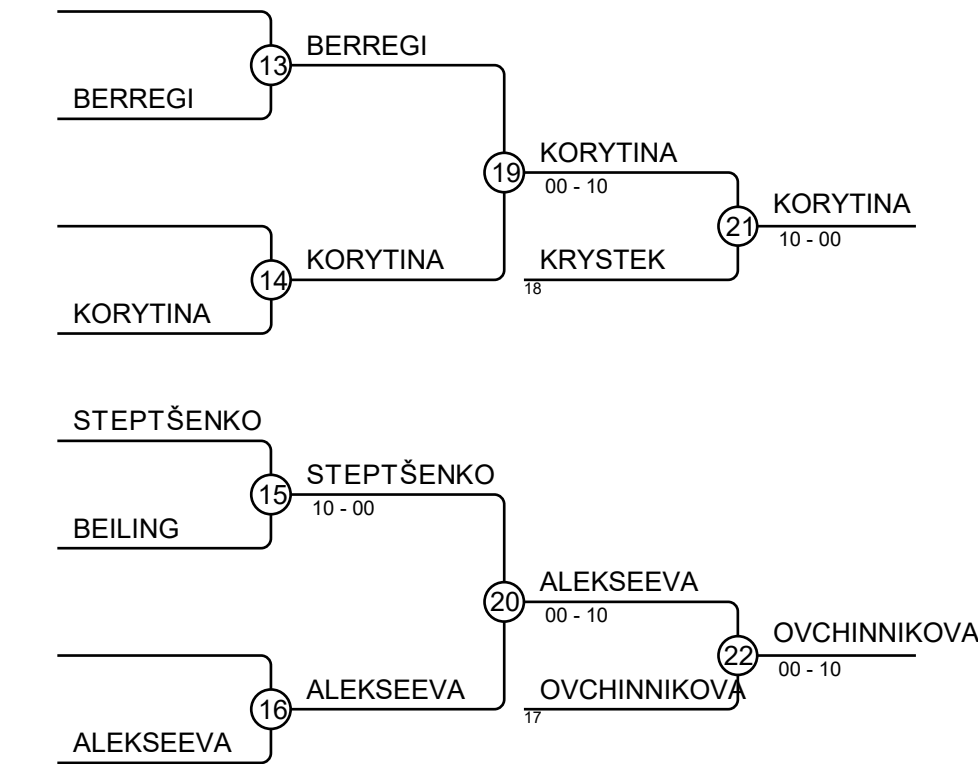
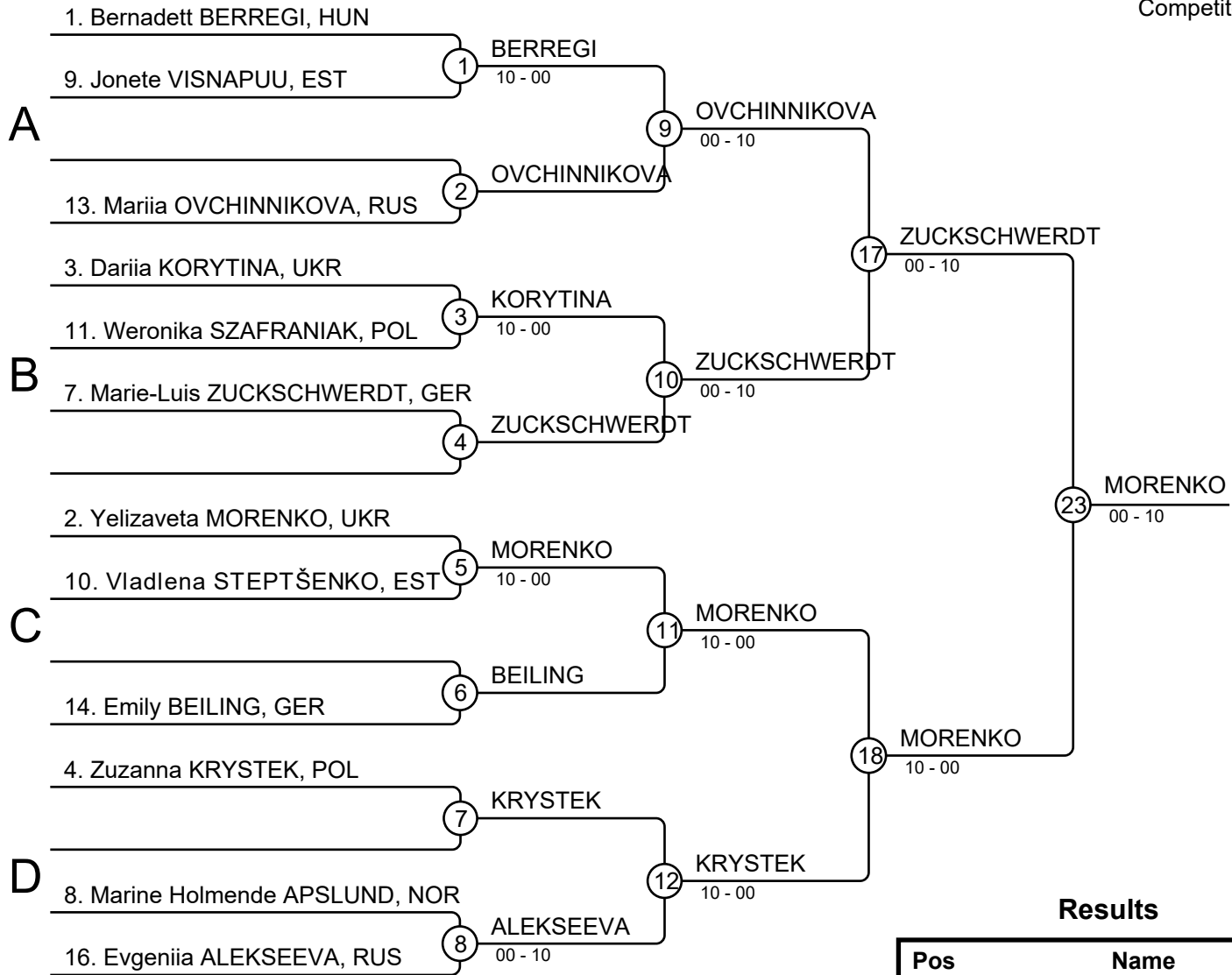


Results

Pos	Name
1	Danylo YAVHUSISHYN, UKR/UKR
2	Kacper MIKOLAJCZYK, POL/POL
3	Xsander SOLBAJA, EST/EST
3	Hubert NIEMCZYK, POL/POL
5	Daviti KATSADZE, GEO/GEO
5	Nazarii BERTASH, UKR/UKR
7	Romel SEEMANN, EST/EST
7	Buiandy BOLAT, RUS/RUS

Sumo Youth EC 26-28.10.2018 Estonia WU16ABS

Competitors: 12

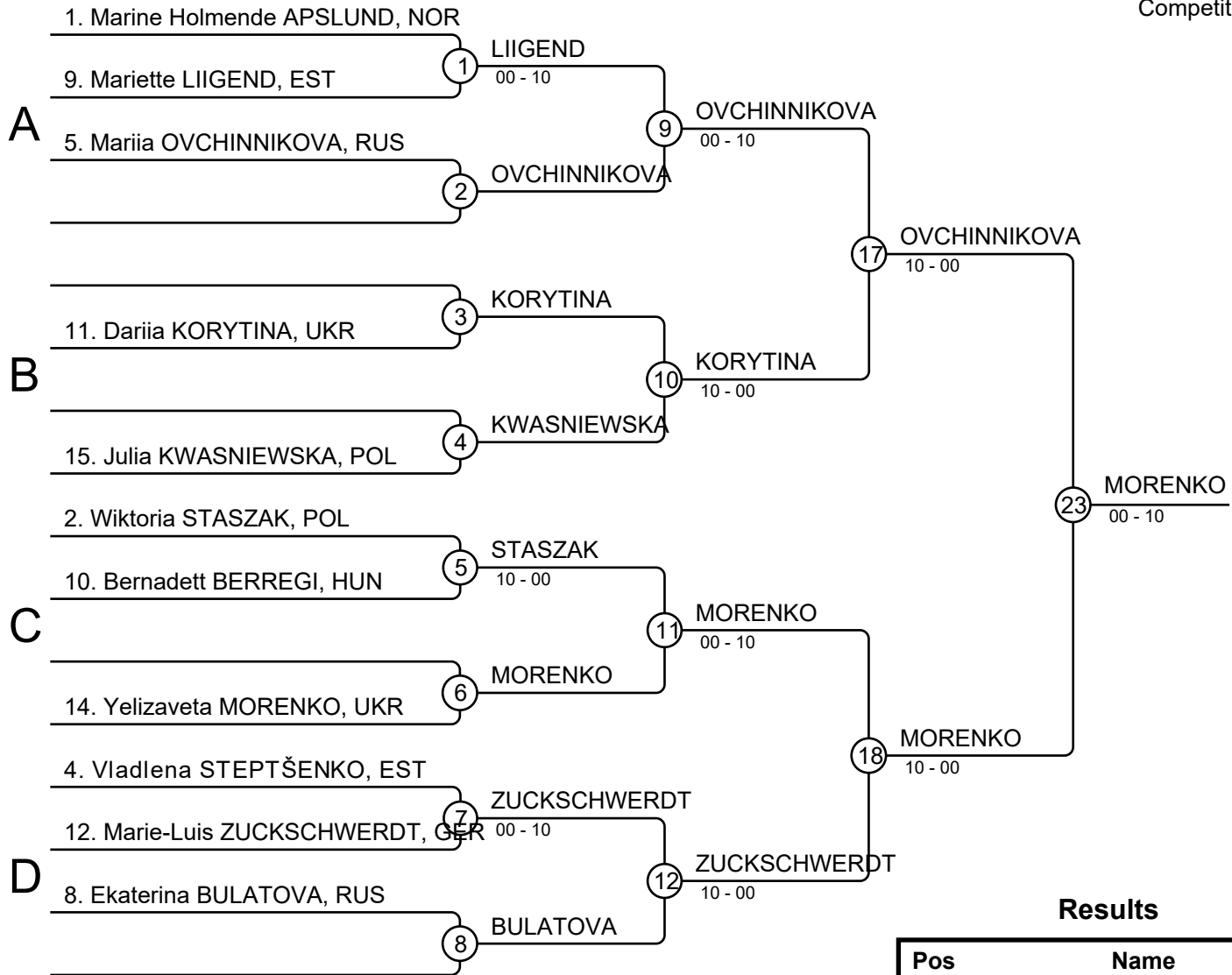


Results

Pos	Name
1	Yelizaveta MORENKO, UKR/UKR
2	Marie-Luis ZUCKSCHWERDT, GER/GER
3	Daria KORYTINA, UKR/UKR
3	Mariia OVCHINNIKOVA, RUS/RUS
5	Zuzanna KRYSTEK, POL/POL
5	Evgeniia ALEKSEEVA, RUS/RUS
7	Bernadett BERREGI, HUN/HUN
7	Vladlena STEPTŠENKO, EST/EST

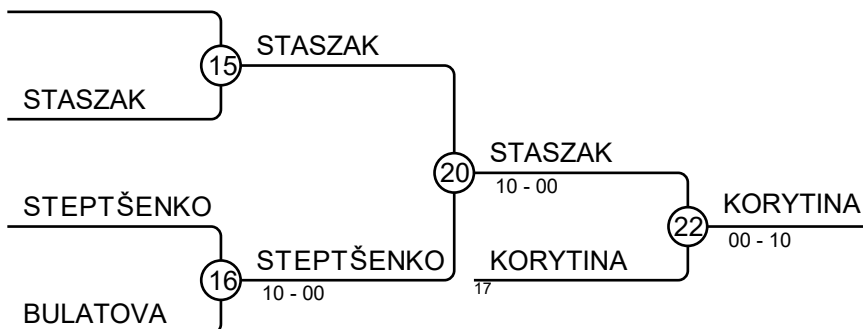
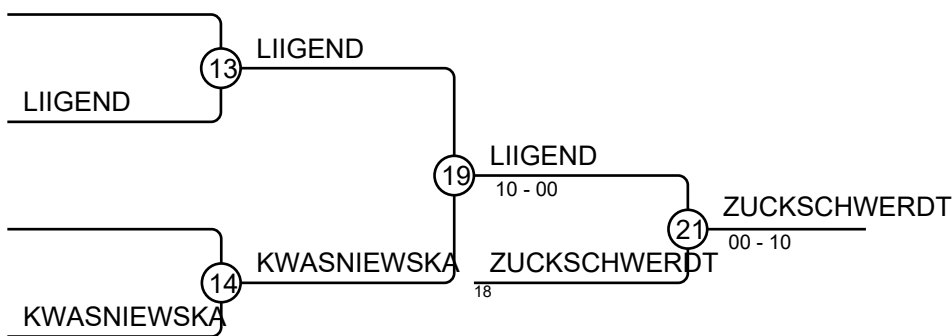
Sumo Youth EC 26-28.10.2018 Estonia WU16+70

Competitors: 11



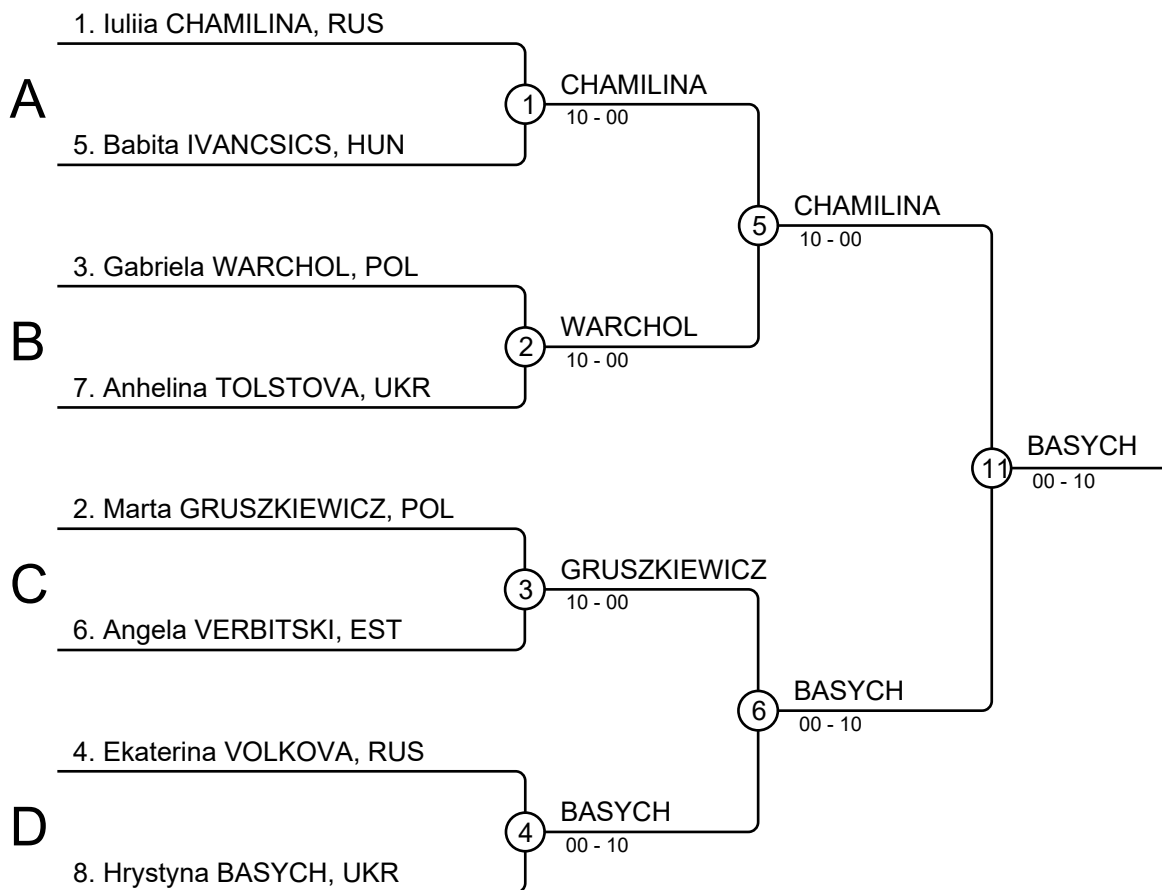
Results

Pos	Name
1	Yelizaveta MORENKO, UKR/UKR
2	Mariia OVCHINNIKOVA, RUS/RUS
3	Marie-Luis ZUCKSCHWERDT, GER/GER
3	Dariia KORYTINA, UKR/UKR
5	Mariette LIIGEND, EST/EST
5	Wiktoria STASZAK, POL/POL
7	Julia KWASNIEWSKA, POL/POL
7	Vladlena STEPTŠENKO, EST/EST



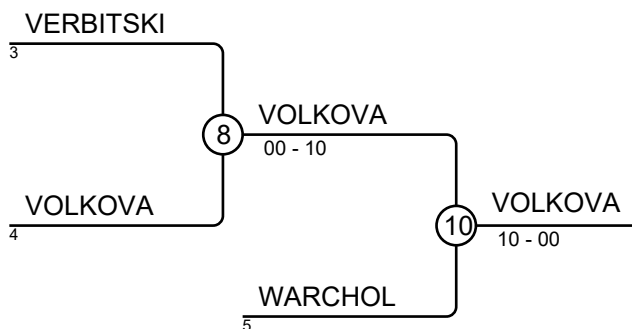
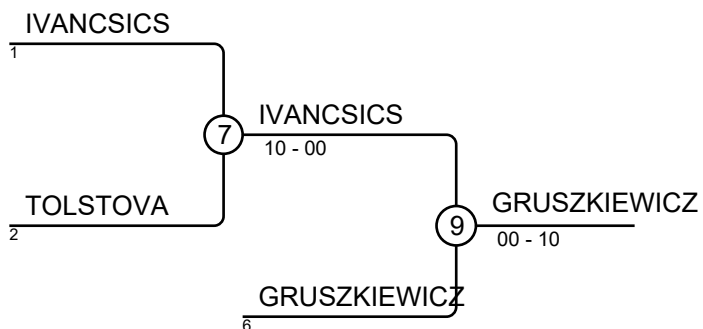
Sumo Youth EC 26-28.10.2018 Estonia WU16-45

Competitors: 8



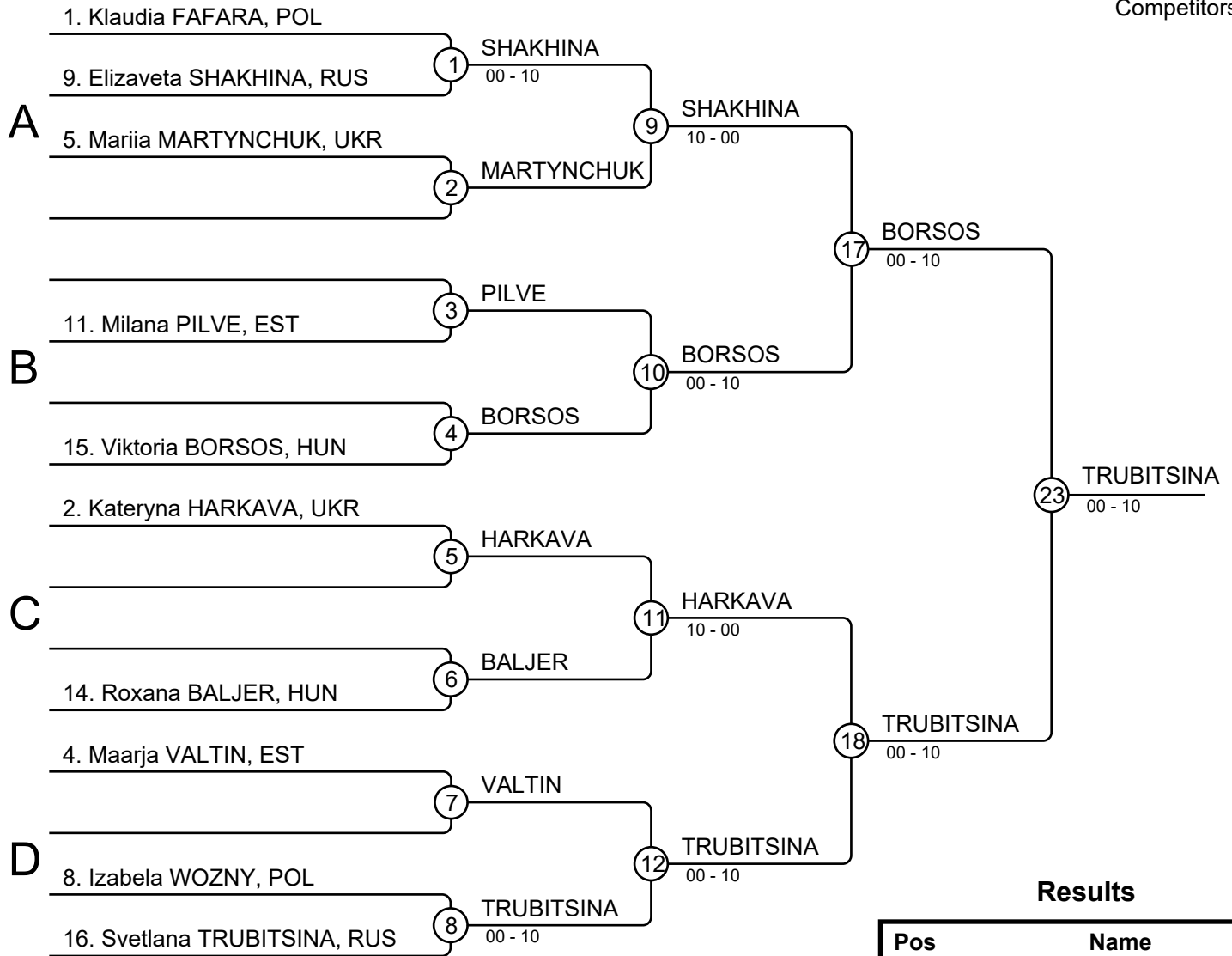
Results

Pos	Name
1	Hrystyna BASYCH, UKR/UKR
2	Iuliia CHAMILINA, RUS/RUS
3	Marta GRUSZKIEWICZ, POL/POL
3	Ekaterina VOLKOVA, RUS/RUS
5	Babita IVANCSICS, HUN/HUN
5	Gabriela WARCHOL, POL/POL
7	Anhelina TOLSTOVA, UKR/UKR
7	Angela VERBITSKI, EST/EST



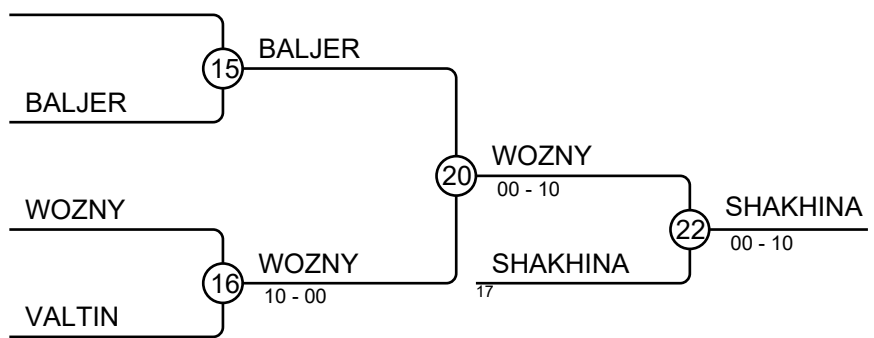
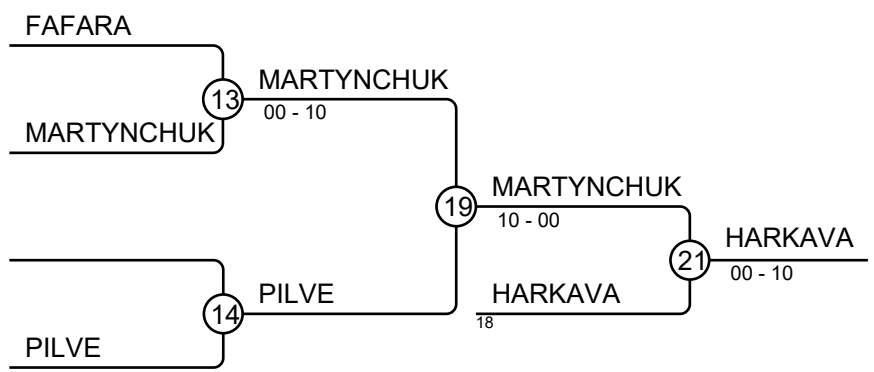
Sumo Youth EC 26-28.10.2018 Estonia WU16-50

Competitors: 10



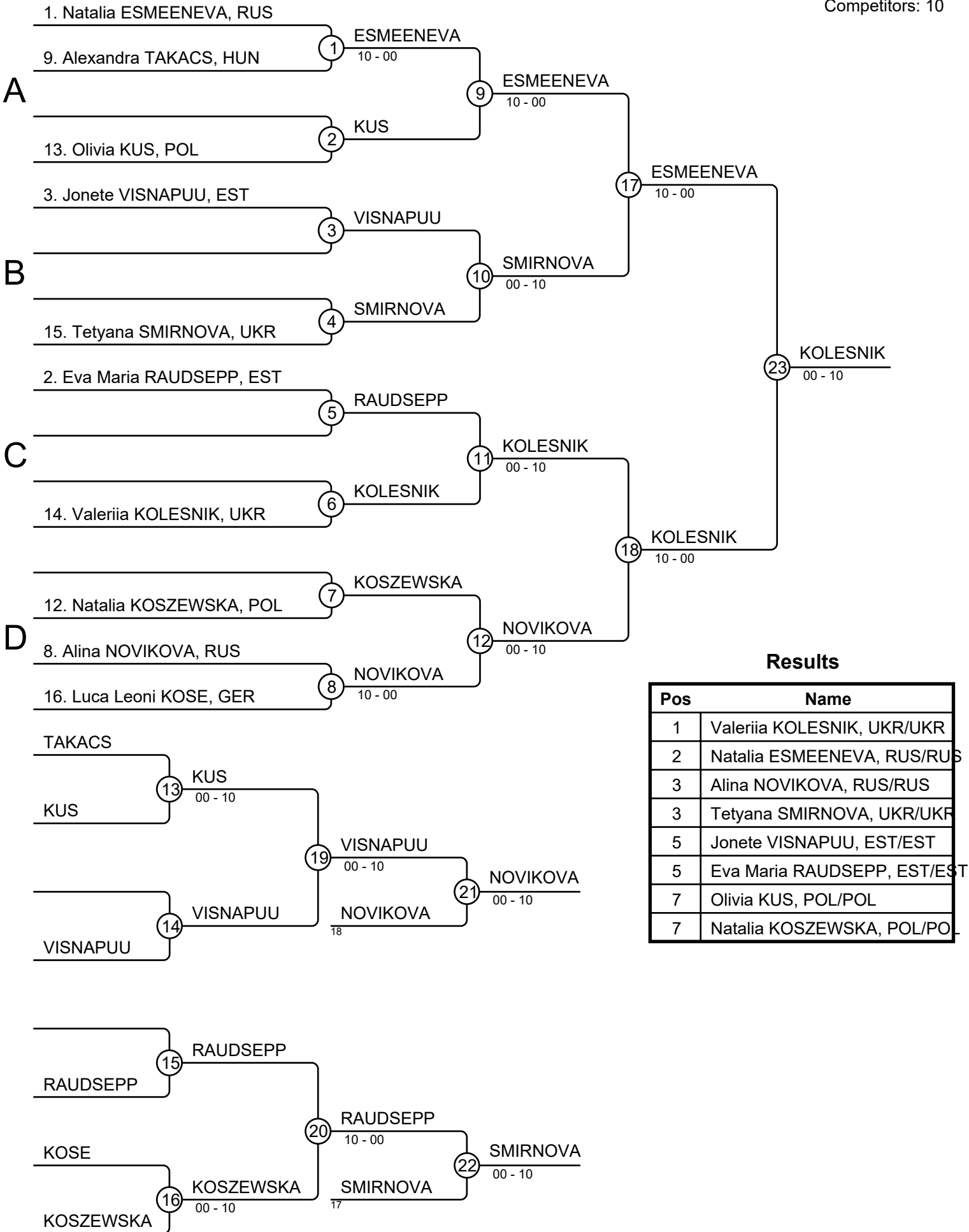
Results

Pos	Name
1	Svetlana TRUBITSINA, RUS/RUS
2	Viktoria BORSOS, HUN/HUN
3	Kateryna HARKAVA, UKR/UKR
3	Elizaveta SHAKHINA, RUS/RUS
5	Mariia MARTYNCHUK, UKR/UKR
5	Izabela WOZNY, POL/POL
7	Milana PILVE, EST/EST
7	Roxana BALJER, HUN/HUN



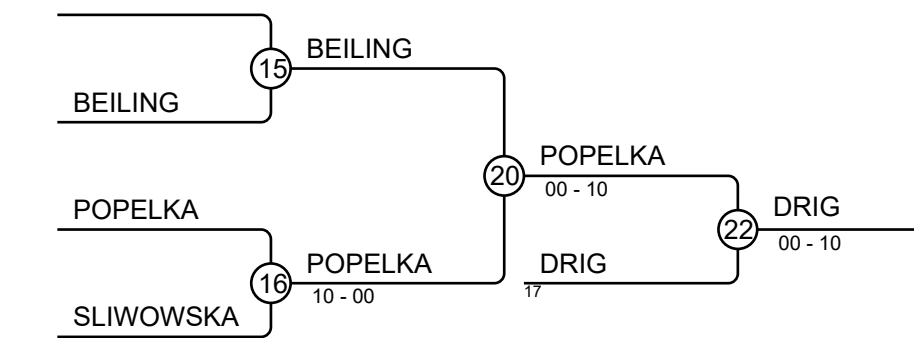
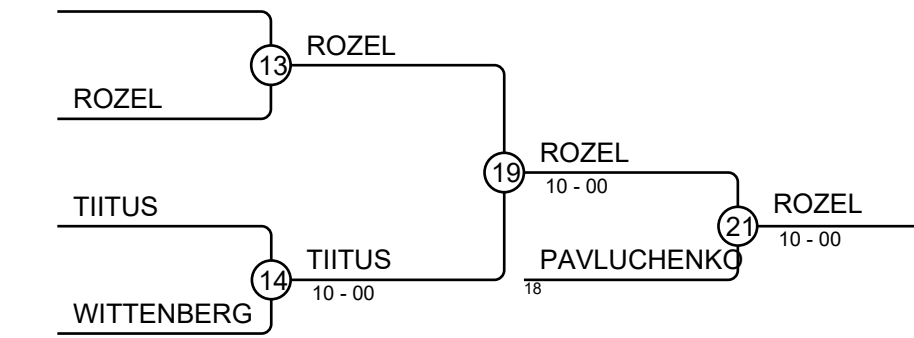
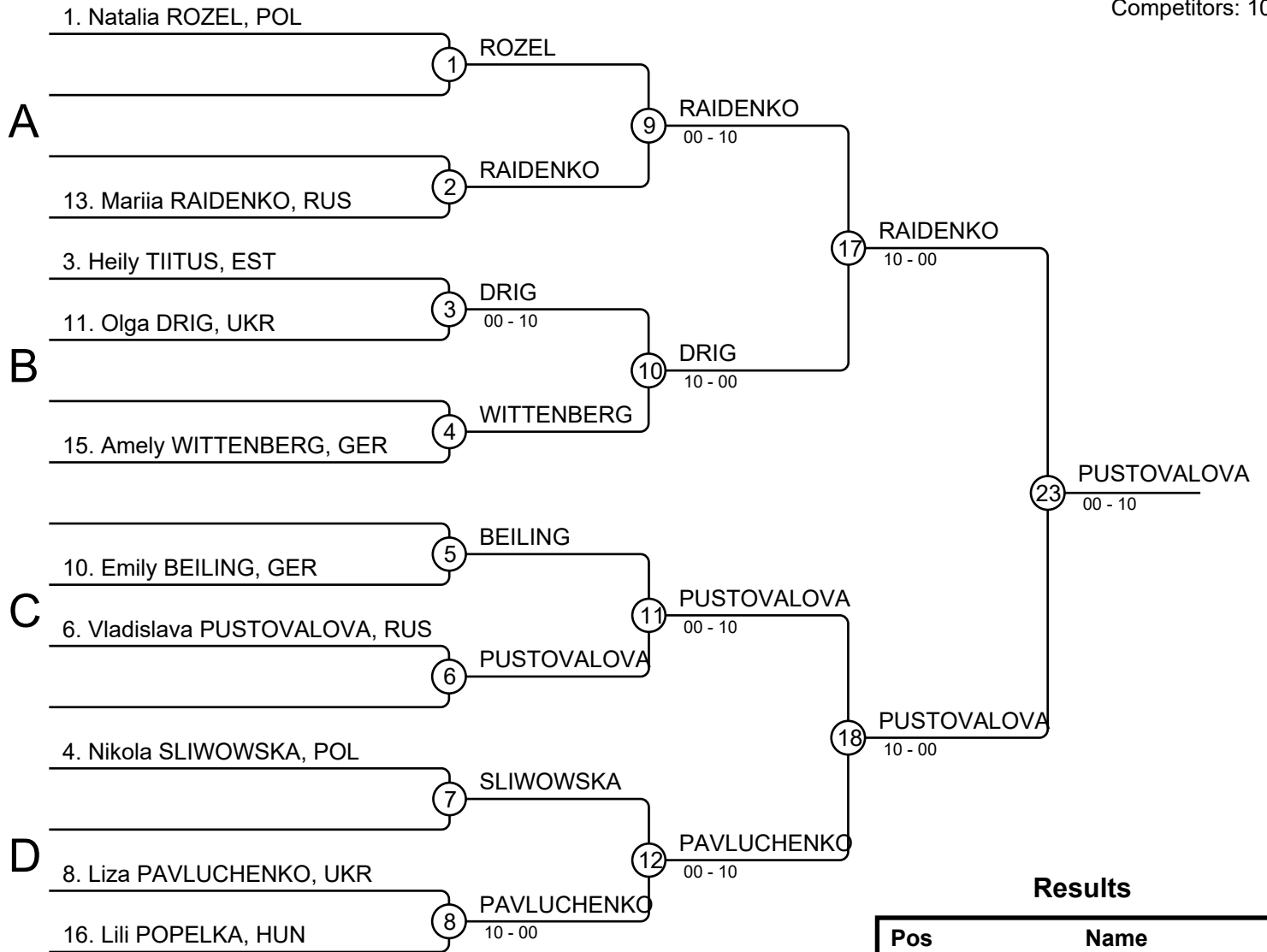
Sumo Youth EC 26-28.10.2018 Estonia WU16-55

Competitors: 10



Sumo Youth EC 26-28.10.2018 Estonia WU16-60

Competitors: 10

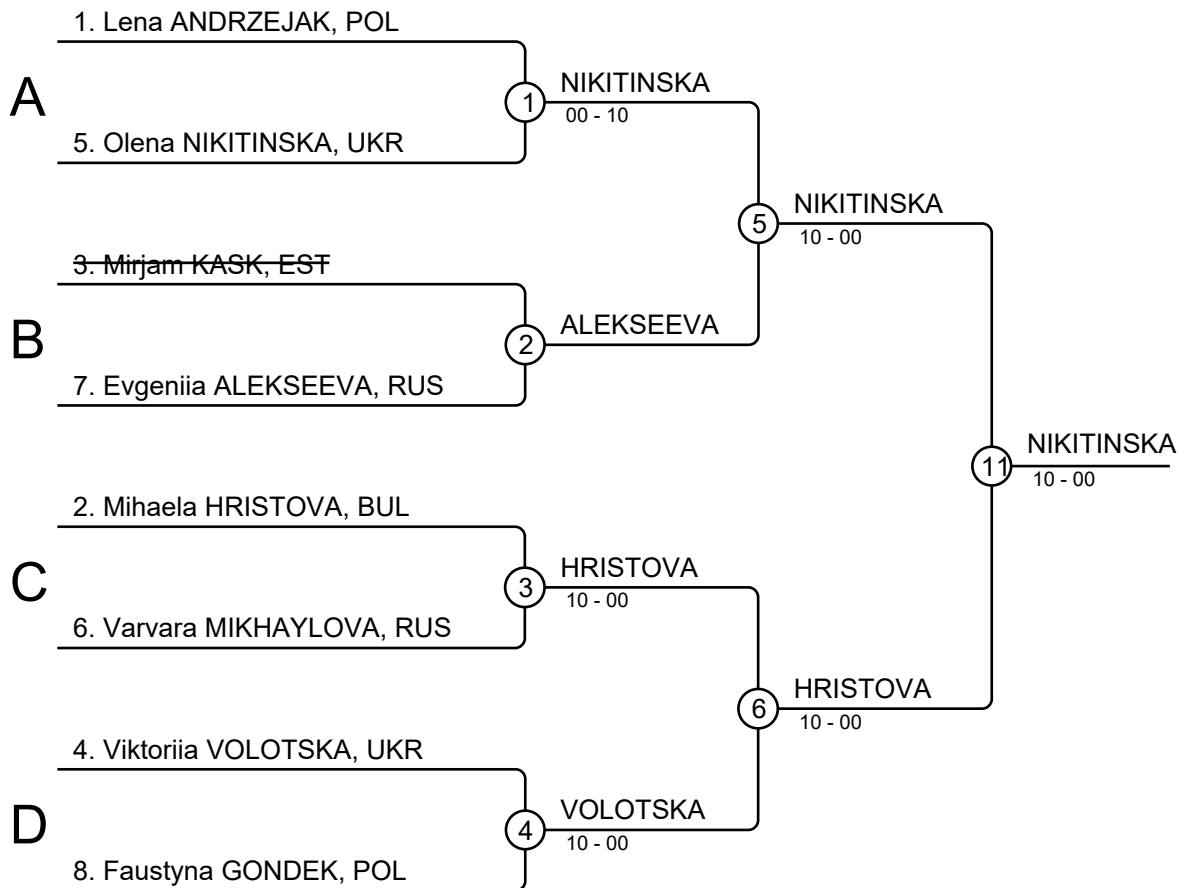


Results

Pos	Name
1	Vladislava PUSTOVALOVA, RUS/RUS
2	Mariia RAIDENKO, RUS/RUS
3	Natalia ROZEL, POL/POL
3	Olga DRIG, UKR/UKR
5	Liza PAVLUCHENKO, UKR/UKR
5	Lili POPELKA, HUN/HUN
7	Heily TIITUS, EST/EST
7	Emily BEILING, GER/GER

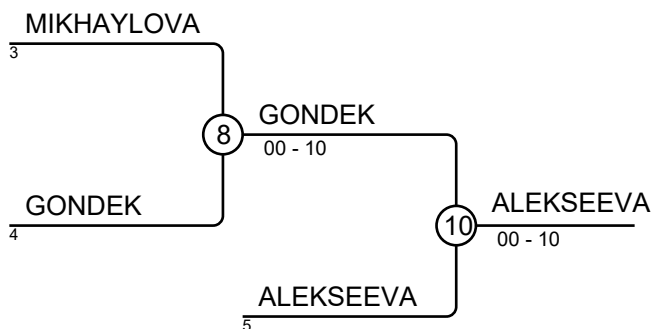
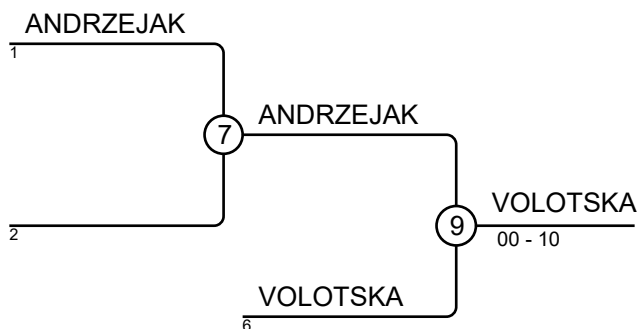
Sumo Youth EC 26-28.10.2018 Estonia WU16-65

Competitors: 8



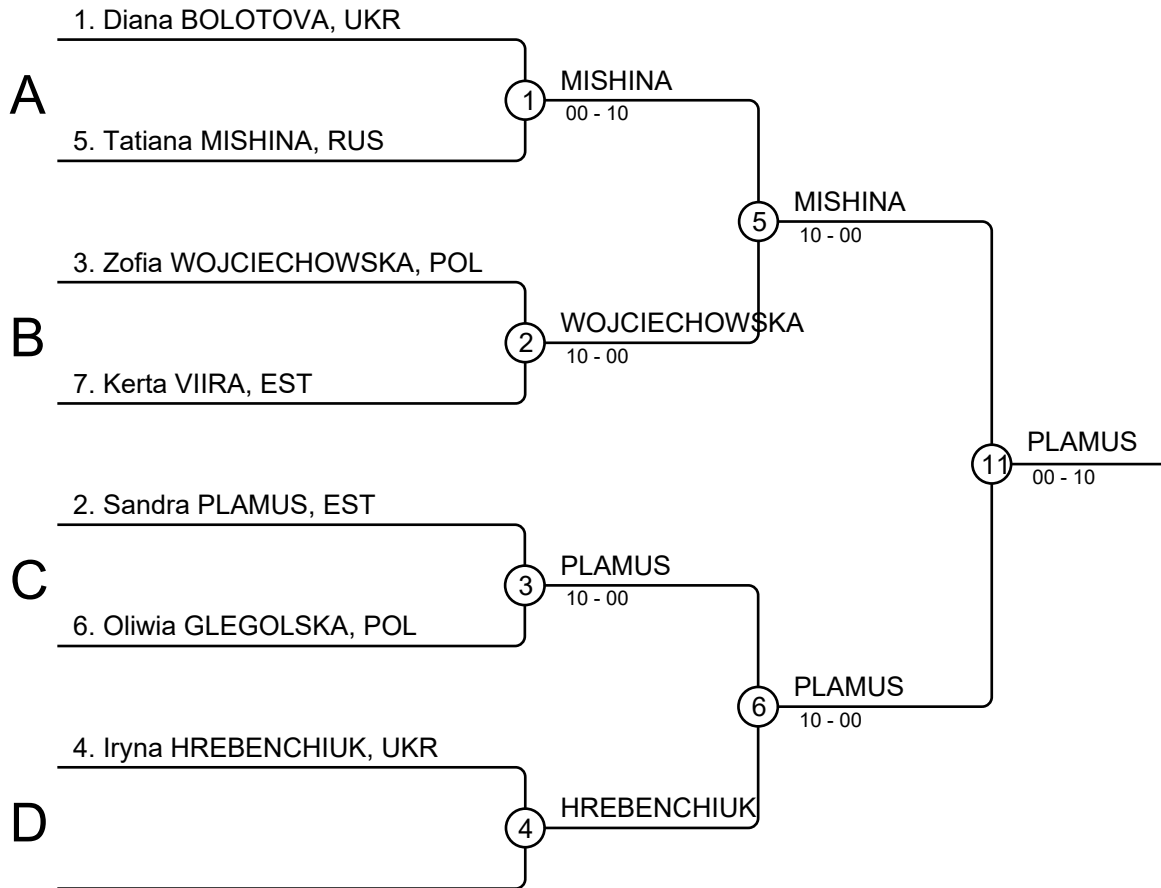
Results

Pos	Name
1	Olena NIKITINSKA, UKR/UKR
2	Mihaela HRISTOVA, BUL/BUL
3	Viktoriiia VOLOTSKA, UKR/UKR
3	Evgeniia ALEKSEEVA, RUS/RUS
5	Lena ANDRZEJAK, POL/POL
5	Faustyna GONDEK, POL/POL
7	
7	Varvara MIKHAYLOVA, RUS/RUS



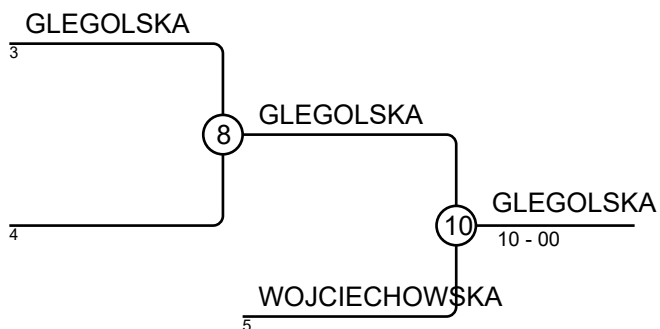
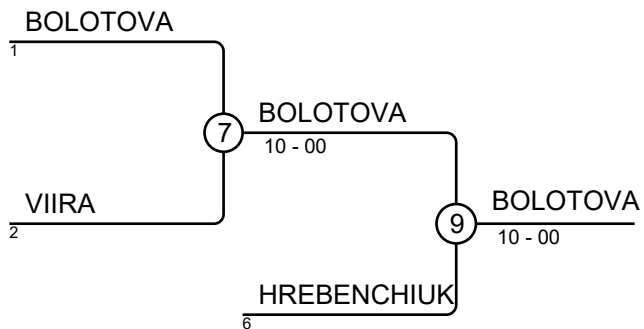
Sumo Youth EC 26-28.10.2018 Estonia WU16-70

Competitors: 7



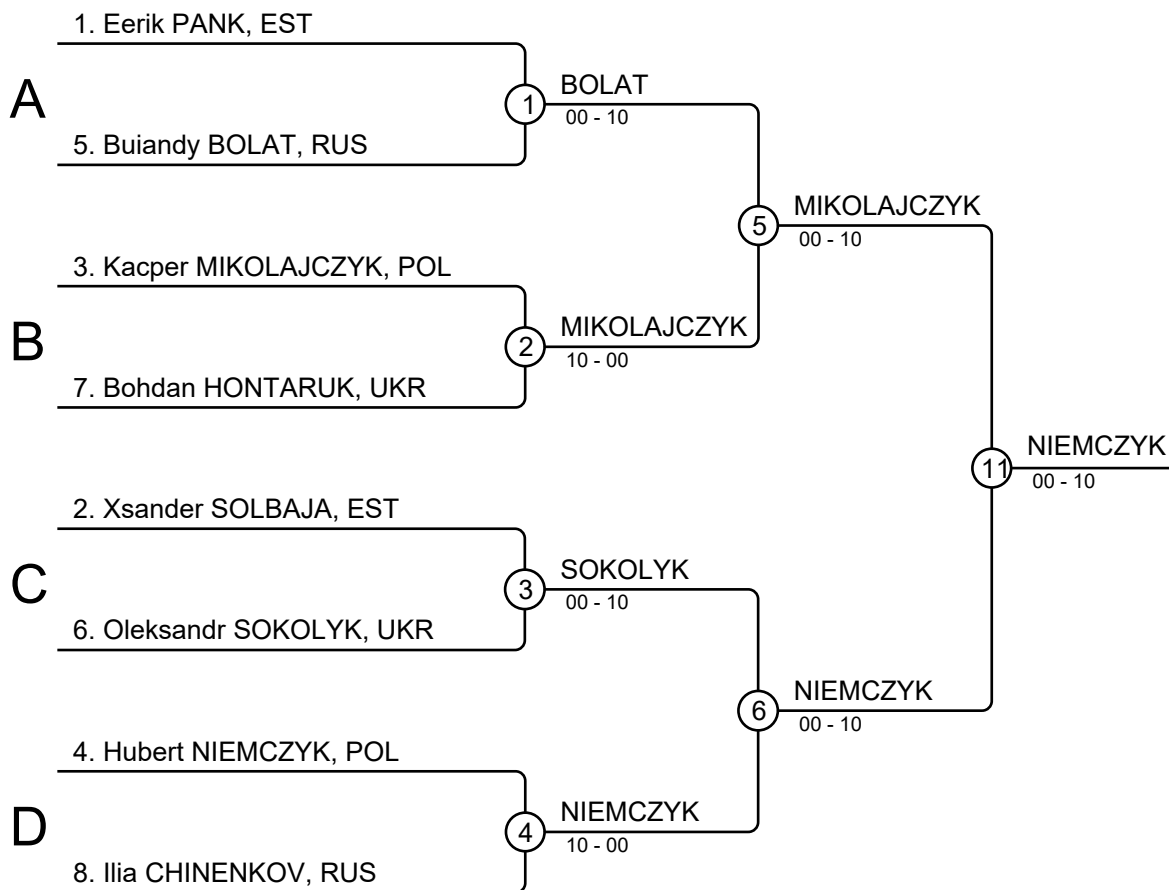
Results

Pos	Name
1	Sandra PLAMUS, EST/EST
2	Tatiana MISHINA, RUS/RUS
3	Diana BOLOTOVA, UKR/UKR
3	Oliwia GLEGOLSKA, POL/POL
5	Iryna HREBENCHIUK, UKR/UKR
5	Zofia WOJCIECHOWSKA, POL/POL
7	Kerta VIIRA, EST/EST
7	



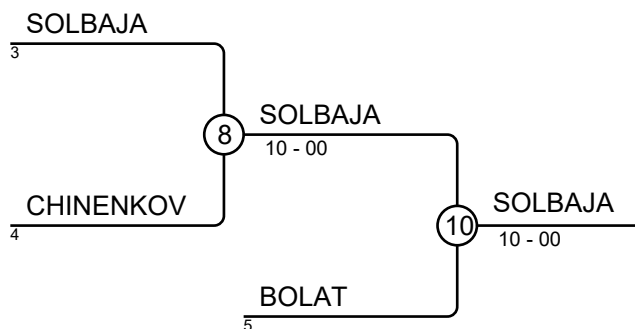
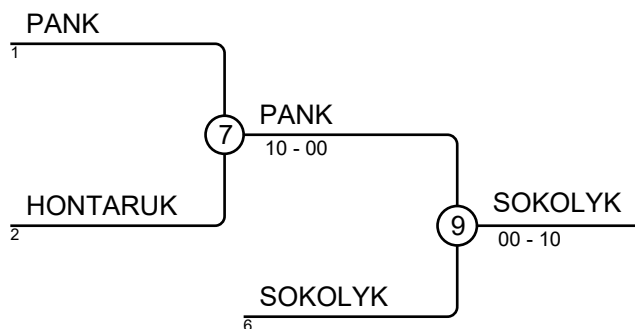
Sumo Youth EC 26-28.10.2018 Estonia MU16+95

Competitors: 8



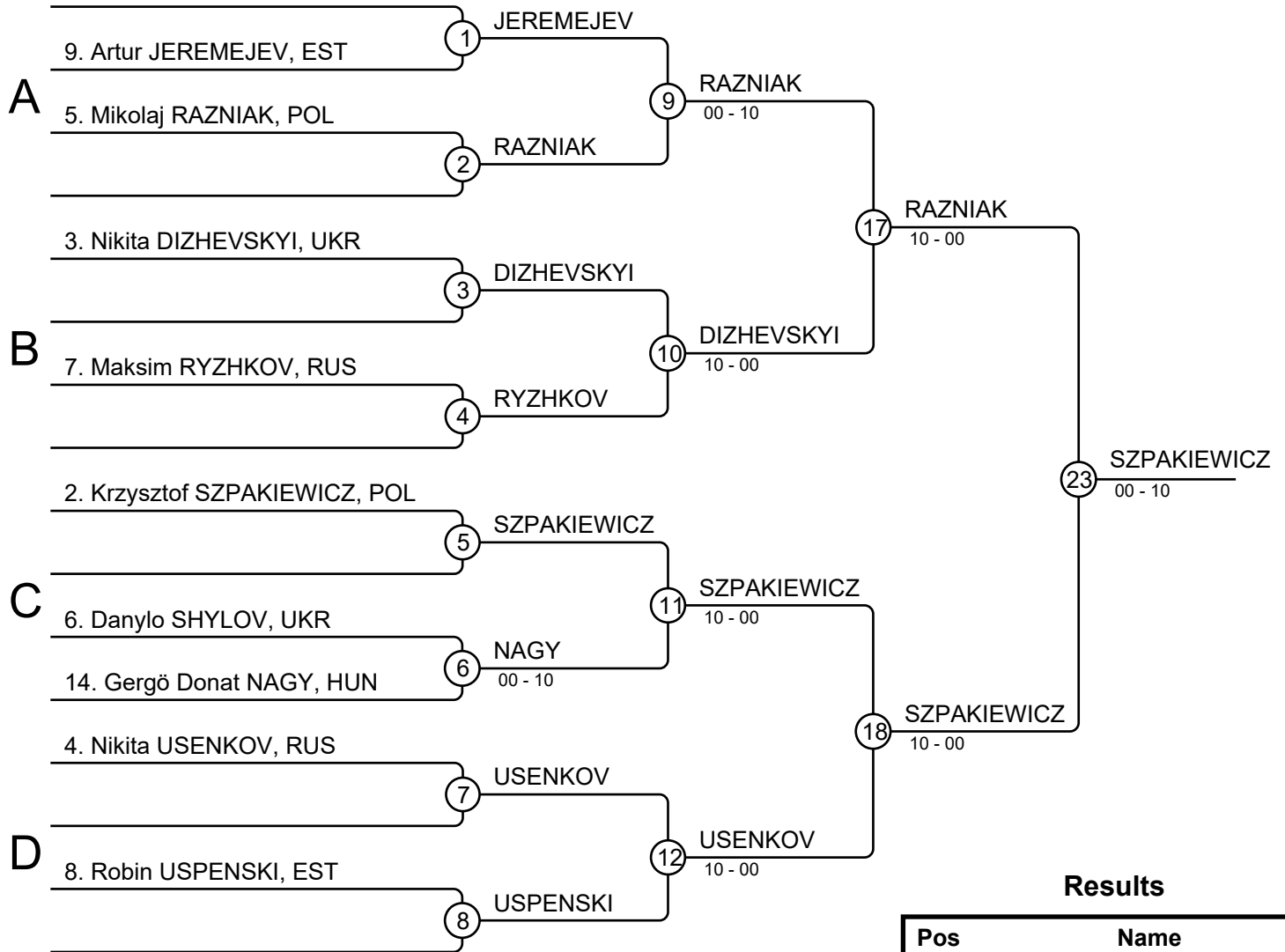
Results

Pos	Name
1	Hubert NIEMCZYK, POL/POL
2	Kacper MIKOLAJCZYK, POL/POL
3	Oleksandr SOKOLYK, UKR/UKR
3	Xsander SOLBAJA, EST/EST
5	Eerik PANK, EST/EST
5	Buiandy BOLAT, RUS/RUS
7	Bohdan HONTARUK, UKR/UKR
7	Ilija CHINENKOV, RUS/RUS



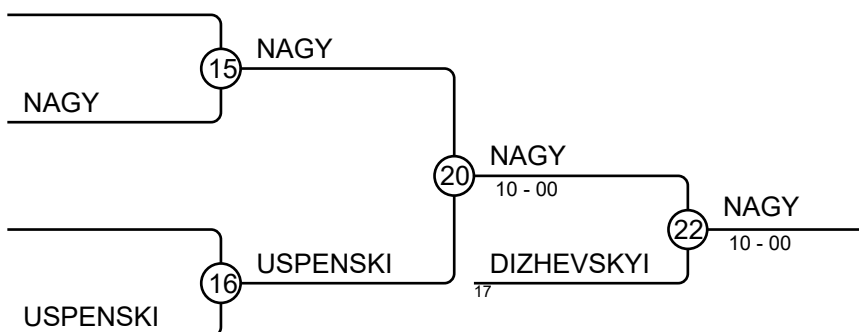
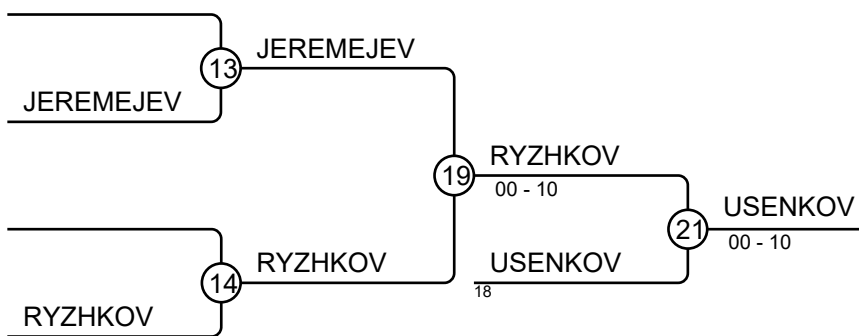
Sumo Youth EC 26-28.10.2018 Estonia MU16-55

Competitors: 9



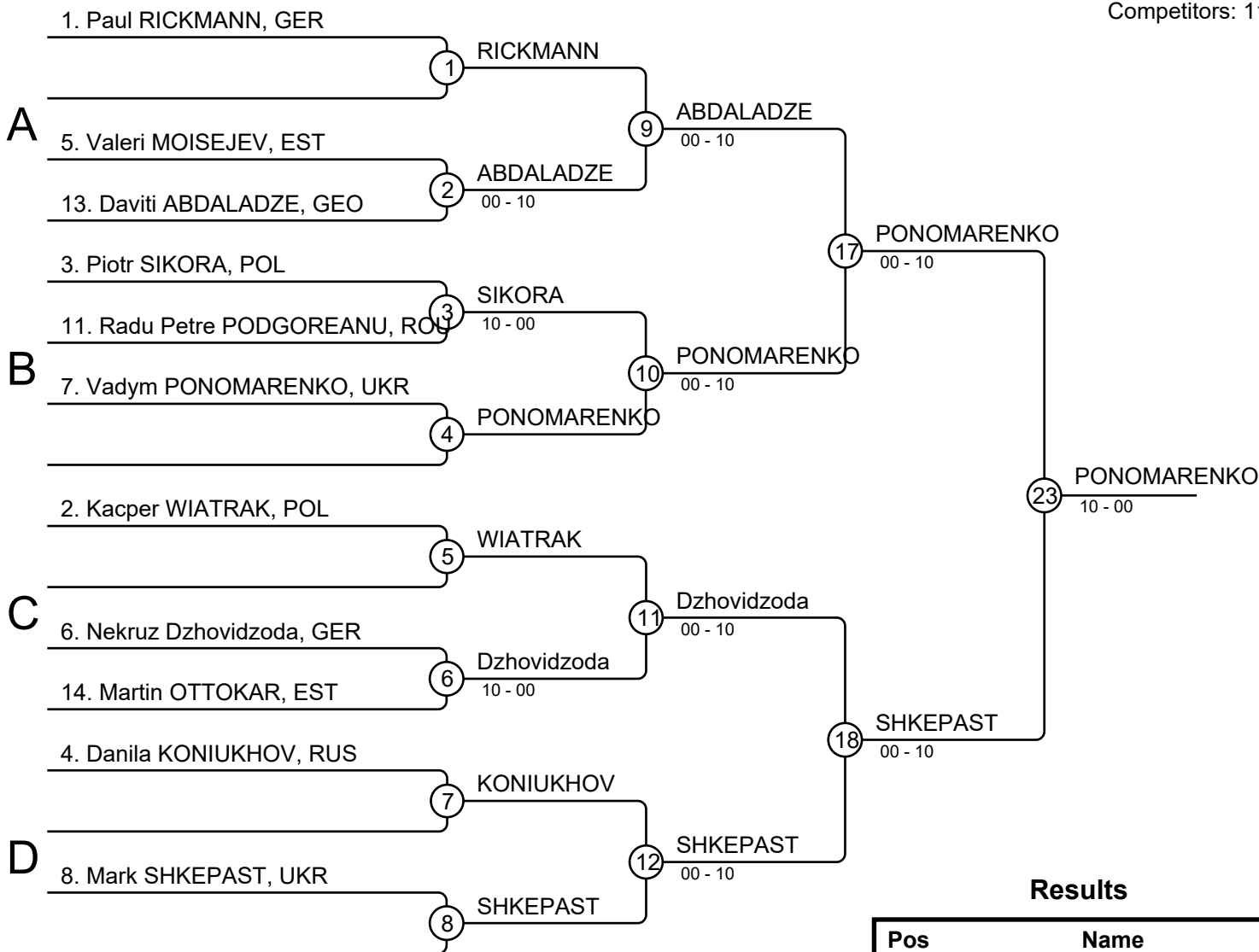
Results

Pos	Name
1	Krzysztof SZPAKIEWICZ, POL/POL
2	Mikolaj RAZNIAK, POL/POL
3	Nikita USENKOV, RUS/RUS
3	Gergö Donat NAGY, HUN/HUN
5	Maksim RYZHKOV, RUS/RUS
5	Nikita DIZHEVSKYI, UKR/UKR
7	Artur JEREMEJEV, EST/EST
7	Robin USPENSKI, EST/EST



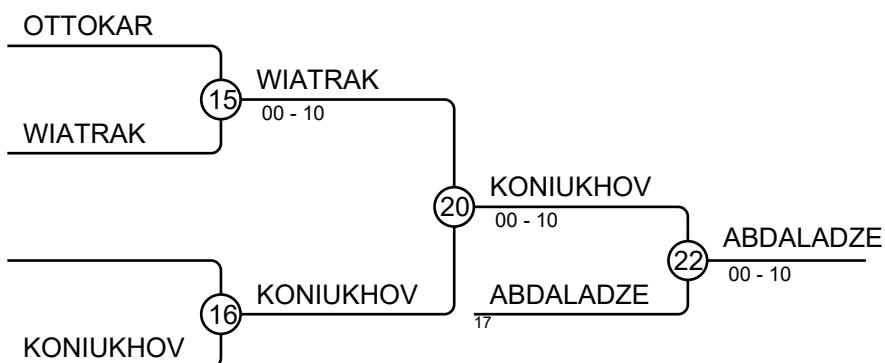
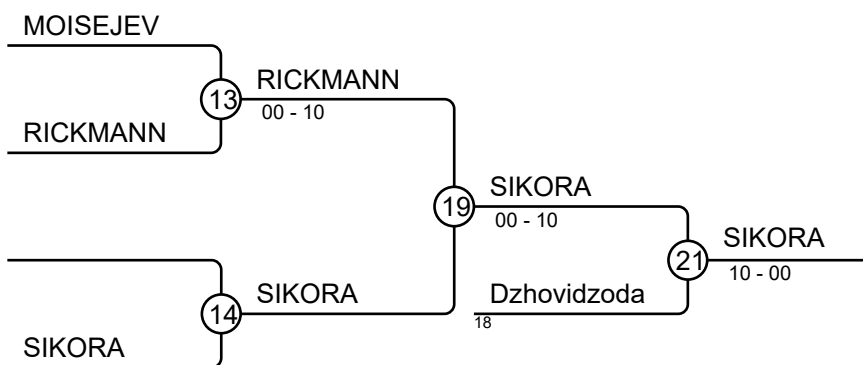
Sumo Youth EC 26-28.10.2018 Estonia MU16-65

Competitors: 11



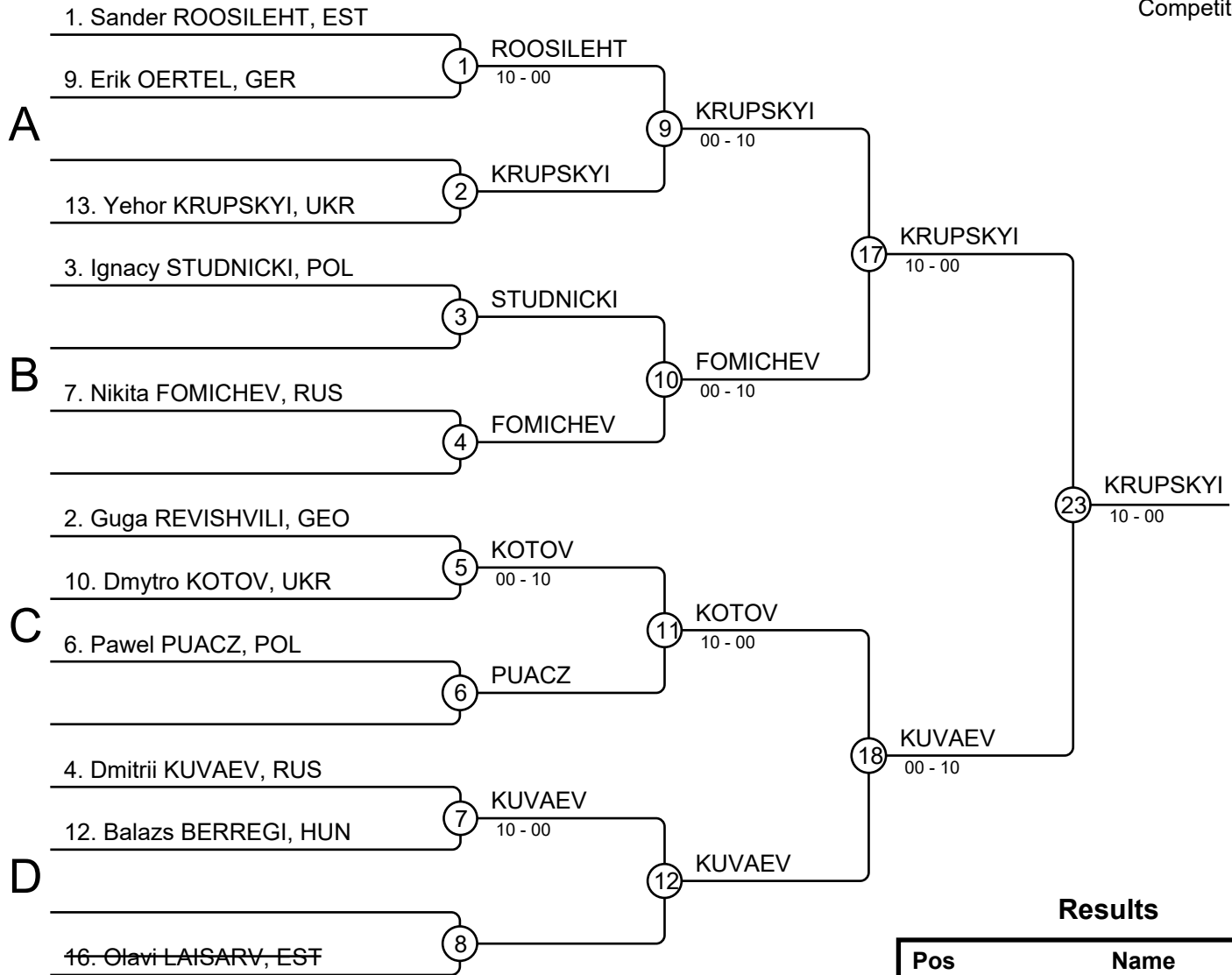
Results

Pos	Name
1	Vadym PONOMARENKO, UKR/UKR
2	Mark SHKEPAST, UKR/UKR
3	Piotr SIKORA, POL/POL
3	Daviti ABDALADZE, GEO/GEO
5	Nekruz Dzhovidzoda, GER/GER
5	Danila KONIUKHOV, RUS/RUS
7	Paul RICKMANN, GER/GER
7	Kacper WIATRAK, POL/POL



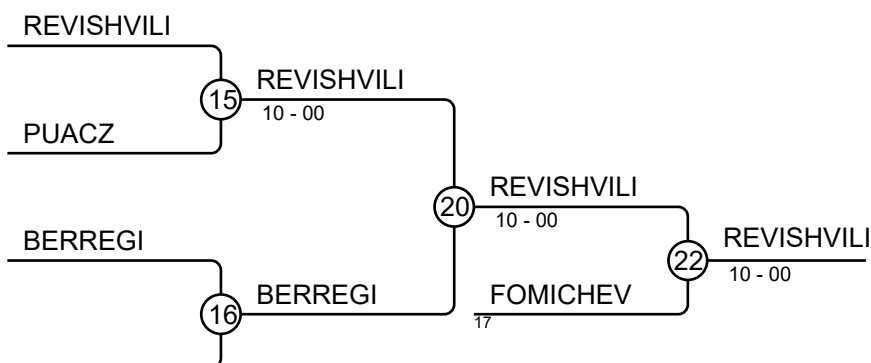
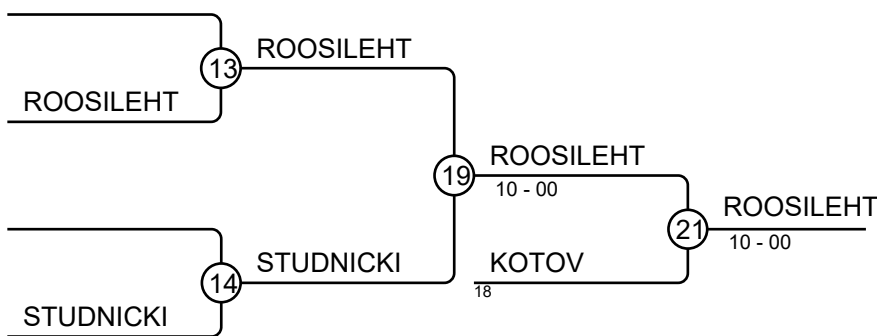
Sumo Youth EC 26-28.10.2018 Estonia MU16-75

Competitors: 11



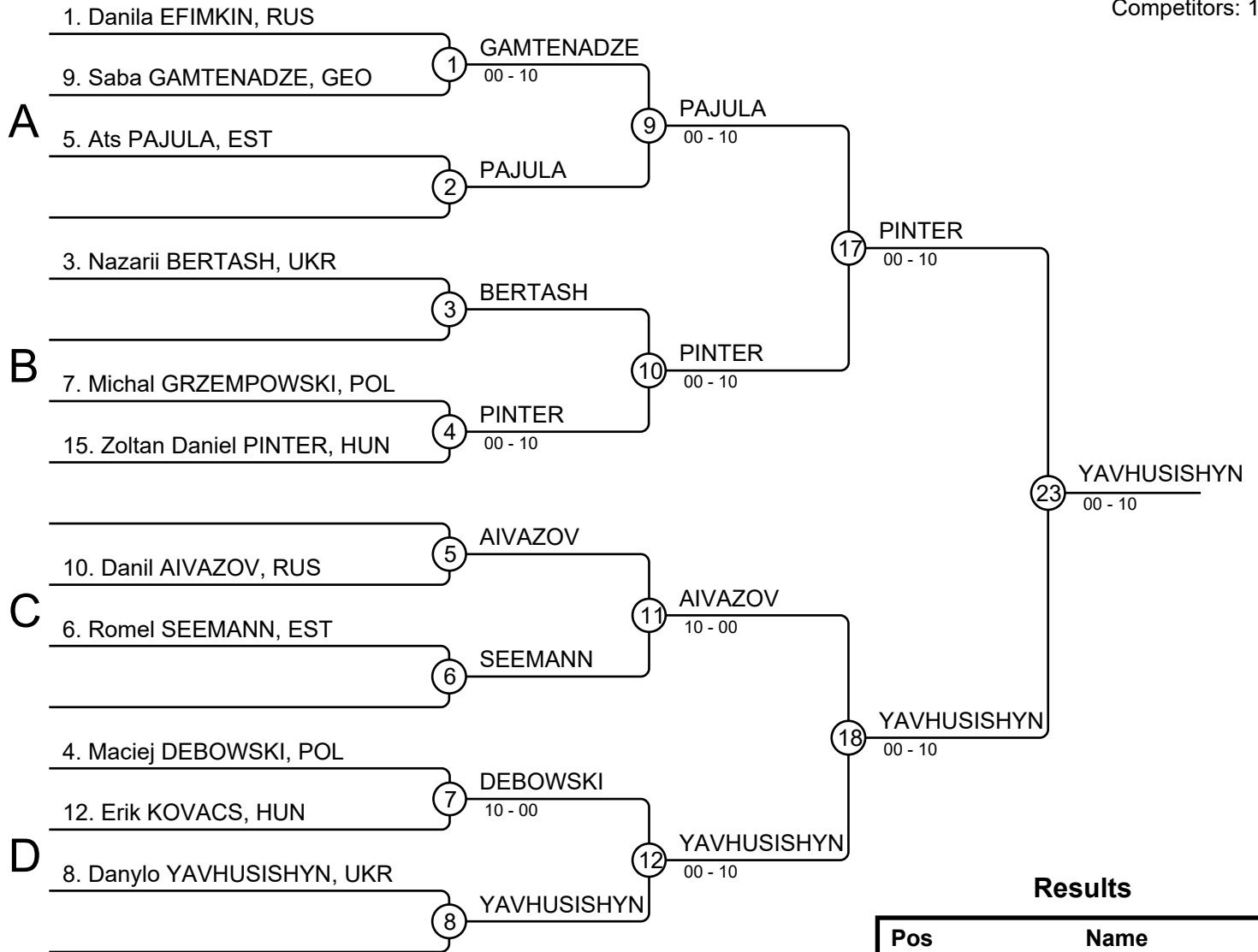
Results

Pos	Name
1	Yehor KRUPSKYI, UKR/UKR
2	Dmitrii KUVAEV, RUS/RUS
3	Sander ROOSILEHT, EST/EST
3	Guga REVISHVILI, GEO/GEO
5	Dmytro KOTOV, UKR/UKR
5	Nikita FOMICHEV, RUS/RUS
7	Ignacy STUDNICKI, POL/POL
7	Balazs BERREGI, HUN/HUN



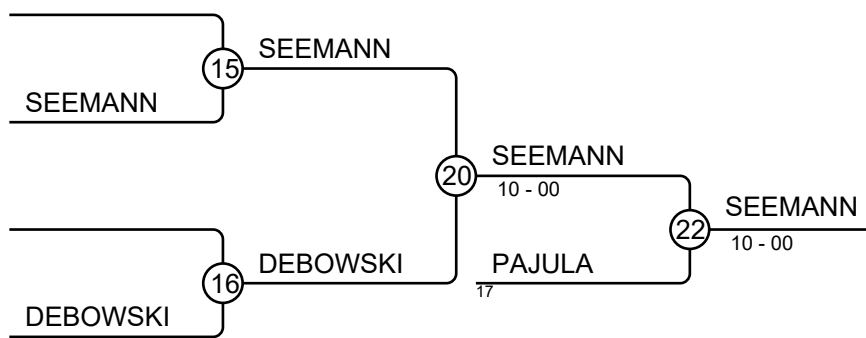
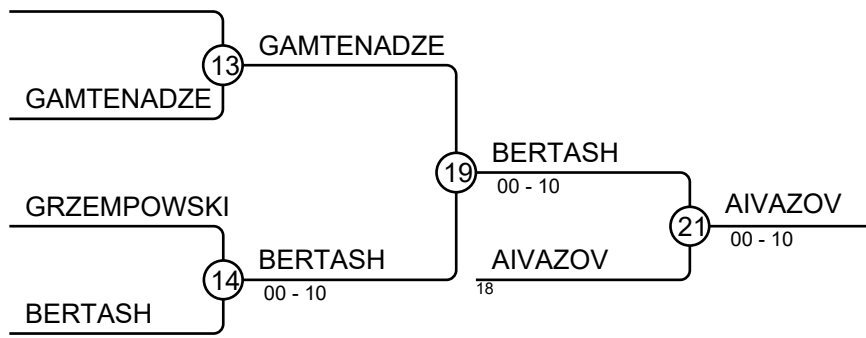
Sumo Youth EC 26-28.10.2018 Estonia MU16-85

Competitors: 11



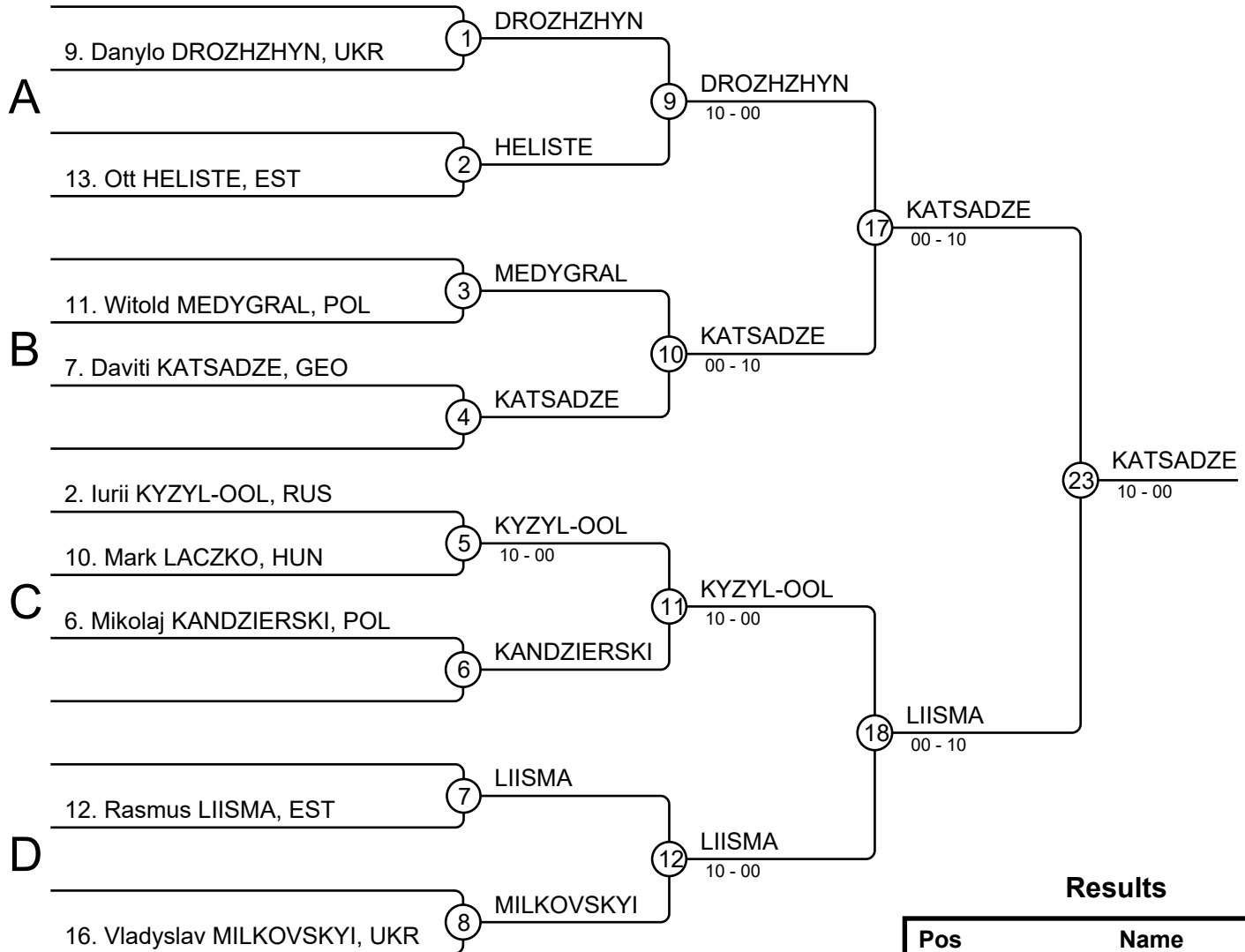
Results

Pos	Name
1	Danylo YAVHUSISHYN, UKR/UKR
2	Zoltan Daniel PINTER, HUN/HUN
3	Danil AIVAZOV, RUS/RUS
3	Romel SEEMANN, EST/EST
5	Nazarii BERTASH, UKR/UKR
5	Ats PAJULA, EST/EST
7	Saba GAMTENADZE, GEO/GEO
7	Maciej DEBOWSKI, POL/POL



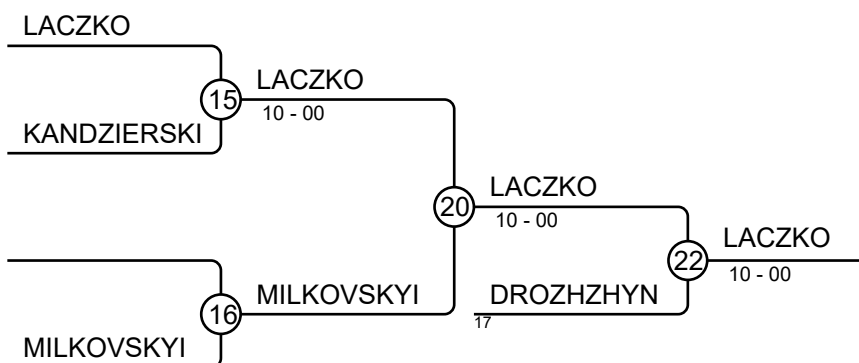
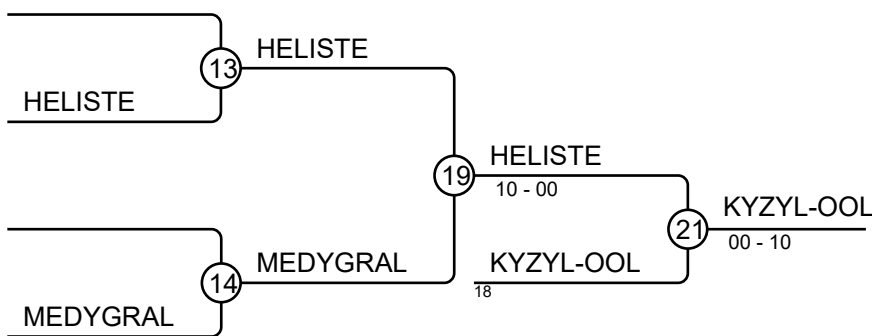
Sumo Youth EC 26-28.10.2018 Estonia MU16-95

Competitors: 9



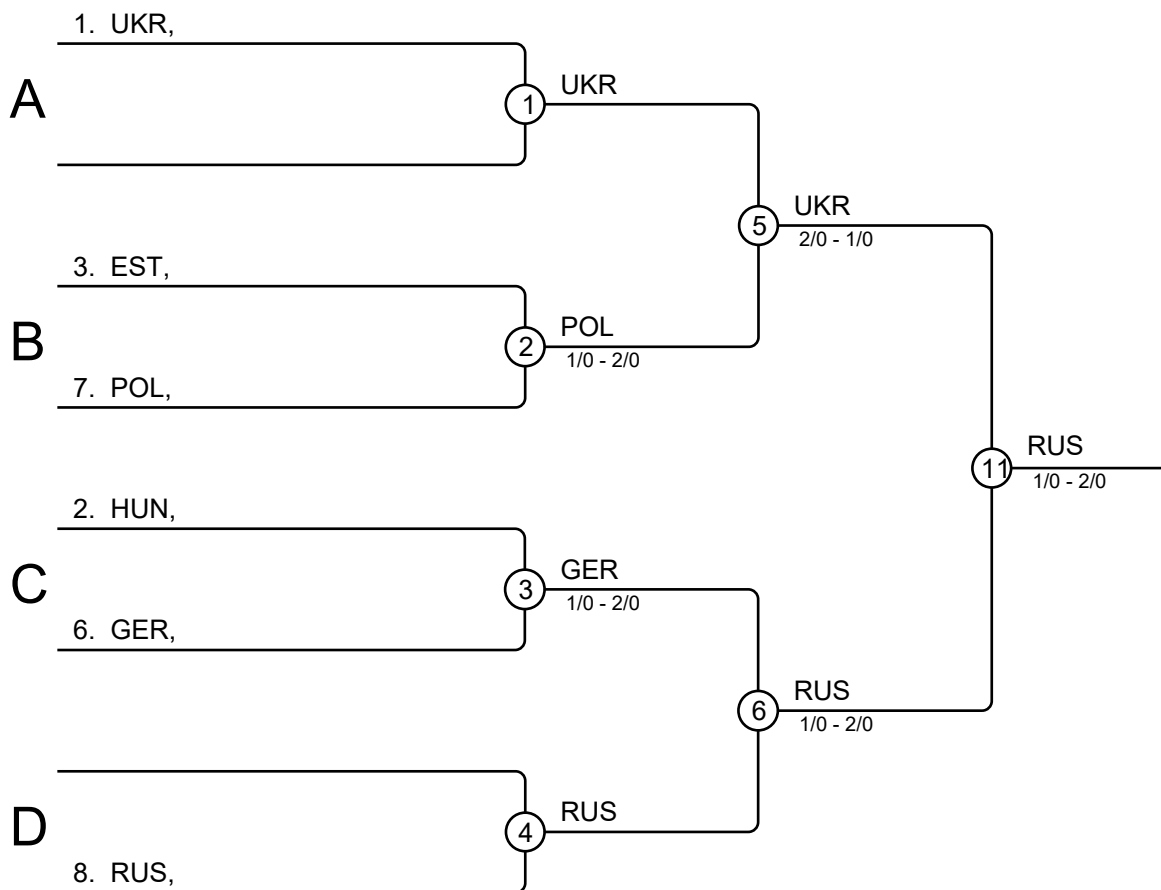
Results

Pos	Name
1	Daviti KATSADZE, GEO/GEO
2	Rasmus LIISMA, EST/EST
3	Iurii KYZYL-OOL, RUS/RUS
3	Mark LACZKO, HUN/HUN
5	Ott HELISTE, EST/EST
5	Danylo DROZHZHYN, UKR/UKR
7	Witold MEDYGRAL, POL/POL
7	Vladyslav MILKOVSKYI, UKR/UKR



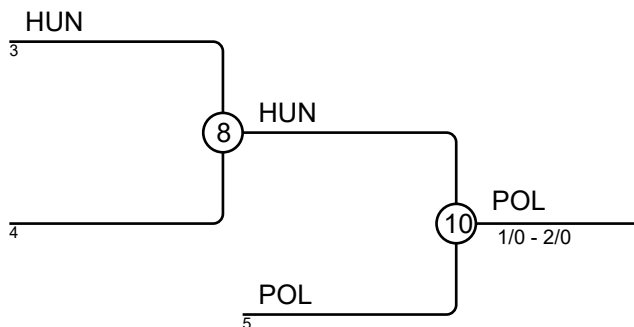
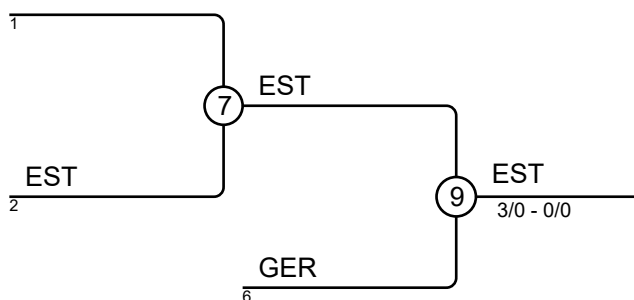
Sumo Youth EC 26-28.10.2018 Estonia WU16

Competitors: 6



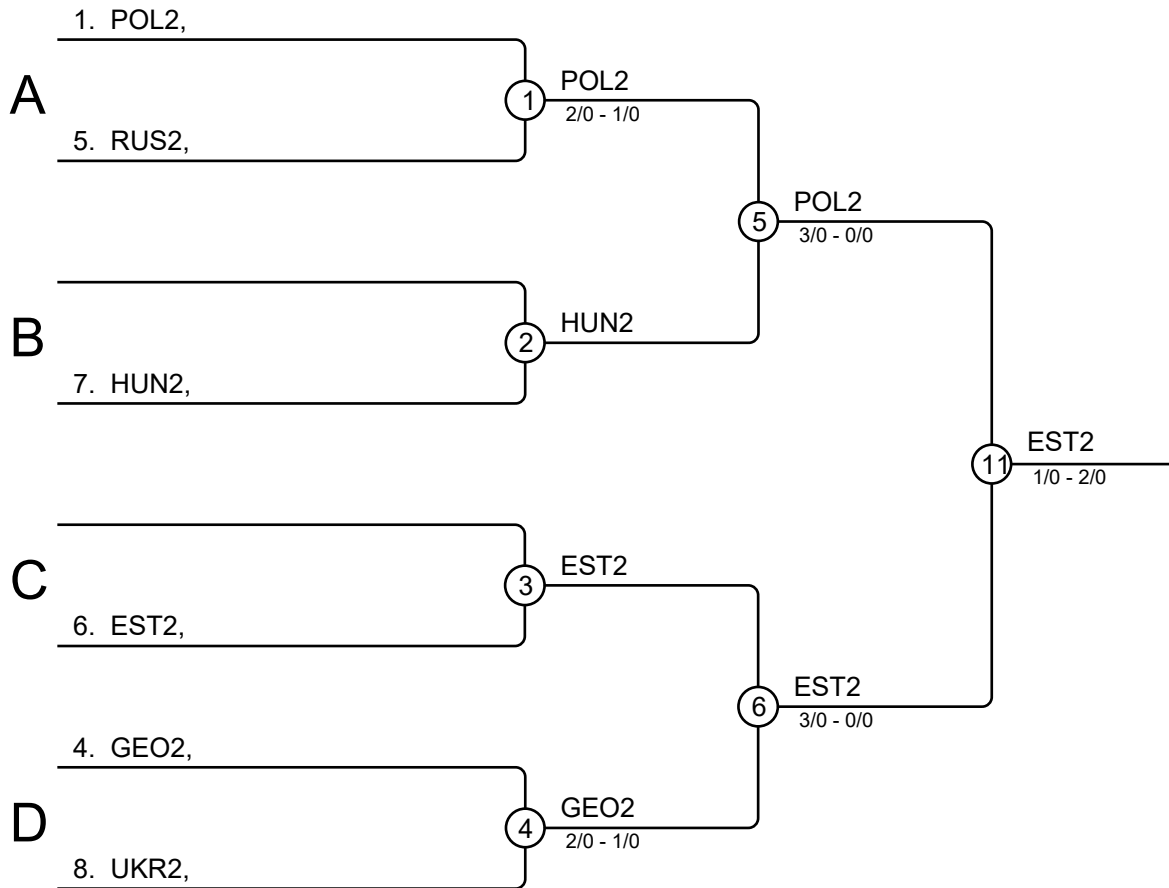
Results

Pos	Name
1	RUS,
2	UKR,
3	EST,
3	POL,
5	GER,
5	HUN,
7	
7	



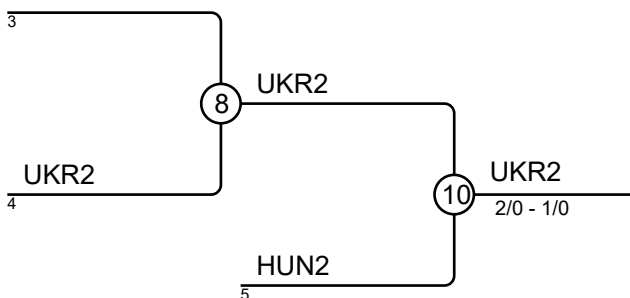
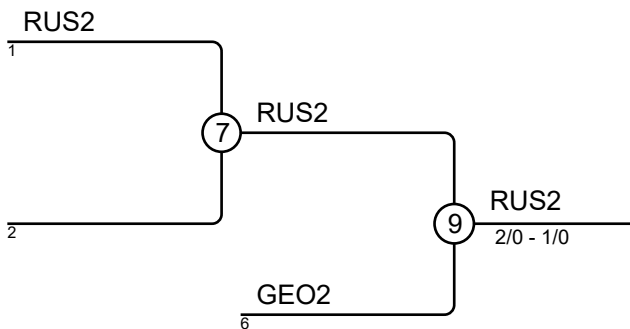
Sumo Youth EC 26-28.10.2018 Estonia MU16

Competitors: 6



Results

Pos	Name
1	EST2,
2	POL2,
3	RUS2,
3	UKR2,
5	GEO2,
5	HUN2,
7	
7	



MU16 TEAMS			
ESTONIA			
DIVISION	FAMILY NAME	GIVEN NAME	
SENPO	Heliste	Ott	
First			
CHUKEN	Solbaja	Xsander	
Second			
TAISHO	Pank	Eerik	
Last			
SUBSTITUTE			
GEORGIA			
DIVISION	FAMILY NAME	GIVEN NAME	
SENPO	Gamtenade	Saba	
First			
CHUKEN	Revishvili	Guga	
Second			
TAISHO	Katsadze	Daviti	
Last			
SUBSTITUTE			
HUNGARY			
DIVISION	FAMILY NAME	GIVEN NAME	
SENPO	Laczko	Mark	
First			
CHUKEN	Kovacs	Erik	
Second			
TAISHO	Pinter	Zoltan	
Last			
SUBSTITUTE			

POLAND			
DIVISION	FAMILY NAME	GIVEN NAME	
SENPO	Niemczyk	Hubert	
First			
CHUKEN	Kandzierski	Mikolai	
Second			
TAISHO	Mikolajczyk	Kacper	
Last			
SUBSTITUTE			
RUSSIA			
DIVISION	FAMILY NAME	GIVEN NAME	
SENPO	Bolat	Buiandy	
First			
CHUKEN	Chinenkov	Iliia	
Second			
TAISHO	Kysyl-Ool	Iurii	
Last			
SUBSTITUTE			
UKRAINE			
DIVISION	FAMILY NAME	GIVEN NAME	
SENPO	Yavhushishyn	Danylo	
First			
CHUKEN	Sokolyk	Oleksandr	
Second			
TAISHO	Droshyn	Danilo	
Last			
SUBSTITUTE			

WU16 TEAMS			
ESTONIA			
DIVISION	FAMILY NAME	GIVEN NAME	
SENPO	Steptsenko	Vladlena	
First			
CHUKEN	Plamus	Sandra	
Second			
TAISHO	Ligend	Mariette	
Last			
SUBSTITUTE			
GERMANY			
DIVISION	FAMILY NAME	GIVEN NAME	
SENPO	Kose	Luca Leoni	
First			
CHUKEN	Zuckschwerdt	Marie Luis	
Second			
TAISHO	Bieling	Emily	
Last			
SUBSTITUTE			
HUNGARY			
DIVISION	FAMILY NAME	GIVEN NAME	
SENPO	Takacs	Alexandra	
First			
CHUKEN	Berregi	Bernadett	
Second			
TAISHO	Popelka	Lili	
Last			
SUBSTITUTE			

POLAND			
DIVISION	FAMILY NAME	GIVEN NAME	
SENPO	Krystek	Zuzanna	
First			
CHUKEN	Kwasniewska	Julia	
Second			
TAISHO	Stazsak	Wiktoria	
Last			
SUBSTITUTE			
RUSSIA			
DIVISION	FAMILY NAME	GIVEN NAME	
SENPO	Ovchinnikova	Mariia	
First			
CHUKEN	Bulatova	Ekaterina	
Second			
TAISHO	Alekseeva	Evgeniia	
Last			
SUBSTITUTE			
UKRAINE			
DIVISION	FAMILY NAME	GIVEN NAME	
SENPO	Nikitinska	Olena	
First			
CHUKEN	Morenko	Yelizaveta	
Second			
TAISHO	Korytina	Dariia	
Last			
SUBSTITUTE			