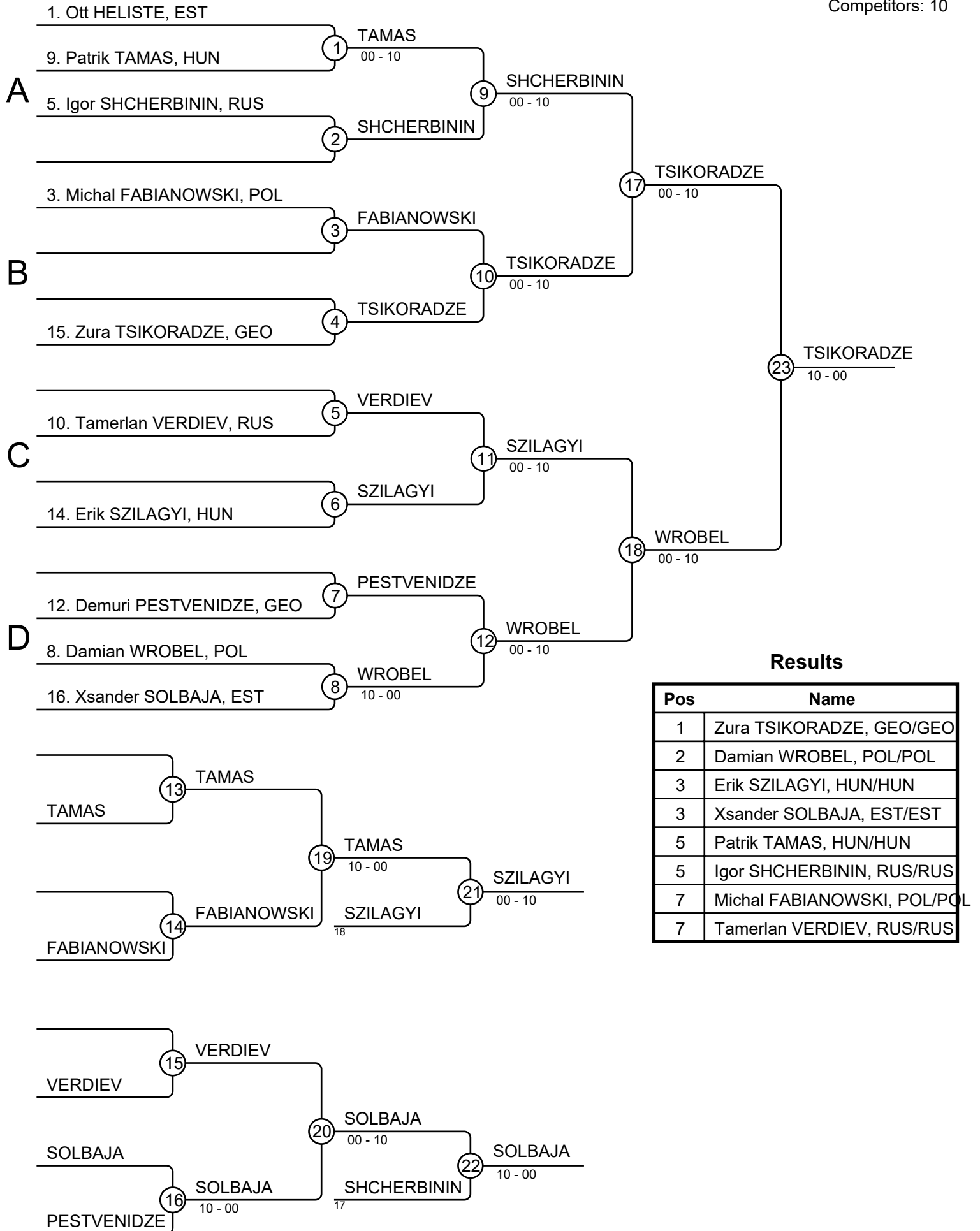


Sumo Youth EC 26-28.10.2018 Estonia MU18ABS

Competitors: 10

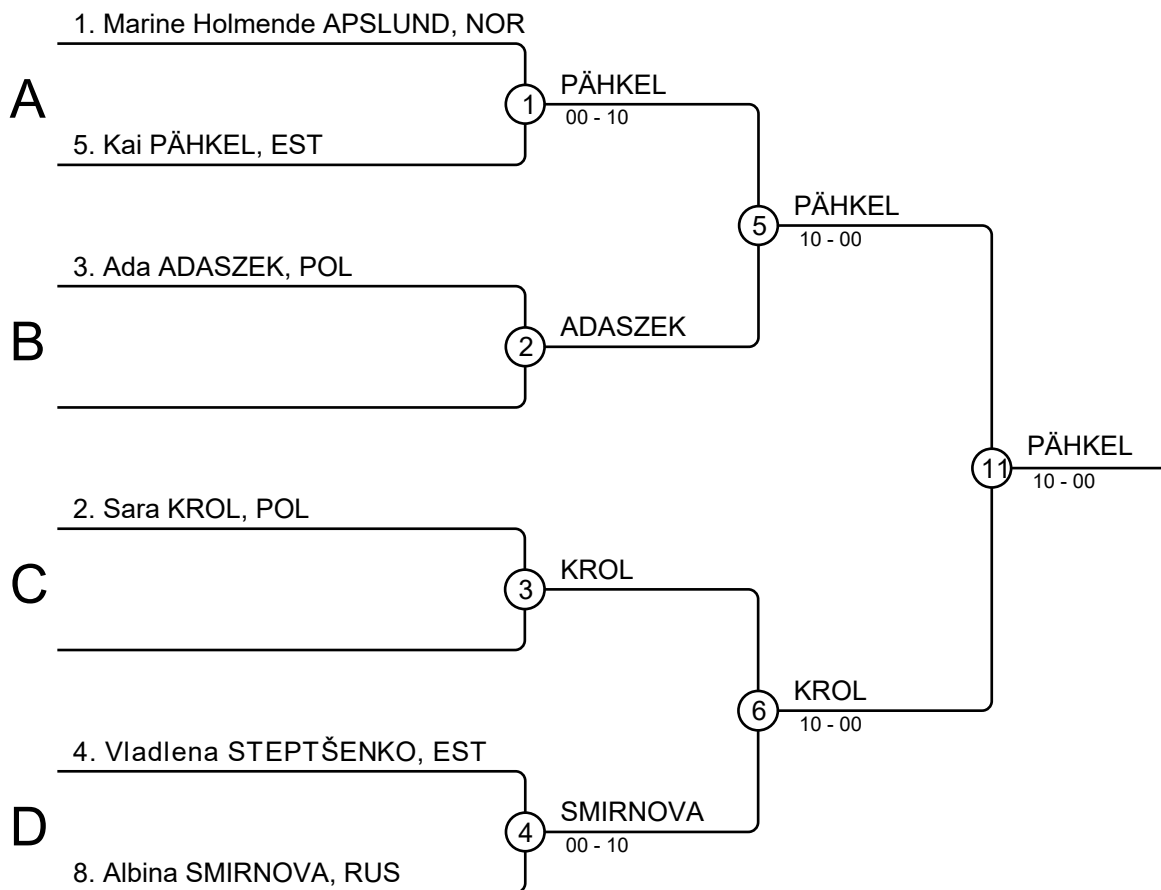


Results

Pos	Name
1	Zura TSIKORADZE, GEO/GEO
2	Damian WROBEL, POL/POL
3	Erik SZILAGYI, HUN/HUN
3	Xsander SOLBAJA, EST/EST
5	Patrik TAMAS, HUN/HUN
5	Igor SHCHERBININ, RUS/RUS
7	Michal FABIANOWSKI, POL/POL
7	Tamerlan VERDIEV, RUS/RUS

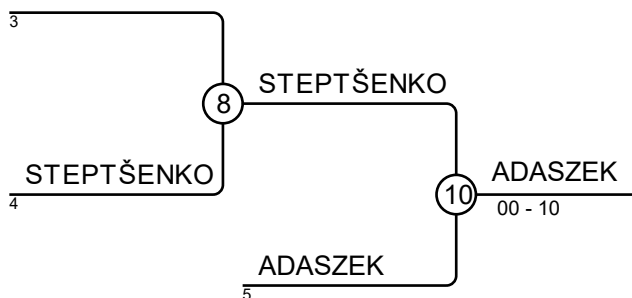
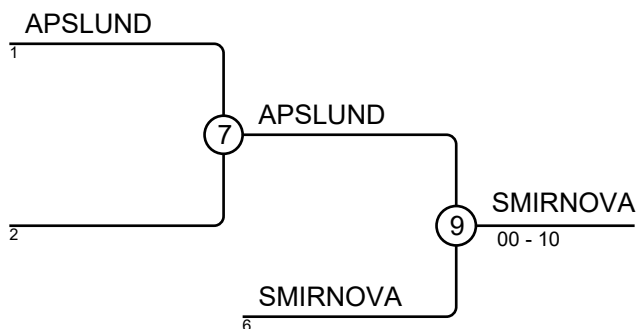
Sumo Youth EC 26-28.10.2018 Estonia WU18ABS

Competitors: 6



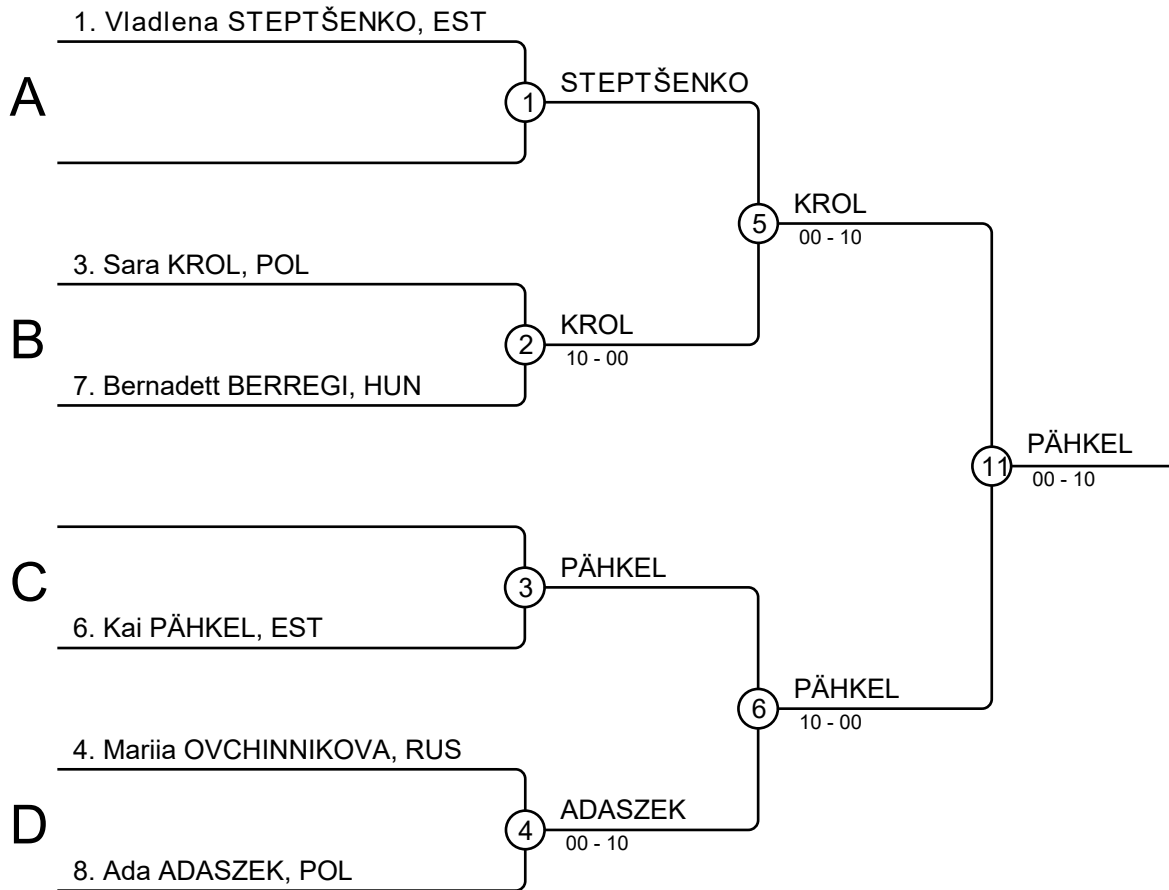
Results

Pos	Name
1	Kai PÄHKEL, EST/EST
2	Sara KROL, POL/POL
3	Albina SMIRNOVA, RUS/RUS
3	Ada ADASZEK, POL/POL
5	Marine Holmende APSLUND, NOR/NOR
5	Vladlena STEPTŠENKO, EST/EST
7	
7	



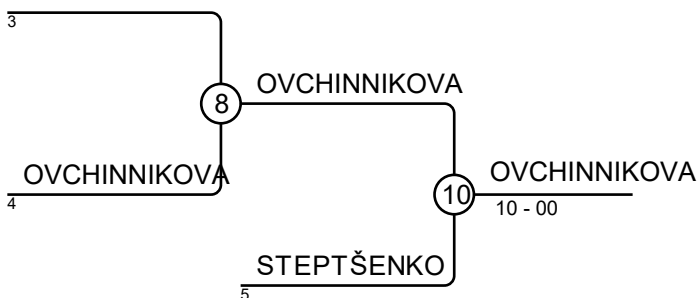
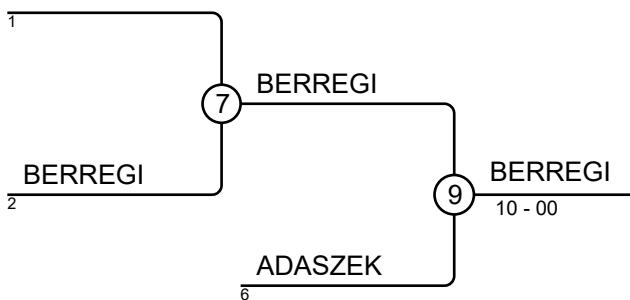
Sumo Youth EC 26-28.10.2018 Estonia WU18+75

Competitors: 6



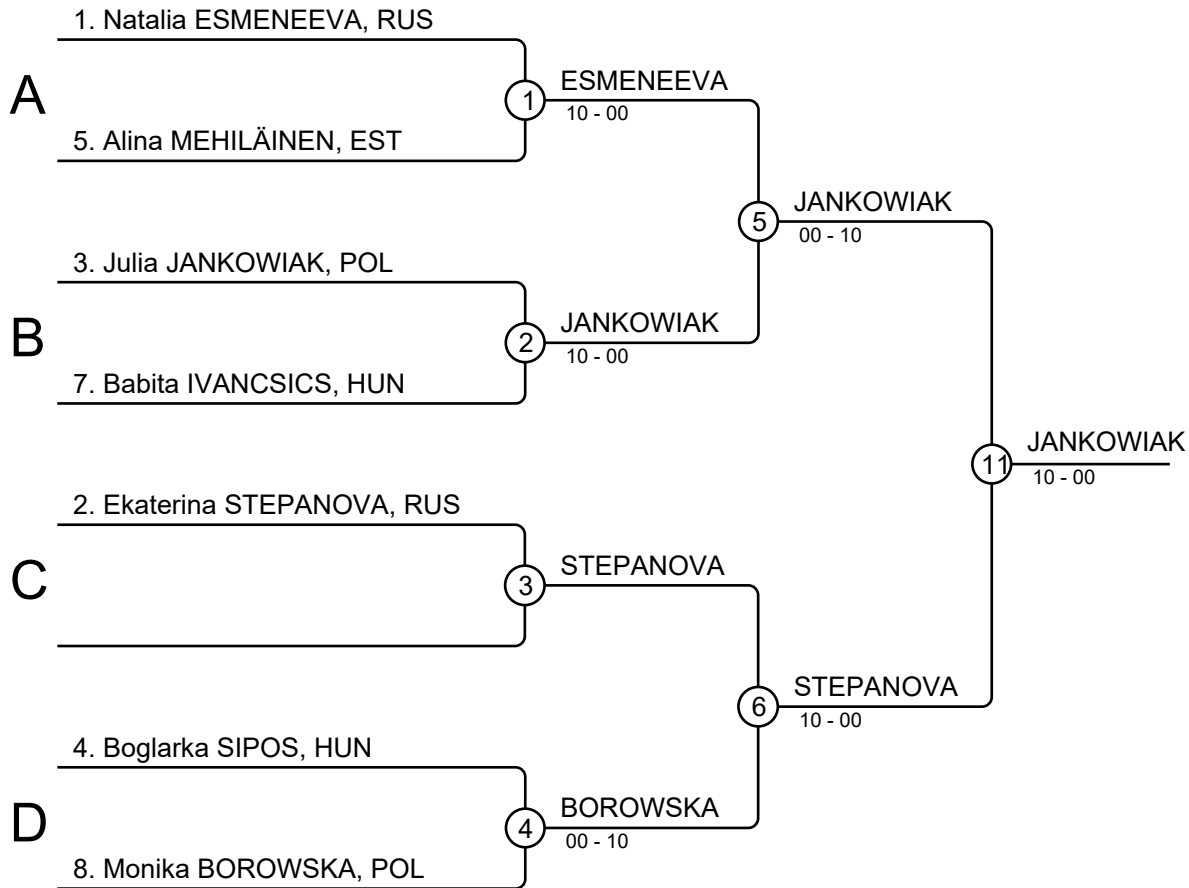
Results

Pos	Name
1	Kai PÄHKEL, EST/EST
2	Sara KROL, POL/POL
3	Bernadett BERREGI, HUN/HUN
3	Mariia OVCHINNIKOVA, RUS/RUS
5	Ada ADASZEK, POL/POL
5	Vladlena STEPTŠENKO, EST/EST
7	
7	



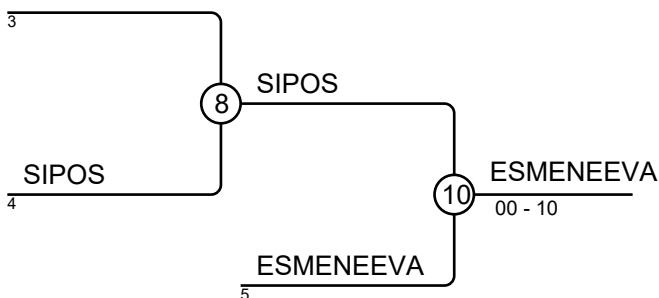
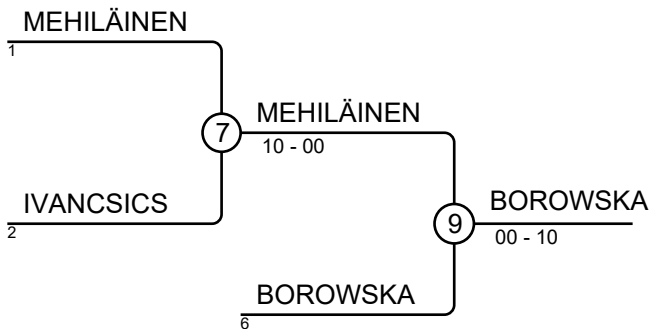
Sumo Youth EC 26-28.10.2018 Estonia WU18-50

Competitors: 7



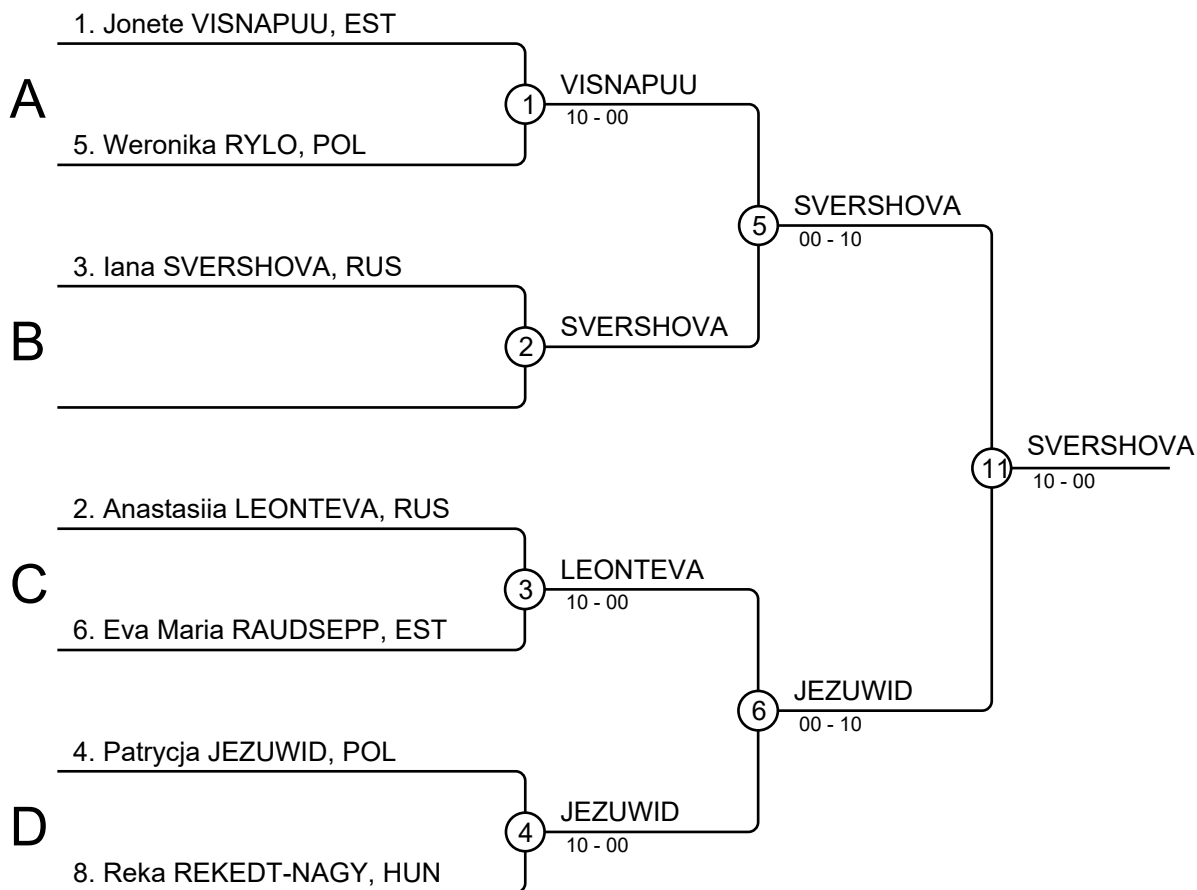
Results

Pos	Name
1	Julia JANKOWIAK, POL/POL
2	Ekaterina STEPANOVA, RUS/RUS
3	Monika BOROWSKA, POL/POL
3	Natalia ESMENEEVA, RUS/RUS
5	Alina MEHILÄINEN, EST/EST
5	Boglarka SIPOS, HUN/HUN
7	Babita IVANCSICS, HUN/HUN
7	



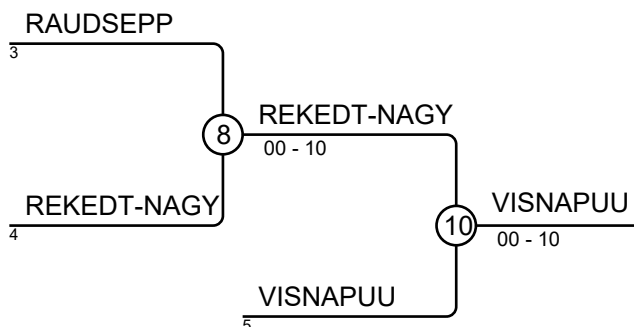
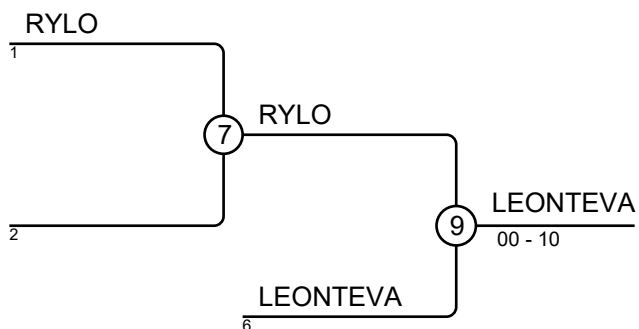
Sumo Youth EC 26-28.10.2018 Estonia WU18-55

Competitors: 7



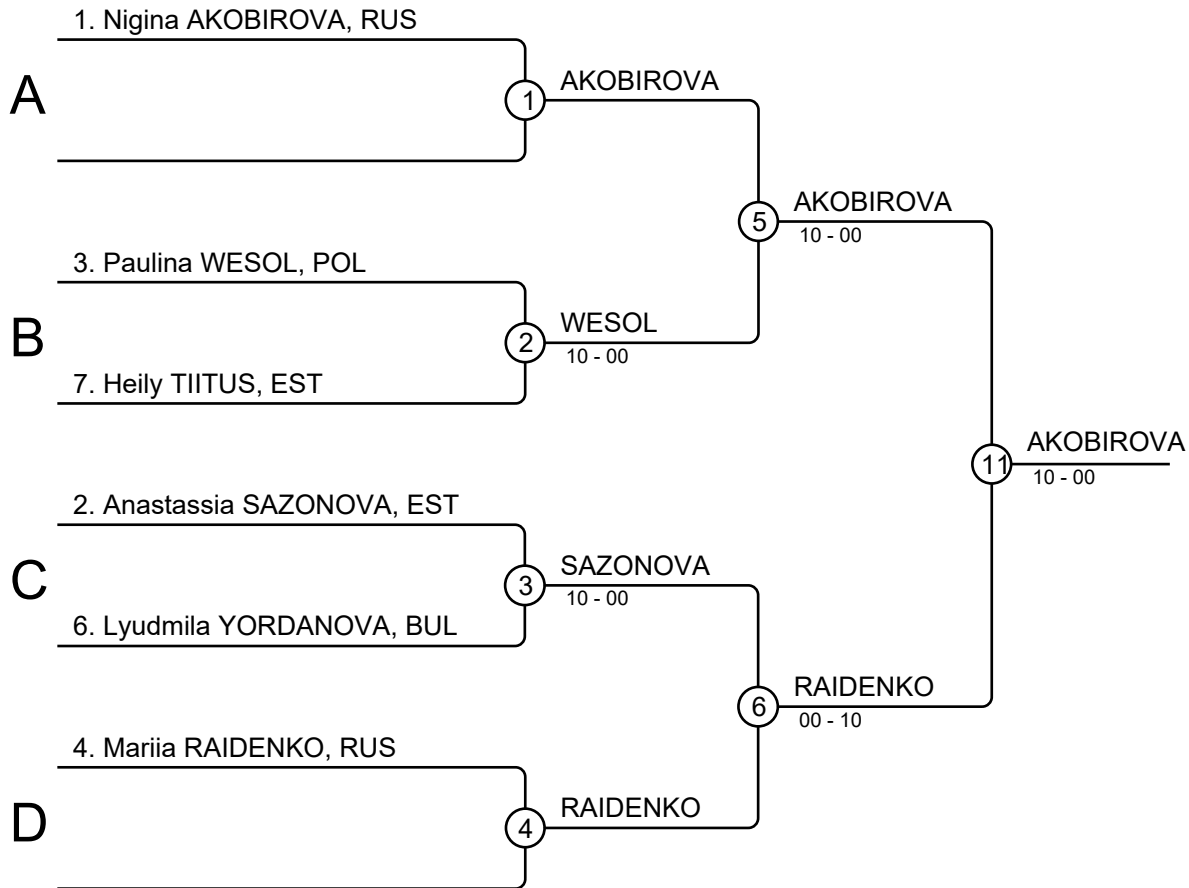
Results

Pos	Name
1	Iana SVERSHOVA, RUS/RUS
2	Patrycja JEZUWID, POL/POL
3	Anastasiia LEONTEVA, RUS/RUS
3	Jonete VISNAPUU, EST/EST
5	Weronika RYLO, POL/POL
5	Reka REKEDT-NAGY, HUN/HUN
7	
7	Eva Maria RAUDSEPP, EST/EST



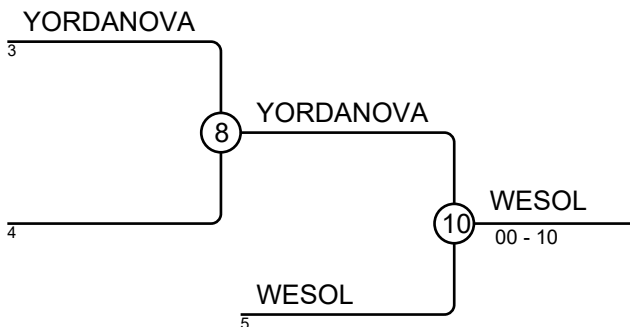
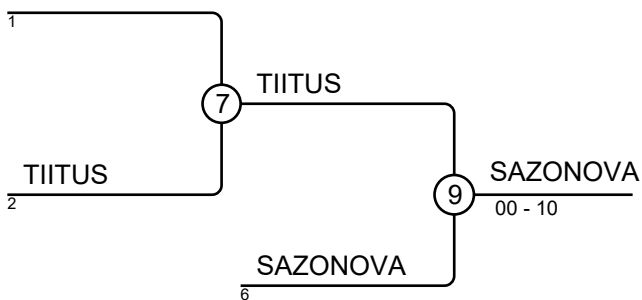
Sumo Youth EC 26-28.10.2018 Estonia WU18-60

Competitors: 6



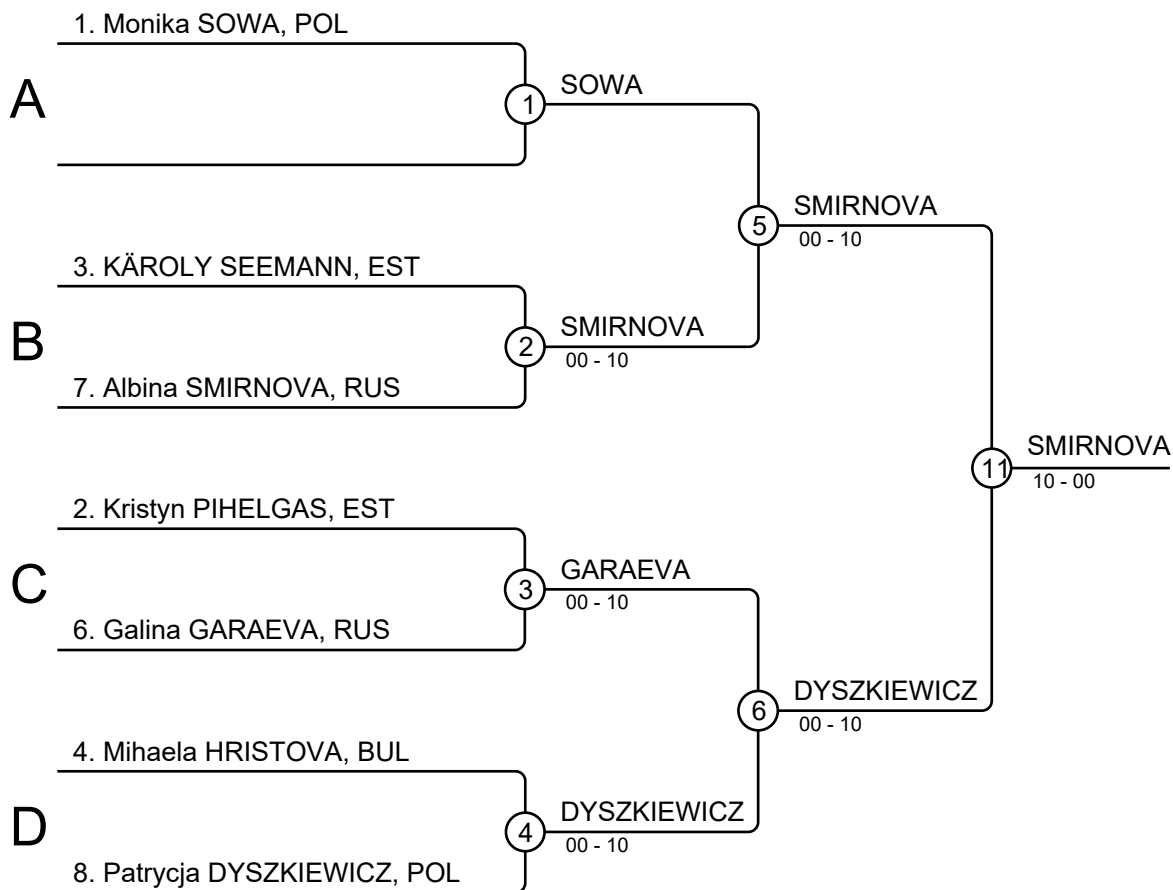
Results

Pos	Name
1	Nigina AKOBIROVA, RUS/RUS
2	Mariia RAIDENKO, RUS/RUS
3	Anastassia SAZONOVA, EST/EST
3	Paulina WESOL, POL/POL
5	Heily TIITUS, EST/EST
5	Lyudmila YORDANOVA, BUL/BUL
7	
7	



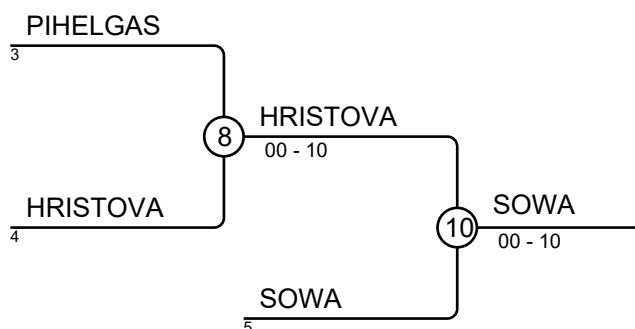
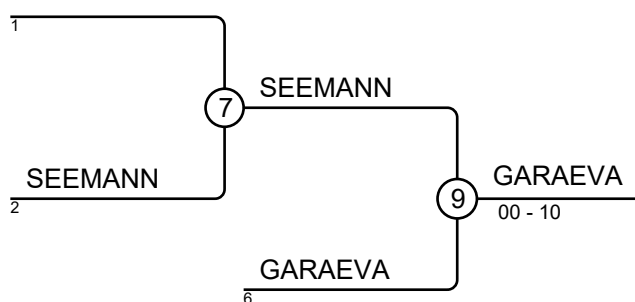
Sumo Youth EC 26-28.10.2018 Estonia WU18-65

Competitors: 7



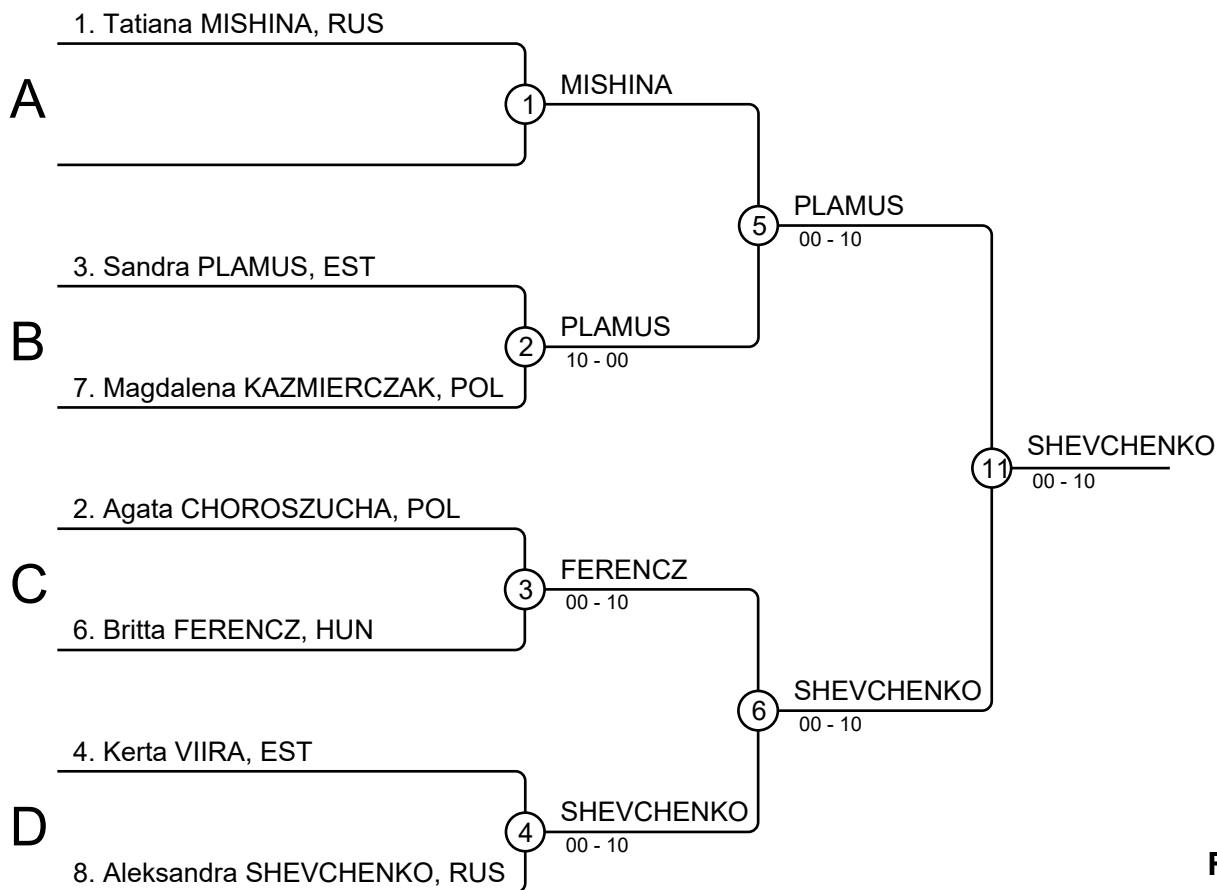
Results

Pos	Name
1	Albina SMIRNOVA, RUS/RUS
2	Patrycja DYSZKIEWICZ, POL/POL
3	Galina GARAEVA, RUS/RUS
3	Monika SOWA, POL/POL
5	KÄROLY SEEMANN, EST/EST
5	Mihaela HRISTOVA, BUL/BUL
7	
7	Kristyn PIHEL GAS, EST/EST



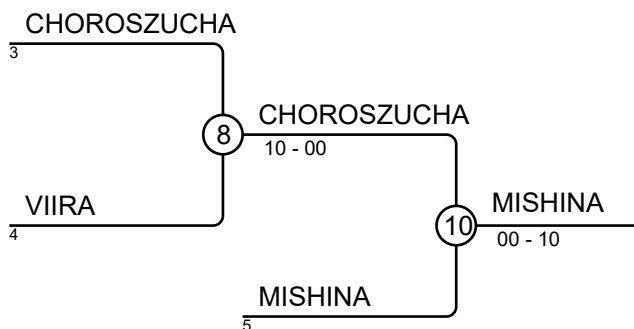
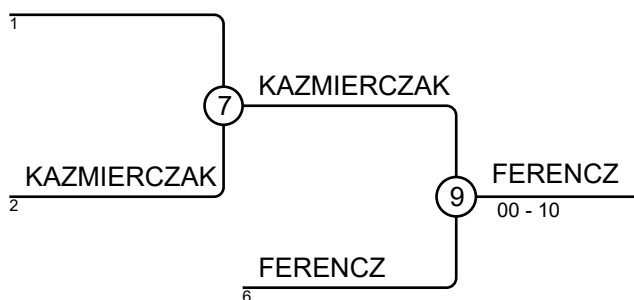
Sumo Youth EC 26-28.10.2018 Estonia WU18-70

Competitors: 7



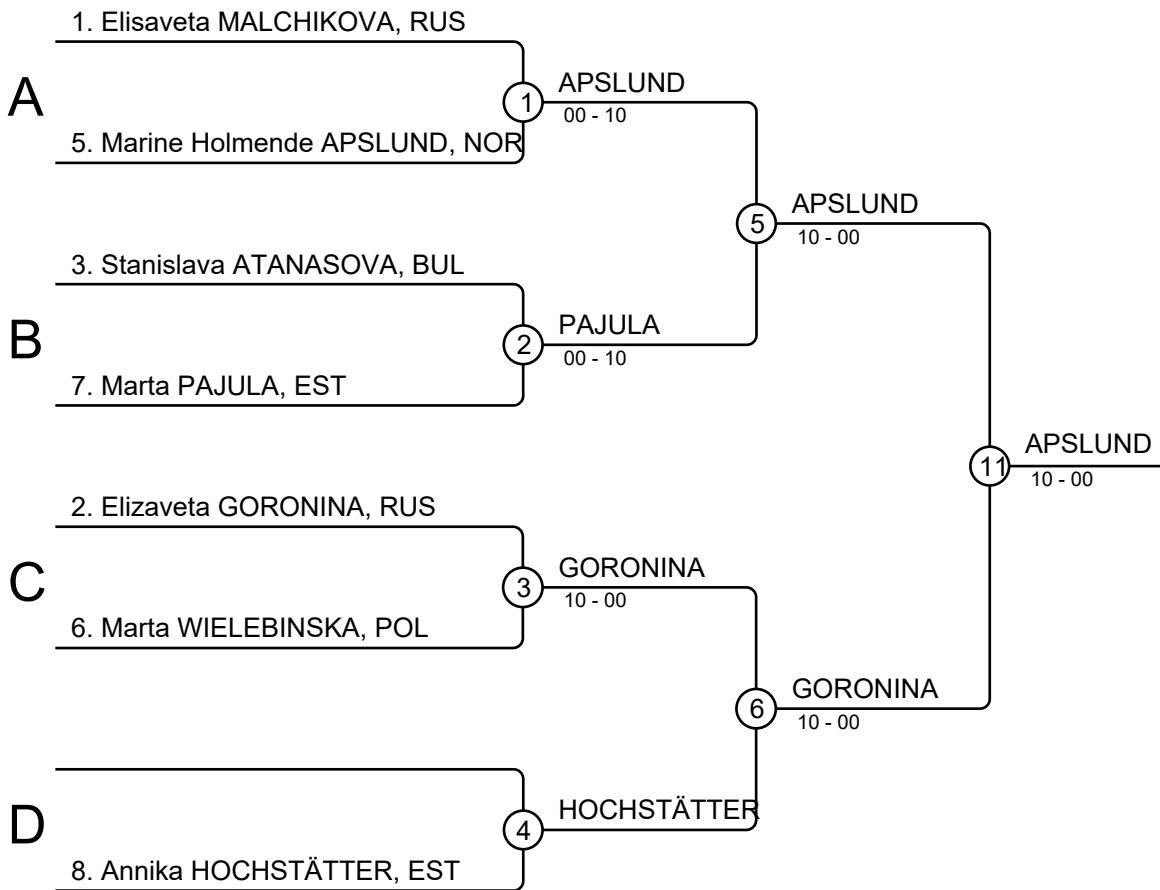
Results

Pos	Name
1	Aleksandra SHEVCHENKO, RUS/RUS
2	Sandra PLAMUS, EST/EST
3	Britta FERENCZ, HUN/HUN
3	Tatiana MISHINA, RUS/RUS
5	Magdalena KAZMIERCZAK, POL/POL
5	Agata CHOROSZUCHA, POL/POL
7	
7	Kerta VIIRA, EST/EST



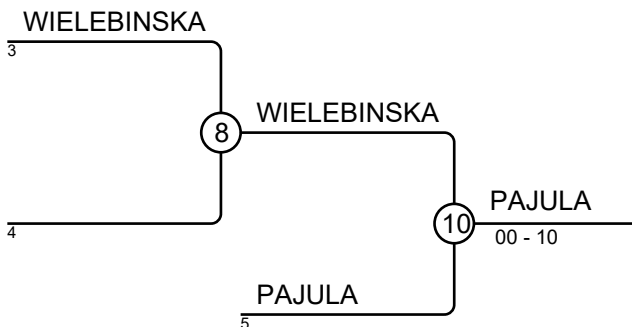
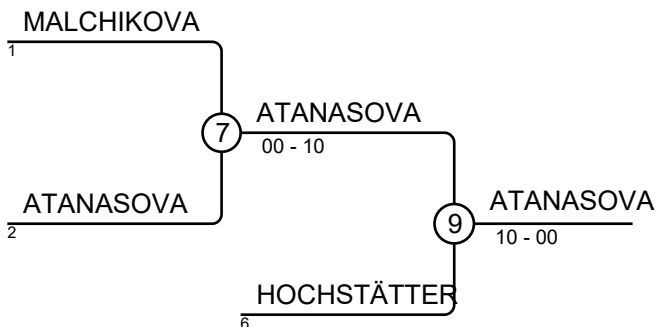
Sumo Youth EC 26-28.10.2018 Estonia WU18-75

Competitors: 7



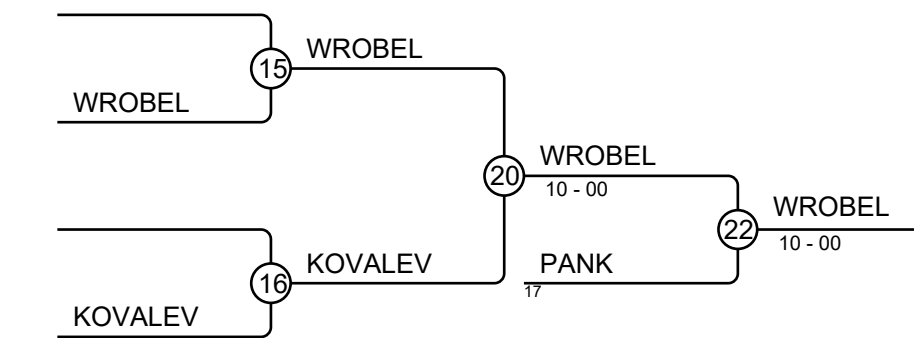
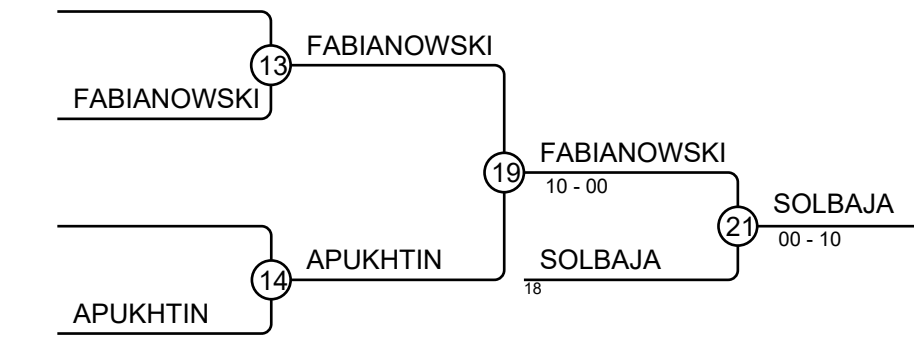
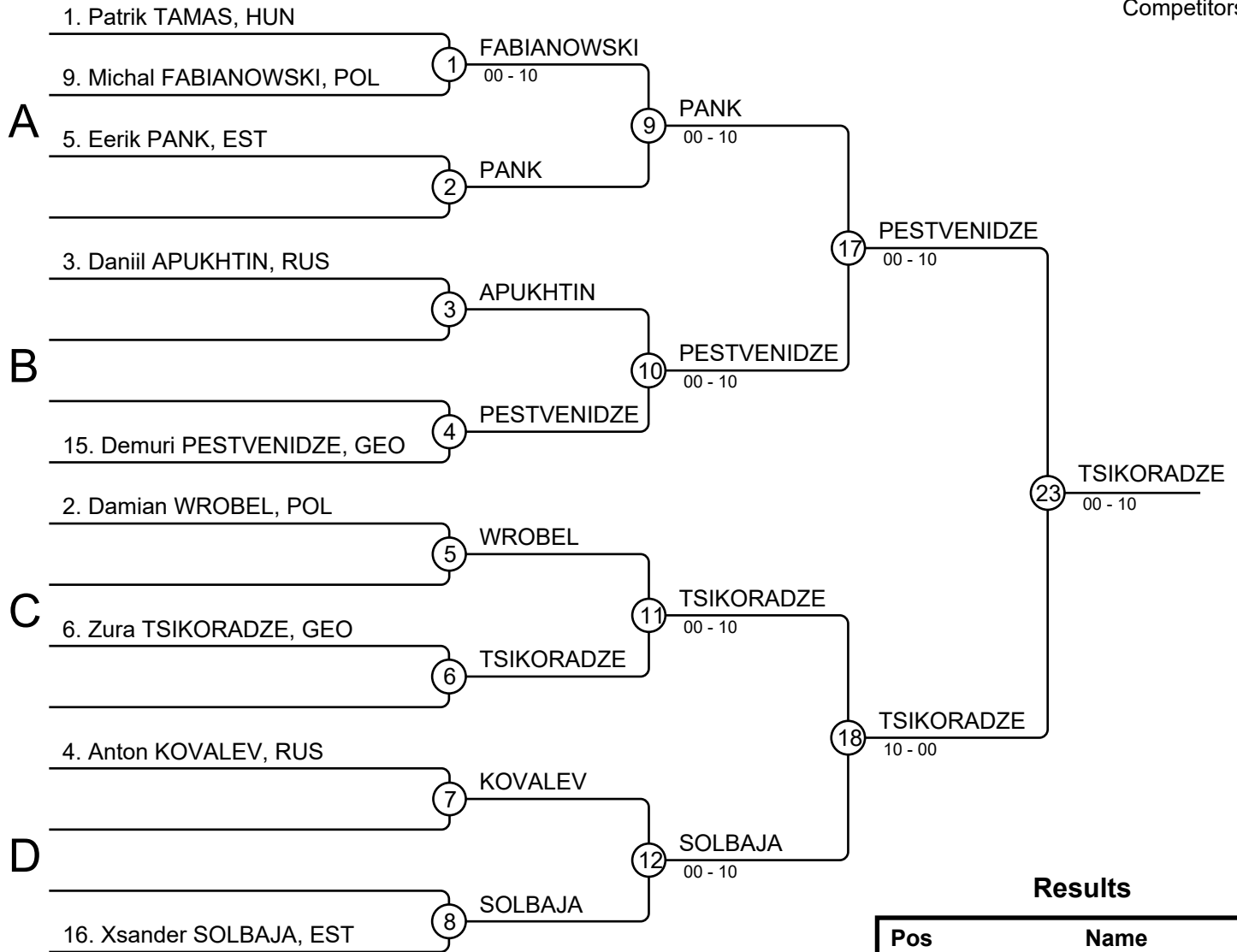
Results

Pos	Name
1	Marine Holmende APSLUND, NOR/NOR
2	Elizaveta GORONINA, RUS/RUS
3	Stanislava ATANASOVA, BUL/BUL
3	Marta PAJULA, EST/EST
5	Annika HOCHSTÄTTER, EST/EST
5	Marta WIELEBINSKA, POL/POL
7	Elisaveta MALCHIKOVA, RUS/RUS
7	



Sumo Youth EC 26-28.10.2018 Estonia MU18+100

Competitors: 9

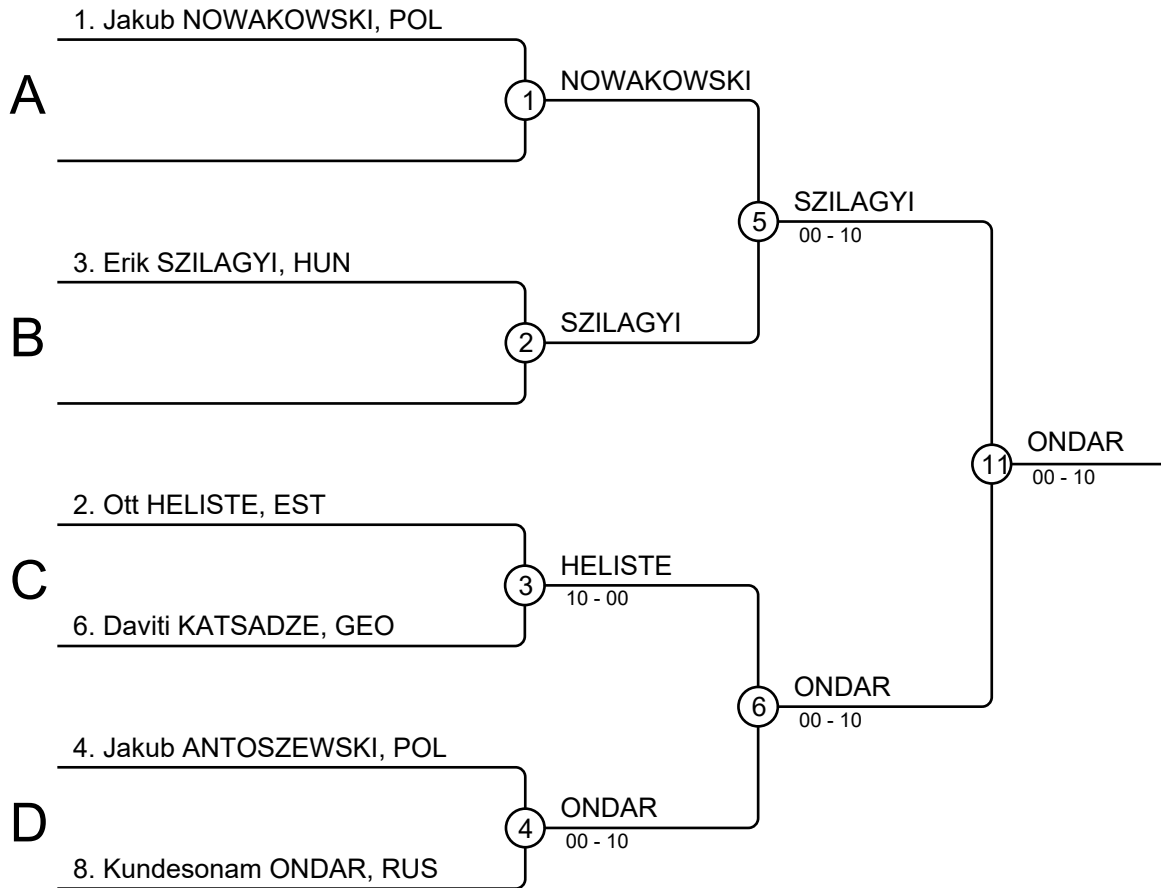


Results

Pos	Name
1	Zura TSIKORADZE, GEO/GEO
2	Demuri PESTVENIDZE, GEO/GEO
3	Xsander SOLBAJA, EST/EST
3	Damian WROBEL, POL/POL
5	Michal FABIANOWSKI, POL/POL
5	Eerik PANK, EST/EST
7	Daniil APUKHTIN, RUS/RUS
7	Anton KOVALEV, RUS/RUS

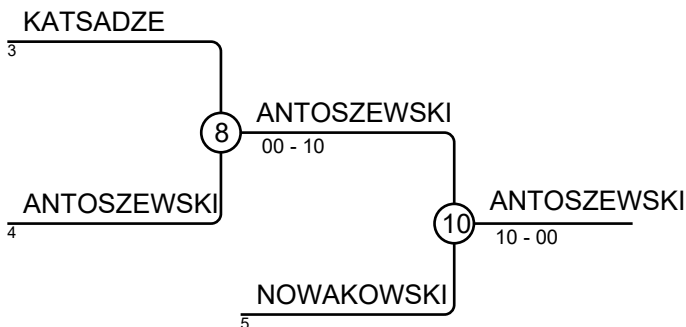
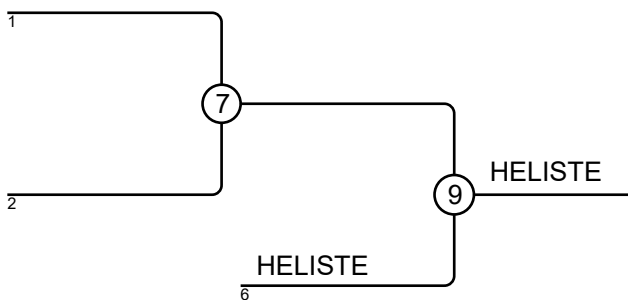
Sumo Youth EC 26-28.10.2018 Estonia MU18-100

Competitors: 6



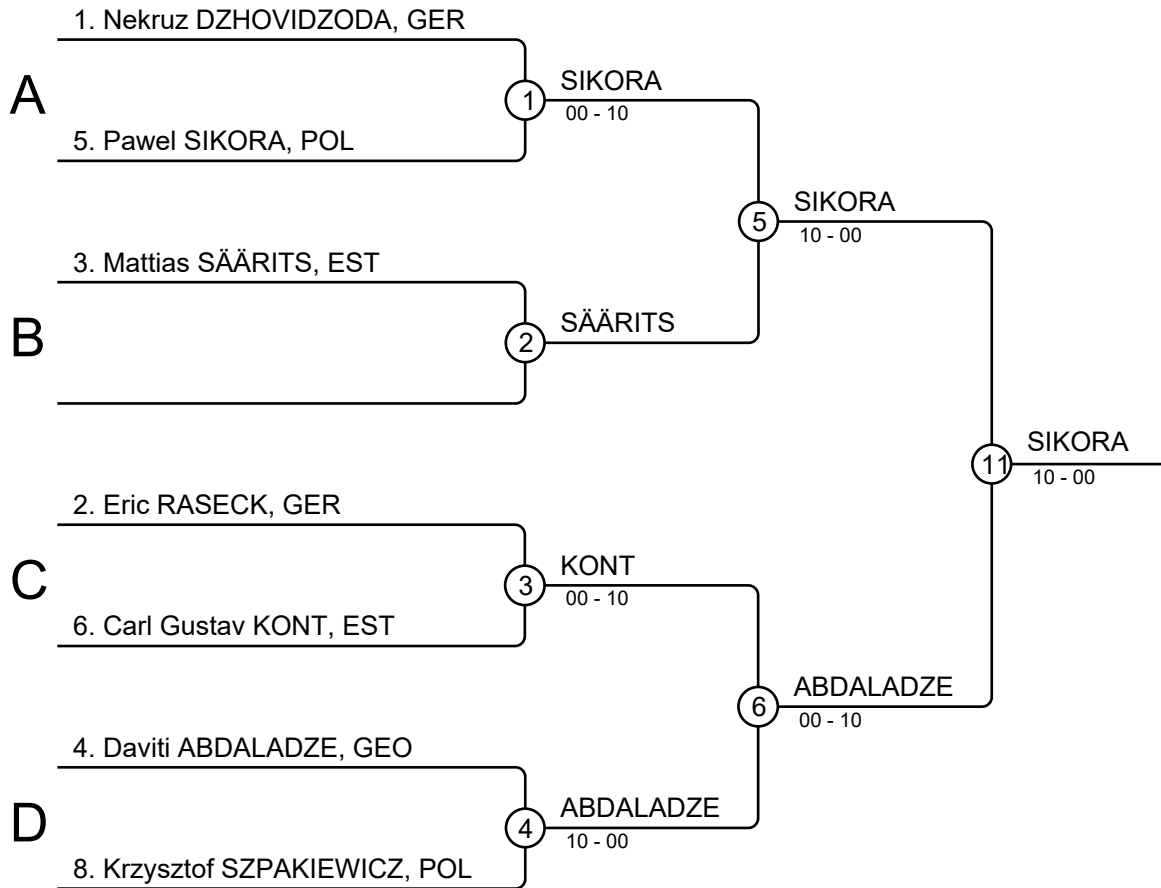
Results

Pos	Name
1	Kundesonam ONDAR, RUS/RUS
2	Erik SZILAGYI, HUN/HUN
3	Ott HELISTE, EST/EST
3	Jakub ANTOSZEWSKI, POL/POL
5	
5	Jakub NOWAKOWSKI, POL/POL
7	
7	Daviti KATSADZE, GEO/GEO



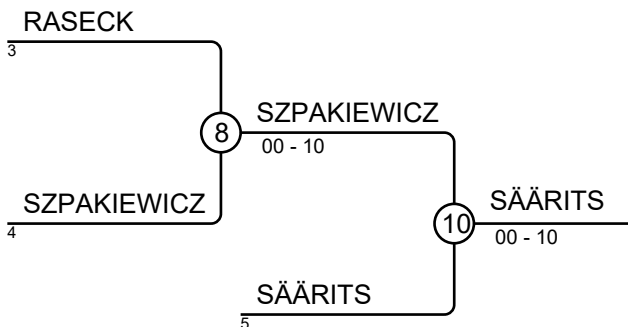
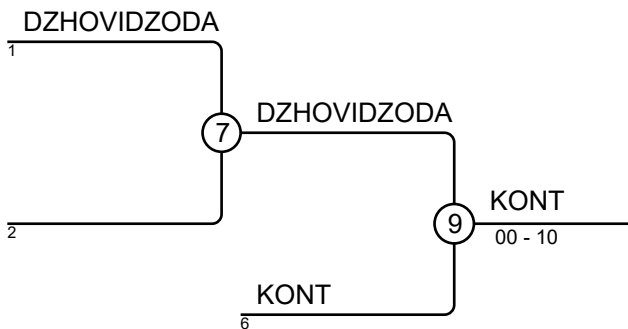
Sumo Youth EC 26-28.10.2018 Estonia MU18-60

Competitors: 7



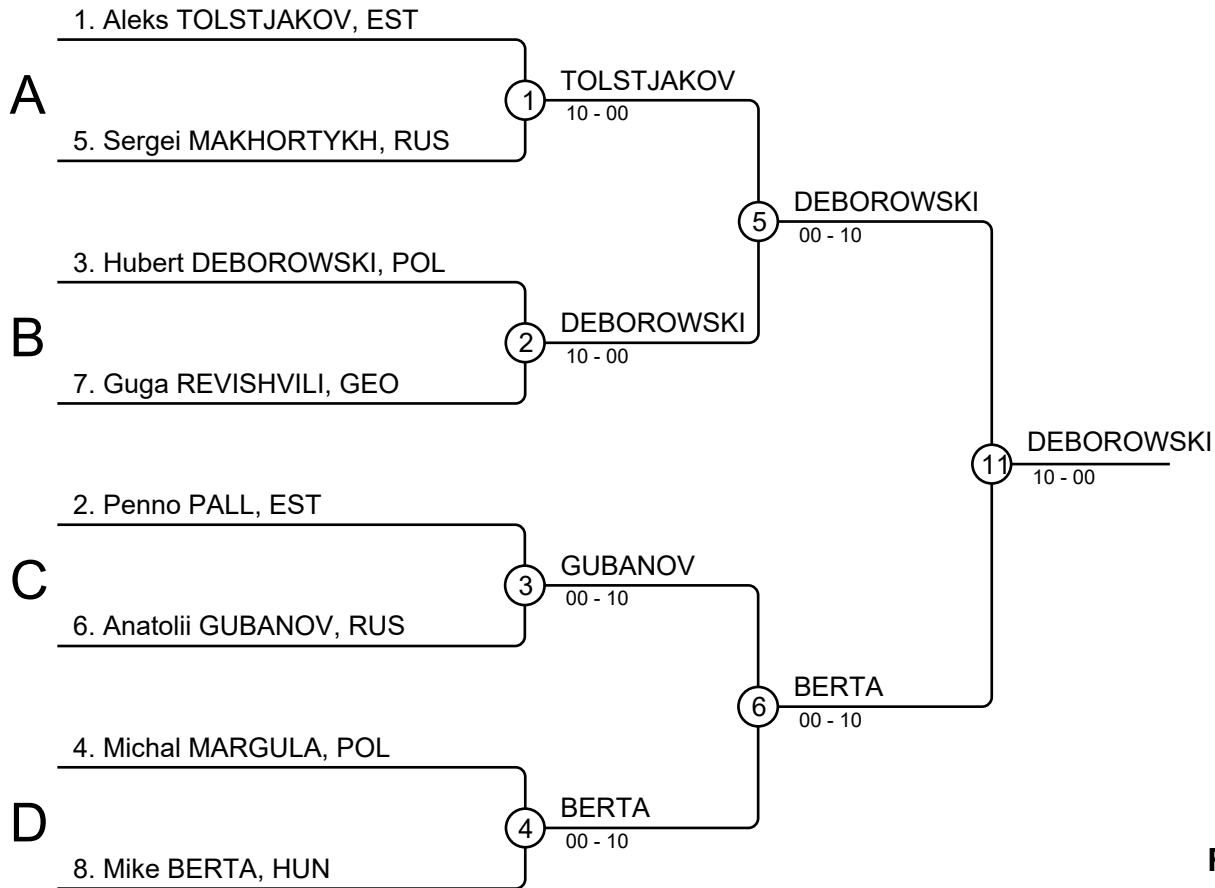
Results

Pos	Name
1	Pawel SIKORA, POL/POL
2	Daviti ABDALADZE, GEO/GEO
3	Carl Gustav KONT, EST/EST
3	Mattias SÄÄRITS, EST/EST
5	Nekruz DZHOVIDZODA, GER/GER
5	Krzysztof SZPAKIEWICZ, POL/POL
7	
7	Eric RASECK, GER/GER



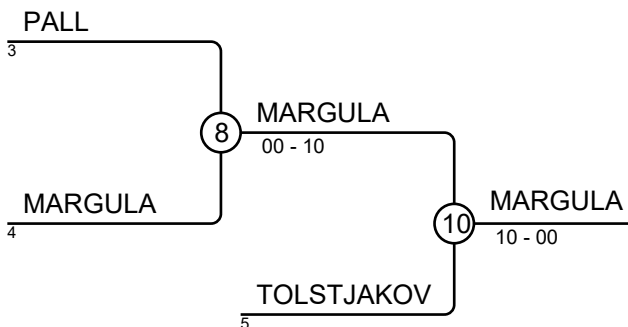
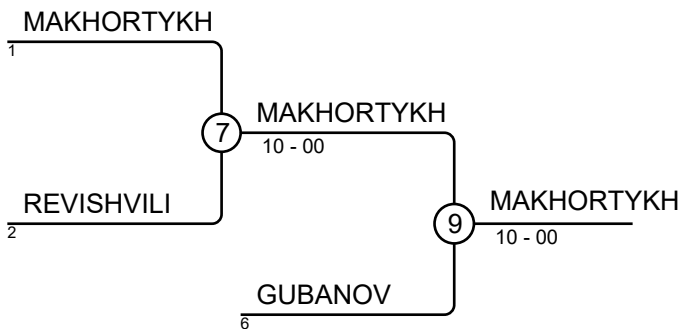
Sumo Youth EC 26-28.10.2018 Estonia MU18-70

Competitors: 8



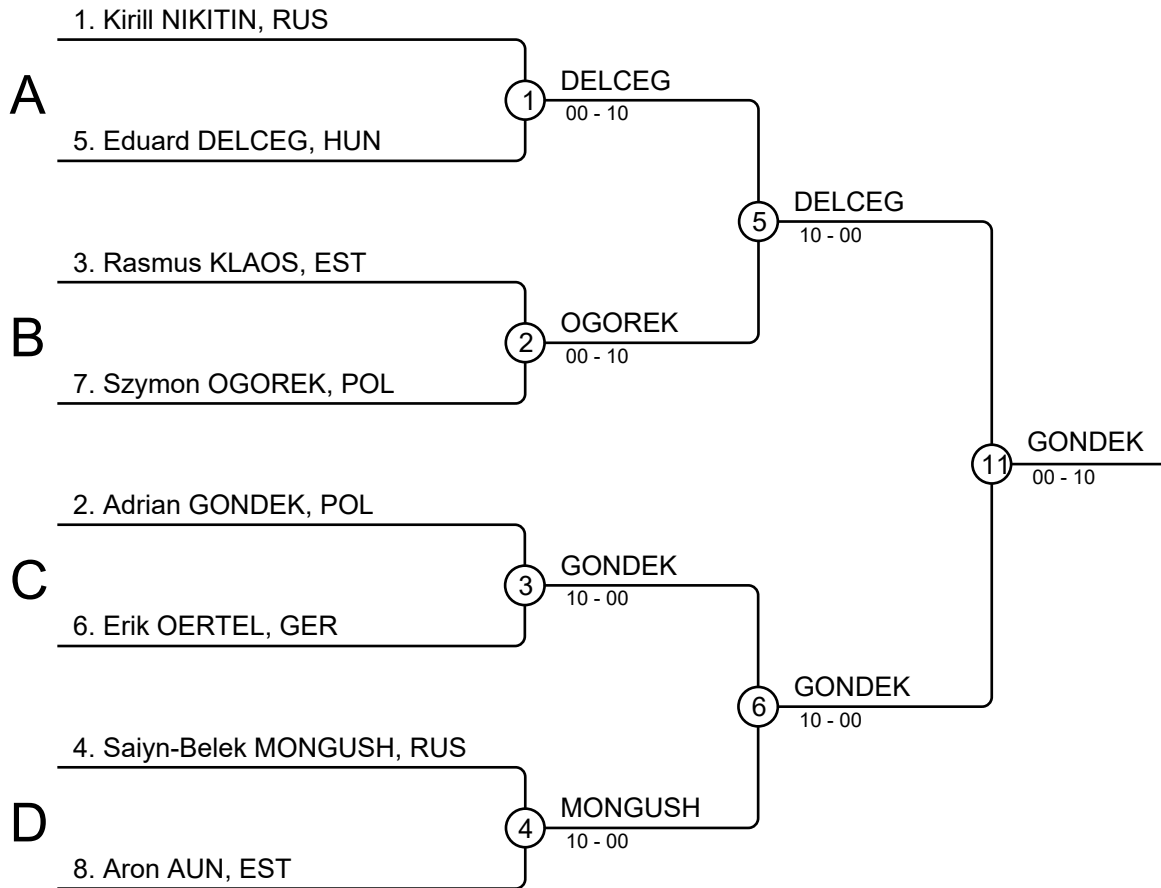
Results

Pos	Name
1	Hubert DEBOROWSKI, POL/POL
2	Mike BERTA, HUN/HUN
3	Sergei MAKHORTYKH, RUS/RUS
3	Michal MARGULA, POL/POL
5	Anatolii GUBANOV, RUS/RUS
5	Aleks TOLSTJAKOV, EST/EST
7	Guga REVISHVILI, GEO/GEO
7	Penno PALL, EST/EST



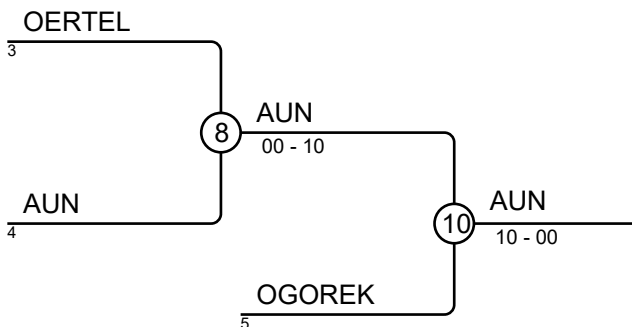
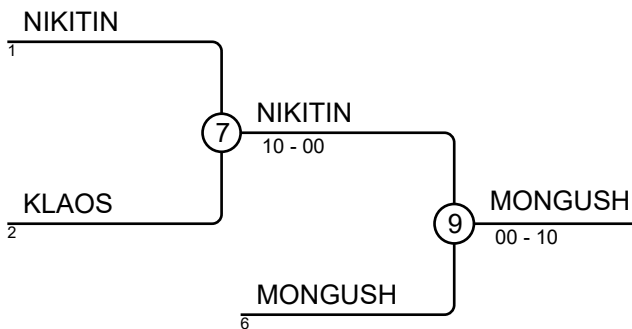
Sumo Youth EC 26-28.10.2018 Estonia MU18-80

Competitors: 8



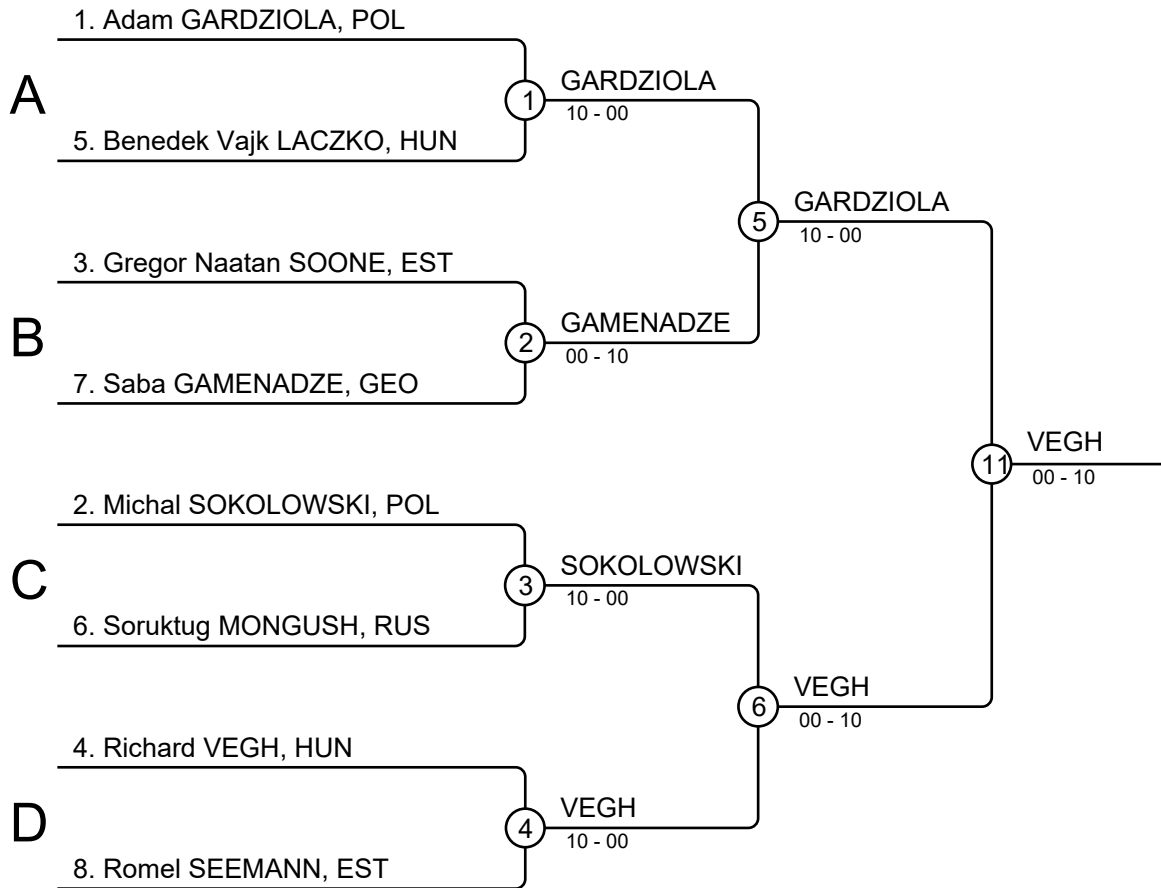
Results

Pos	Name
1	Adrian GONDEK, POL/POL
2	Eduard DELCEG, HUN/HUN
3	Saiyn-Belek MONGUSH, RUS/RUS
3	Aron AUN, EST/EST
5	Kirill NIKITIN, RUS/RUS
5	Szymon OGOREK, POL/POL
7	Rasmus KLAOS, EST/EST
7	Erik OERTEL, GER/GER



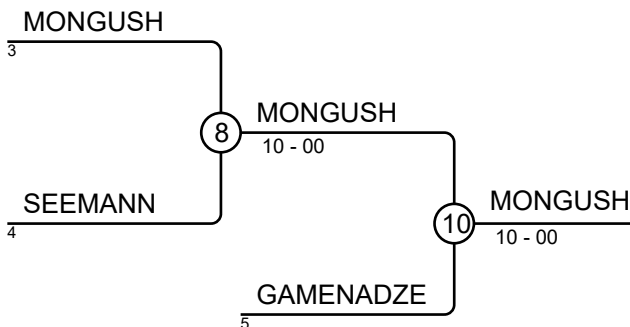
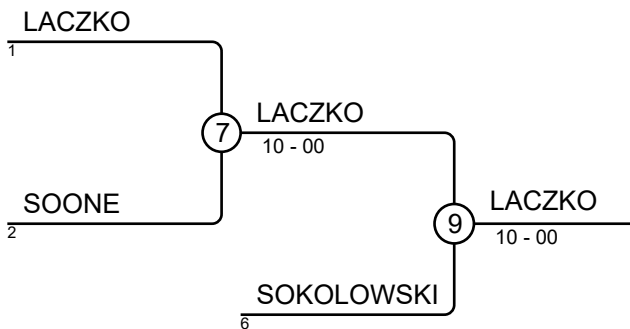
Sumo Youth EC 26-28.10.2018 Estonia MU18-90

Competitors: 8



Results

Pos	Name
1	Richard VEGH, HUN/HUN
2	Adam GARDZIOLA, POL/POL
3	Benedek Vajk LACZKO, HUN/HUN
3	Soruktug MONGUSH, RUS/RUS
5	Michal SOKOLOWSKI, POL/POL
5	Saba GAMENADZE, GEO/GEO
7	Gregor Naatan SOONE, EST/EST
7	Romel SEEMANN, EST/EST



Sumo Youth EC 26-28.10.2018 Estonia MU18

Competitors

Competitors: 5

#	Name	Grade	Club	1	2	3	4	5	Wins	Pts	Pos
1	HUN4	?			3/0	3/0	2/0	2/0	4	10	1
2	POL4	?				2/20		2/0	2	4	3
3	EST4	?					3/0	2/0	2	5	2
4	RUS4	?			2/0			3/0	2	5	3
5	GEO4	?							0	0	5

Matches

Match	White	Blue	Result	Time
1	RUS4	GEO4	3/0-0/0	0:07
2	HUN4	POL4	3/0-0/0	0:16
3	EST4	RUS4	3/0-0/0	0:03
4	HUN4	GEO4	2/0-1/0	0:09
5	POL4	EST4	2/20-1/10	0:05
6	HUN4	RUS4	2/0-1/0	0:02
7	EST4	GEO4	2/0-1/0	0:02
8	POL4	RUS4	1/0-2/0	0:04
9	HUN4	EST4	3/0-0/0	0:06
10	POL4	GEO4	2/0-1/0	0:07

Results

Pos	Name
1	HUN4,
2	EST4,
3	POL4,
3	RUS4,
5	GEO4,

Sumo Youth EC 26-28.10.2018 Estonia WU18

Competitors

Competitors: 4

#	Name	Grade	Club	1	2	3	4	Wins	Pts	Pos
1	RUS3	?				2/0		1	0	3
2	POL3	?		3/0		3/0		2	0	2
3	HUN3	?						0	0	3
4	EST3	?		2/0	3/0	2/0		3	0	1

Matches

Match	White	Grade	Blue	Grade	Result	Time
1	RUS3	1 2	POL3		0/0-3/0	0:03
2	HUN3	3 4	EST3		1/0-2/0	0:05
3	RUS3	1 3	HUN3		2/0-1/0	0:06
4	POL3	2 4	EST3		0/0-3/0	0:09
5	RUS3	1 4	EST3		1/0-2/0	0:06
6	POL3	2 3	HUN3		3/0-0/0	0:08

Results

Pos	Name
1	EST3,
2	POL3,
3	RUS3,
3	HUN3,

WU18 TEAMS			
ESTONIA			
DIVISION	FAMILY NAME	GIVEN NAME	
SENPO	Pähkel	Kai	
First			
CHUKEN	Pajula	Marta	
Second			
TAISHO	Plamus	Sandra	
Last			
SUBSTITUTE			
HUNGARY			
DIVISION	FAMILY NAME	GIVEN NAME	
SENPO	Berregi	Bernadett	
First			
CHUKEN	Rekedt-Nagy	Reka	
Second			
TAISHO	Ferencz	Brigitta	
Last			
SUBSTITUTE			
POLAND			
DIVISION	FAMILY NAME	GIVEN NAME	
SENPO	Krol	Sara	
First			
CHUKEN	Adazek	Ada	
Second			
TAISHO	Dysikiewicz	Patrycja	
Last			
SUBSTITUTE			

RUSSIA			
DIVISION	FAMILY NAME	GIVEN NAME	
SENPO	Goronina	Elizaveta	
First			
CHUKEN	Ovchinnikova	Mariia	
Second			
TAISHO	Smirnova	Albina	
Last			
SUBSTITUTE			

MU18 TEAMS			
ESTONIA			
DIVISION	FAMILY NAME	GIVEN NAME	
SENPO	Heliste	Ott	
First			
CHUKEN	Solbaja	Xsander	
Second			
TAISHO	Pank	Eerik	
Last			
SUBSTITUTE			
GEORGIA			
DIVISION	FAMILY NAME	GIVEN NAME	
SENPO	Tsokoradze	Zura	
First			
CHUKEN	Pestvenidze	Demuri	
Second			
TAISHO	Katsadze	Daviti	
Last			
SUBSTITUTE			
HUNGARY			
DIVISION	FAMILY NAME	GIVEN NAME	
SENPO	Vegh	Richard	
First			
CHUKEN	Szilagi	Erik	
Second			
TAISHO	Tamas	Patrik	
Last			
SUBSTITUTE			

POLAND			
DIVISION	FAMILY NAME	GIVEN NAME	
SENPO	Wrobel	Damian	
First			
CHUKEN	Antosleliski	Jakub	
Second			
TAISHO	Nowakowski	Jakub	
Last			
SUBSTITUTE			

RUSSIA			
DIVISION	FAMILY NAME	GIVEN NAME	
SENPO	Verdiev	Tamerlan	
First			
CHUKEN	Kovalev	Anton	
Second			
TAISHO	Shcerbinin	Igor	
Last			
SUBSTITUTE			