

# Sumo Championships 18-21.04.19 Estonia MU21+115

Competitors: 9

1. Hubert NIEMCZYK, POL

A

5. Jamal FEYZIYEV, AZE

B

11. Oliver VALDRE, EST

7. Badri KHATISKATSI, GEO

C

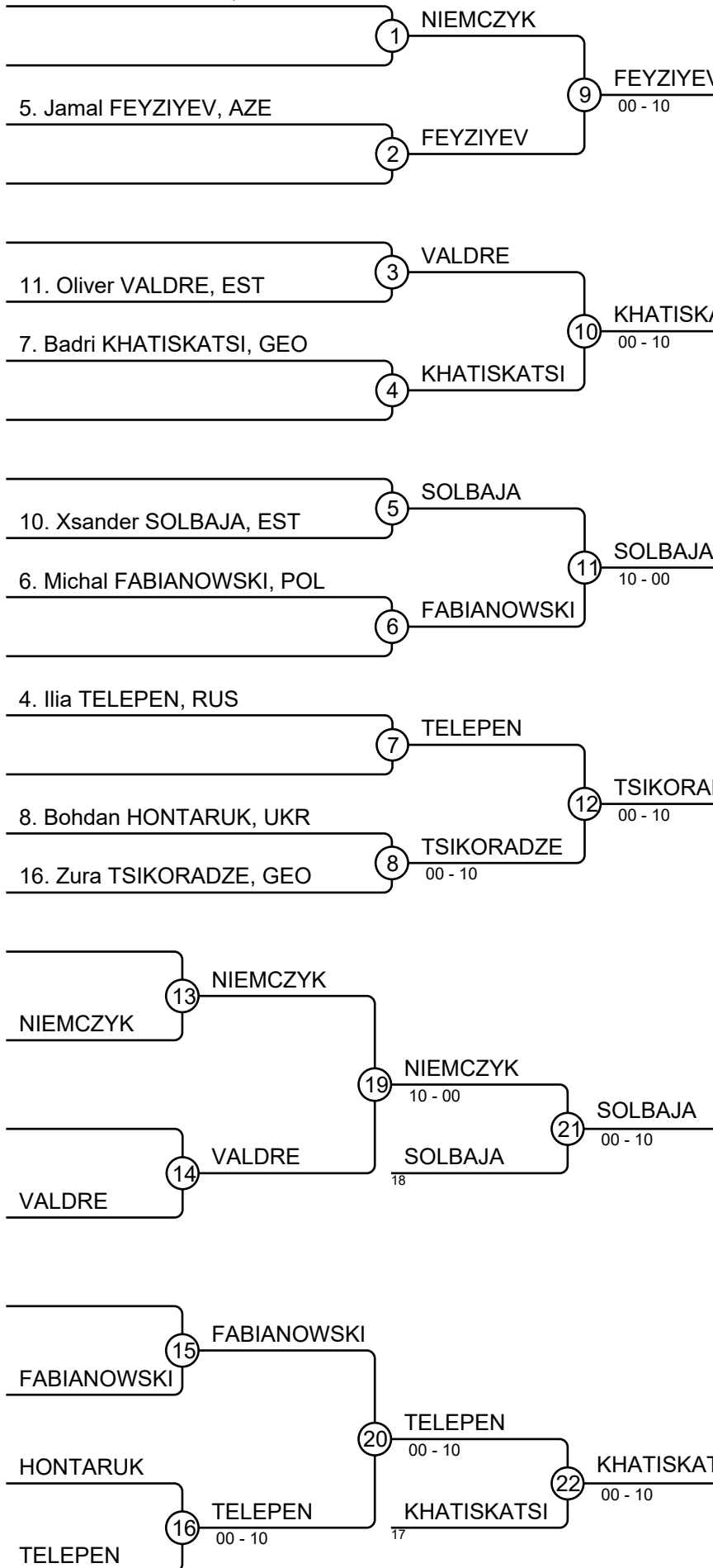
10. Xsander SOLBAJA, EST

6. Michal FABIANOWSKI, POL

D

8. Bohdan HONTARUK, UKR

16. Zura TSIKORADZE, GEO



## Results

Pos	Name
1	Jamal FEYZIYEV, AZE
2	Zura TSIKORADZE, GEO
3	Xsander SOLBAJA, EST
3	Badri KHATISKATSI, GEO
5	Hubert NIEMCZYK, POL
5	Ilia TELEPEN, RUS
7	Oliver VALDRE, EST
7	Michal FABIANOWSKI, POL

# Sumo Championships 18-21.04.19 Estonia MU21-100

Competitors: 6

1. Viktor GRITSKO, RUS

A

5. Jakub NOWAKOWSKI, POL

① GRITSKO  
10 - 00

3. Tamás MOLNÁR, HUN

B

② MOLNÁR

⑤ MOLNÁR  
00 - 10

2. Baasan BATKAR, RUS

C

③ BATKAR

⑥ BATKAR  
10 - 00

4. Jakub ANTOSZEWSKI, POL

D

④ ANTOSZEWSKI  
10 - 00

8. David KHAREBAVA, GEO

⑪ BATKAR  
00 - 10

## Results

Pos	Name
1	Baasan BATKAR, RUS
2	Tamás MOLNÁR, HUN
3	Jakub ANTOSZEWSKI, POL
3	Viktor GRITSKO, RUS
5	Jakub NOWAKOWSKI, POL
5	David KHAREBAVA, GEO
7	
7	

NOWAKOWSKI

1

⑦ NOWAKOWSKI

2

⑨ ANTOSZEWSKI  
00 - 10

⑥ ANTOSZEWSKI

6

3

⑧ KHAREBAVA

4 KHAREBAVA

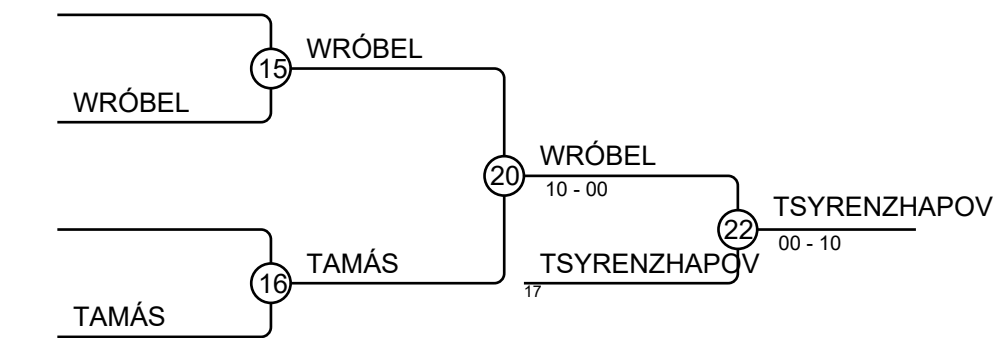
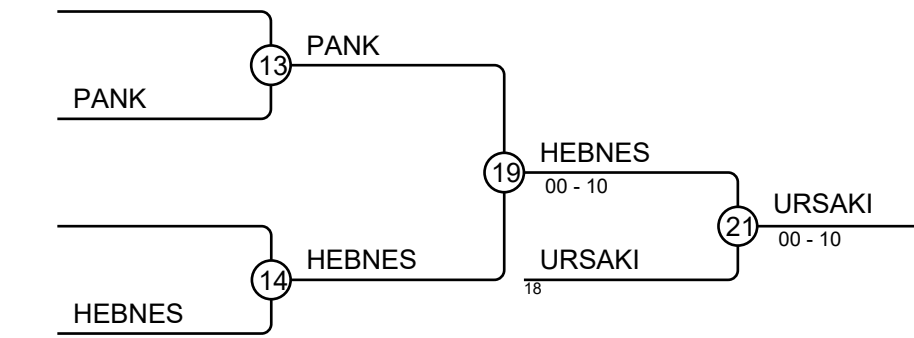
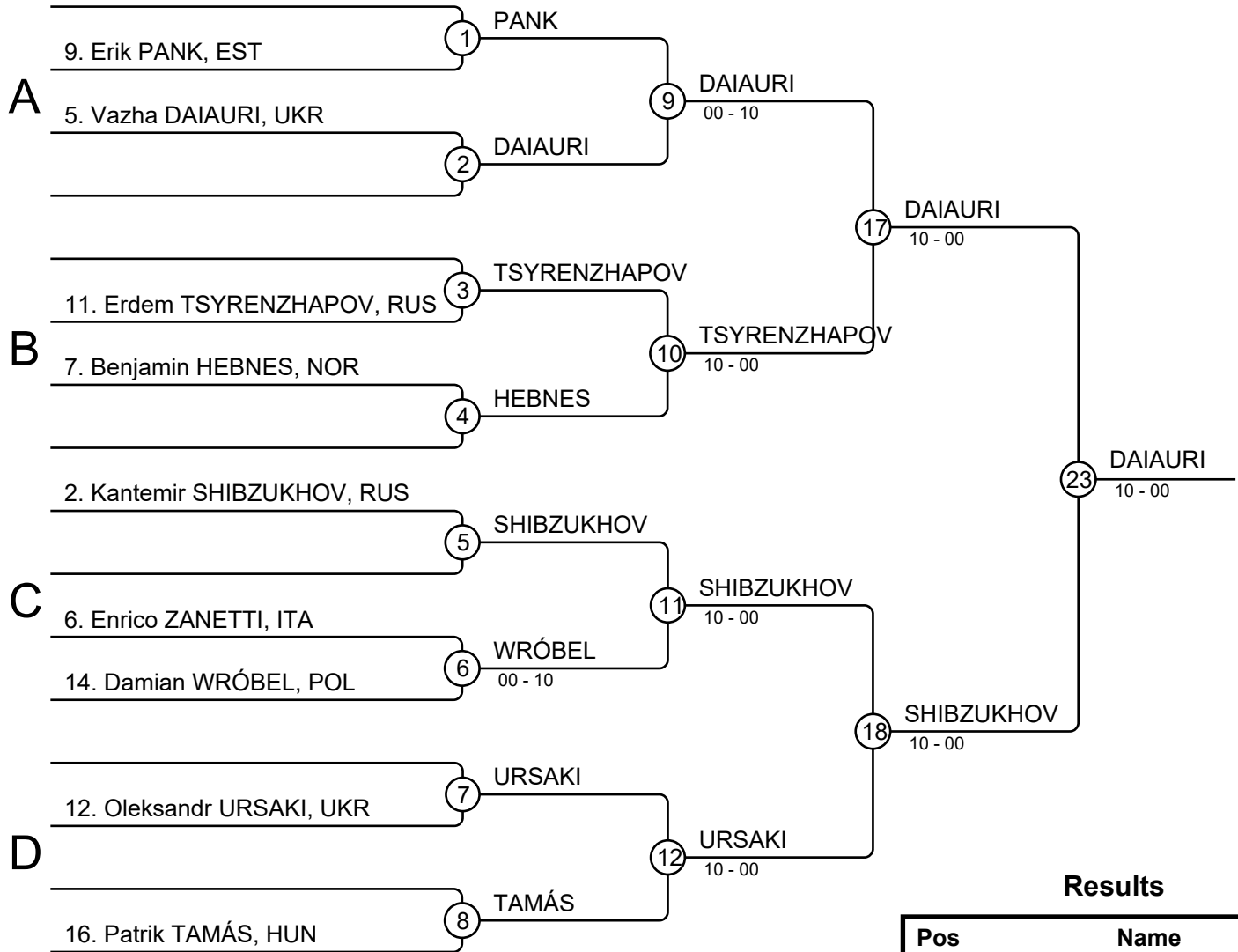
⑩ GRITSKO  
00 - 10

⑤ GRITSKO

5

# Sumo Championships 18-21.04.19 Estonia MU21-115

Competitors: 9

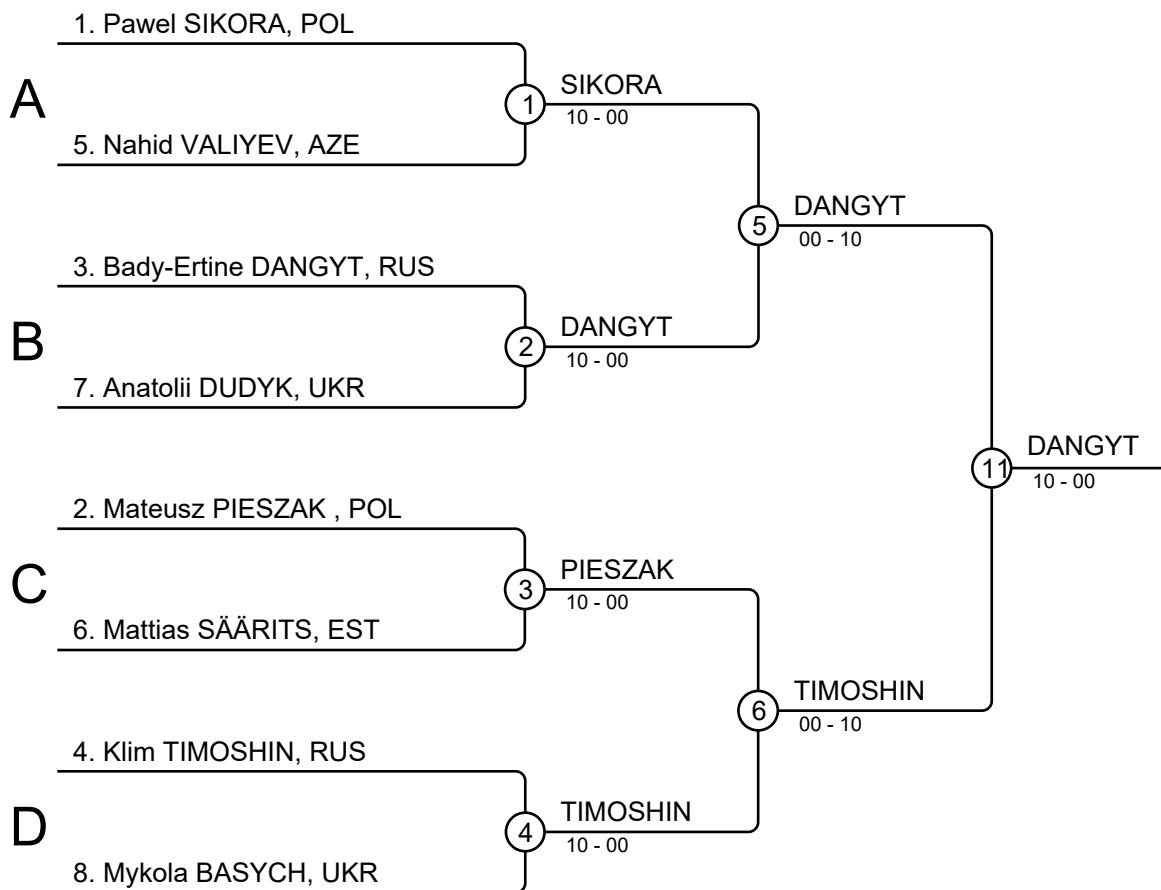


## Results

Pos	Name
1	Vazha DAIARI, UKR
2	Kantemir SHIBZUKHOV, RUS
3	Oleksandr URSAKI, UKR
3	Erdem TSYRENZHAPOV, RUS
5	Benjamin HEBNES, NOR
5	Damian WRÓBEL, POL
7	Erik PANK, EST
7	Patrik TAMÁS, HUN

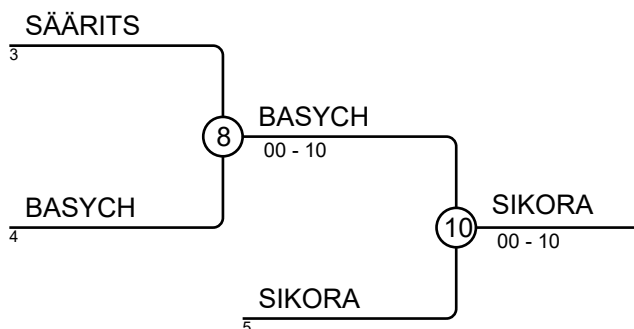
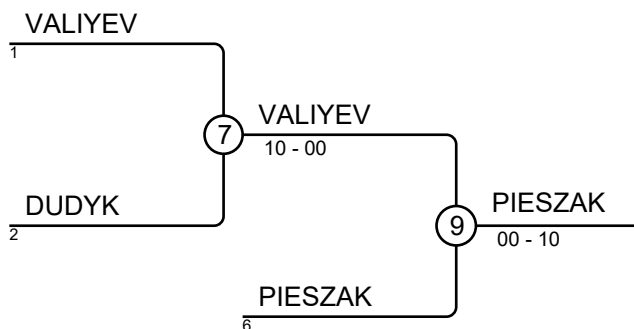
# Sumo Championships 18-21.04.19 Estonia MU21-60

Competitors: 8



## Results

Pos	Name
1	Bady-Ertine DANGYT, RUS
2	Klim TIMOSHIN, RUS
3	Mateusz PIESZAK, POL
3	Pawel SIKORA, POL
5	Nahid VALIYEV, AZE
5	Mykola BASYCH, UKR
7	Anatolii DUDYK, UKR
7	Mattias SÄÄRITS, EST



# Sumo Championships 18-21.04.19 Estonia MU21-70

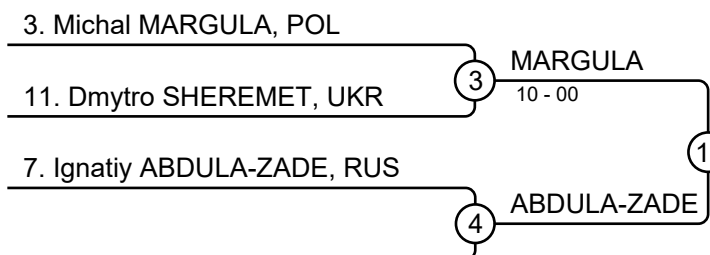
Competitors: 12

1. Patrik BUZÁS, HUN

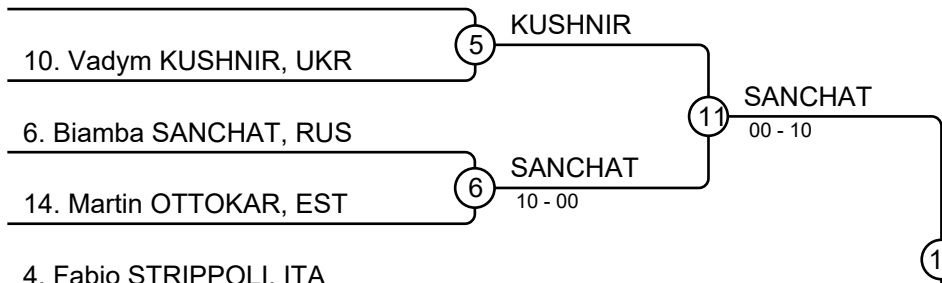
A



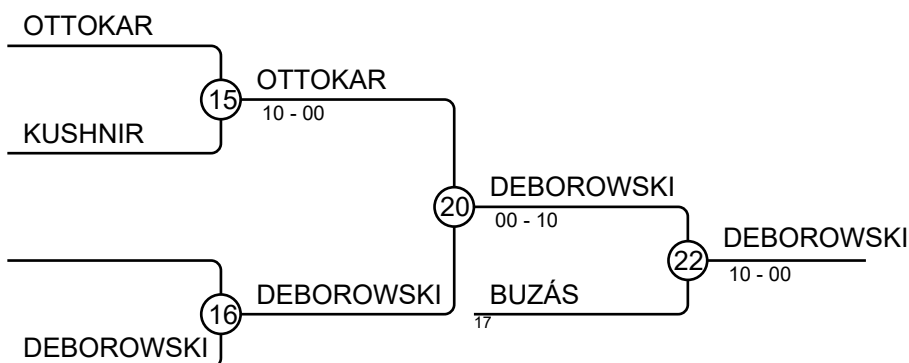
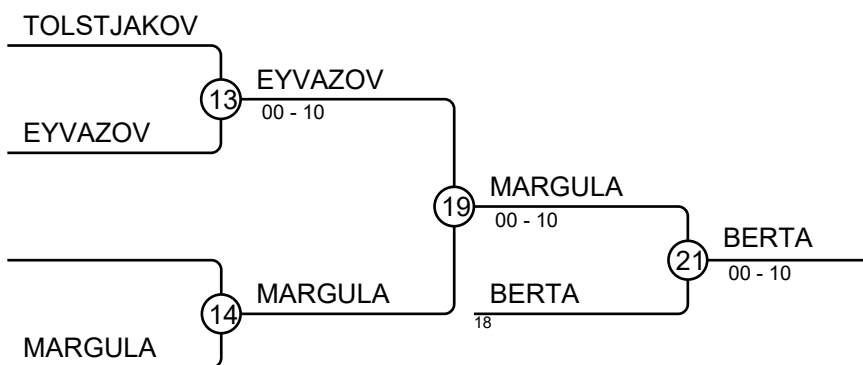
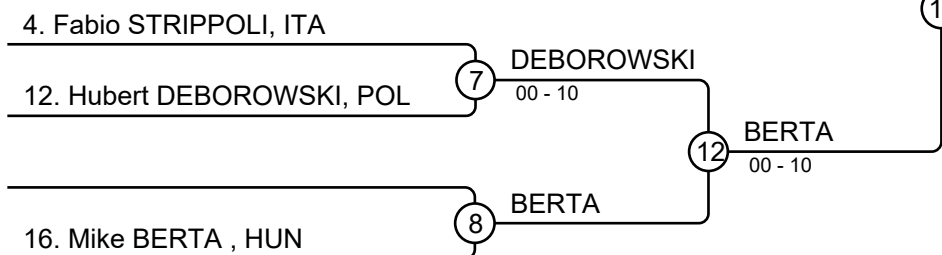
B



C



D

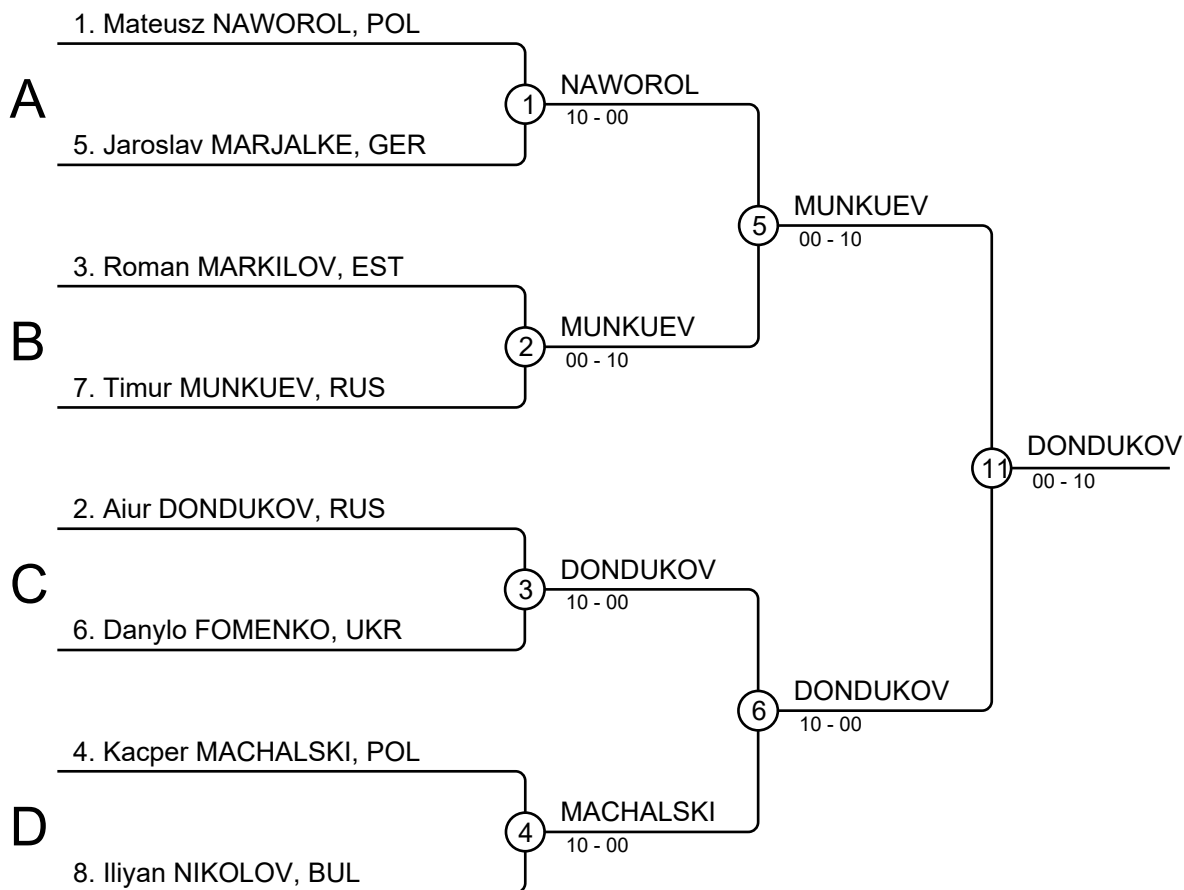


## Results

Pos	Name
1	Ignatij ABDULA-ZADE, RUS
2	Biamba SANCHAT, RUS
3	Mike BERTA, HUN
3	Hubert DEBOROWSKI, POL
5	Michal MARGULA, POL
5	Patrik BUZÁS, HUN
7	Maharam EYVAZOV, AZE
7	Martin OTTOKAR, EST

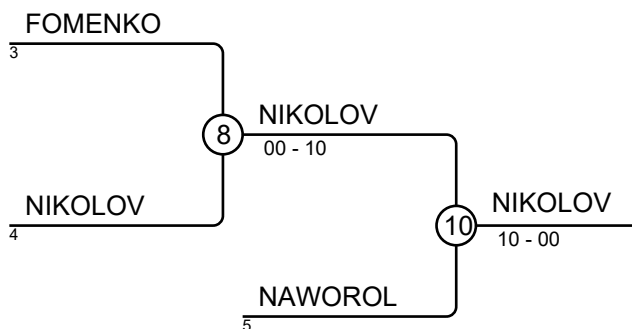
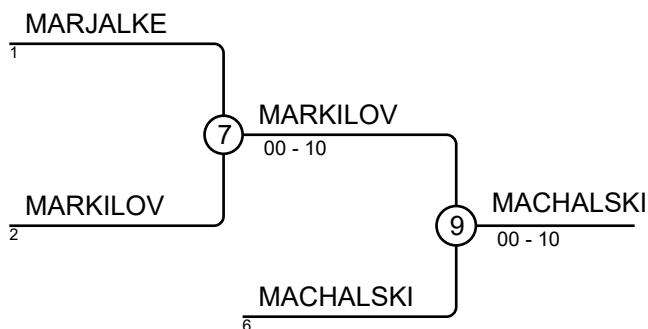
# Sumo Championships 18-21.04.19 Estonia MU21-77

Competitors: 8



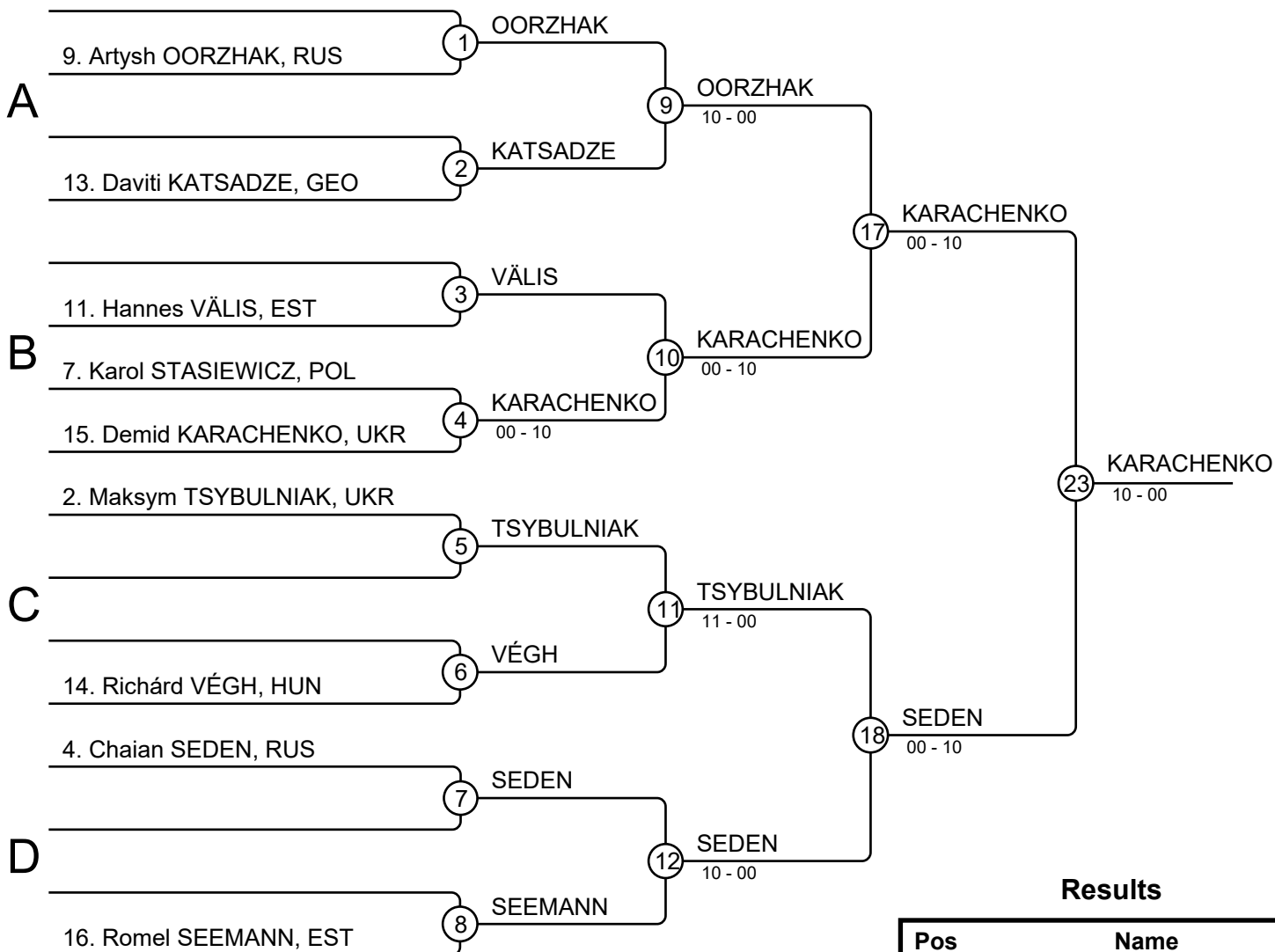
## Results

Pos	Name
1	Aiur DONDUKOV, RUS
2	Timur MUNKUEV, RUS
3	Kacper MACHALSKI, POL
3	Iliyan NIKOLOV, BUL
5	Roman MARKILOV, EST
5	Mateusz NAWOROL, POL
7	Jaroslav MARJALKE, GER
7	Danylo FOMENKO, UKR



# Sumo Championships 18-21.04.19 Estonia MU21-85

Competitors: 9



## Results

Pos	Name
1	Demid KARACHENKO, UKR
2	Chaian SEDEN, RUS
3	Maksym TSYBULNIAK, UKR
3	Artysh OORZHAK, RUS
5	Karol STASIEWICZ, POL
5	Richárd VÉGH, HUN
7	Daviti KATSADZE, GEO
7	Romel SEEMANN, EST

# Sumo Championships 18-21.04.19 Estonia MU21-92

Competitors: 10

1. Khal Mohammad SASHAID, GER

A

9. Andrei KARMANOV, RUS (1) KARMANOV  
00 - 10

13. Vladyslav MILKOVSKII, UKR (2) MILKOVSKII

(9) KARMANOV  
10 - 00

B

11. Keijo ORGVEE, EST (3) ORGVEE

7. Adam GARDZIOLA, POL (4) GARDZIOLA

(10) GARDZIOLA  
00 - 10

C

2. Danylo YAVHUSYSHYN, UKR (5) YAVHUSYSHYN

10. Gabriele STRIPPOLI, ITA (6) STRIPPOLI

6. Erik SZILÁGYI, HUN (7) SZILÁGYI

(11) YAVHUSYSHYN  
10 - 00

D

4. Michal SOKOLOWSKI, POL (8) SOKOLOWSKI

8. Kirill CHEREPOV, RUS (9) CHEREPOV

(12) CHEREPOV  
00 - 10

SASHAID

MILKOVSKII

(13) MILKOVSKII  
00 - 10

ORGVEE

(14) ORGVEE

(19) MILKOVSKII  
10 - 00

(18) CHEREPOV

(21) CHEREPOV  
00 - 10

STRIPPOLI

SZILÁGYI

(15) SZILÁGYI  
00 - 10

SOKOLOWSKI

(16) SOKOLOWSKI

(20) SOKOLOWSKI  
00 - 10

(17)

GARDZIOLA

(22) SOKOLOWSKI  
10 - 00

(17) KARMANOV  
10 - 00

(23) KARMANOV  
10 - 00

(18) YAVHUSYSHYN  
10 - 00

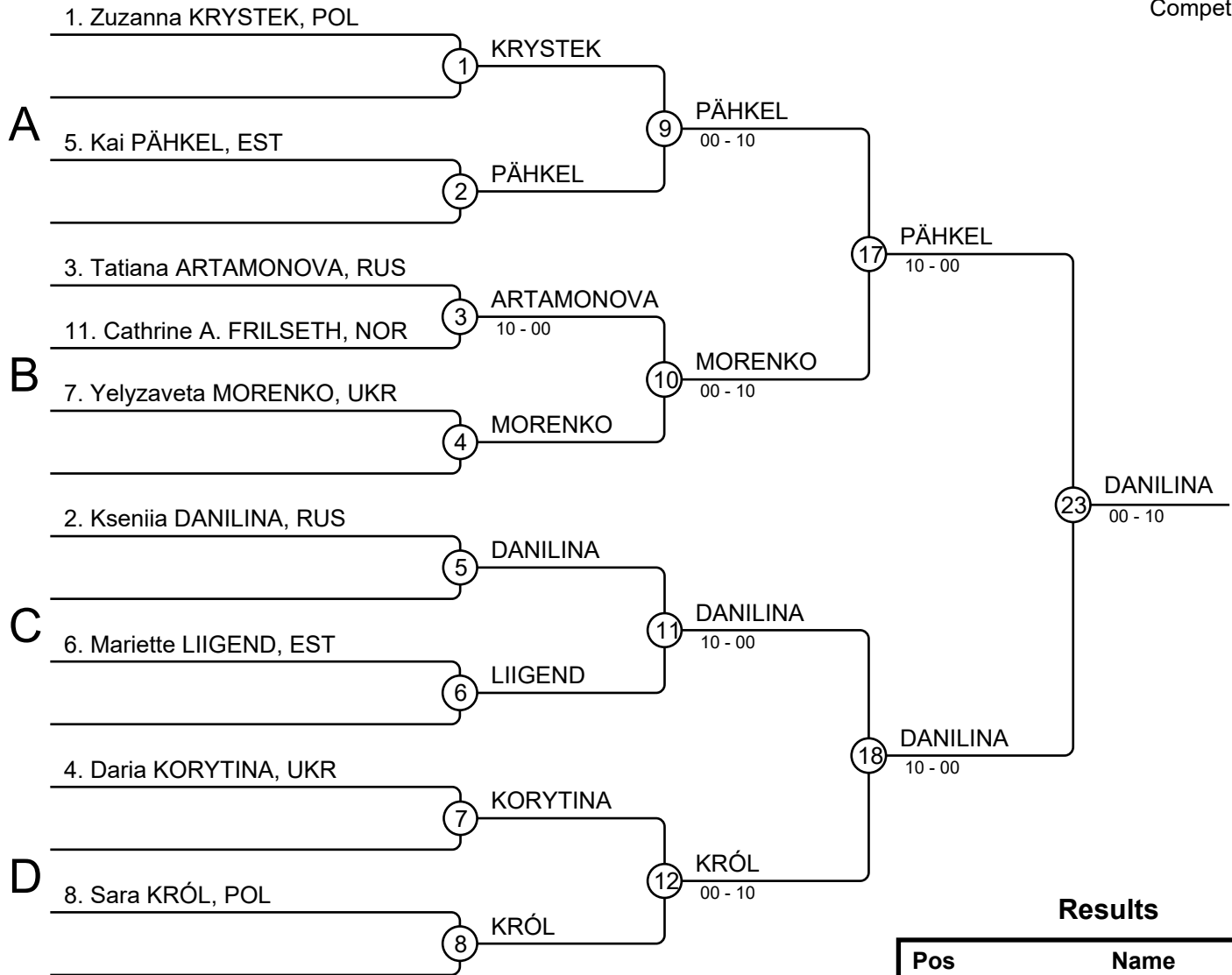
## Results

Pos	Name
1	Andrei KARMANOV, RUS
2	Danylo YAVHUSYSHYN, UKR
3	Kirill CHEREPOV, RUS
3	Michal SOKOLOWSKI, POL
5	Vladyslav MILKOVSKII, UKR
5	Adam GARDZIOLA, POL
7	Keijo ORGVEE, EST
7	Erik SZILÁGYI, HUN



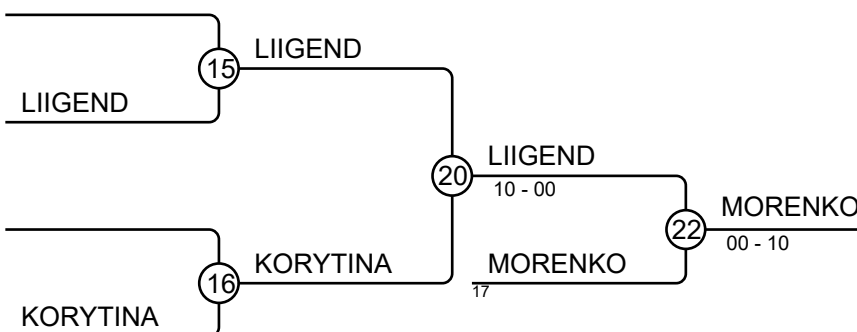
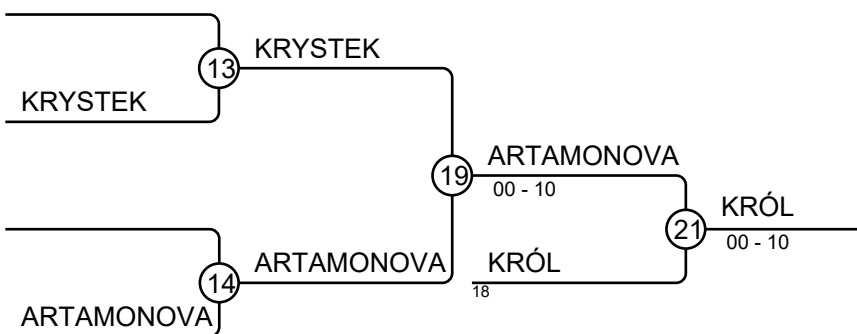
# Sumo Championships 18-21.04.19 Estonia WU21+80

Competitors: 9



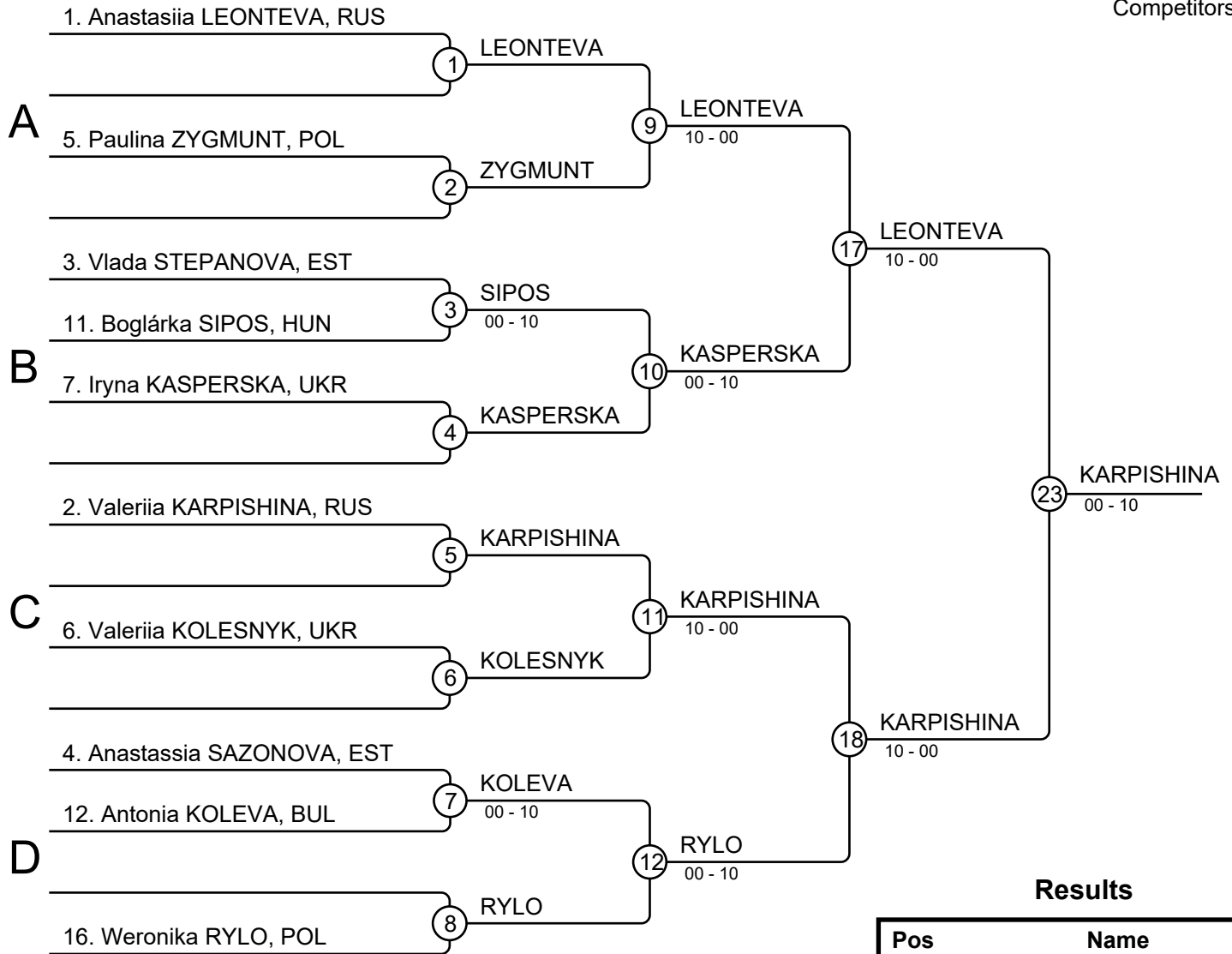
## Results

Pos	Name
1	Kseniia DANILINA, RUS
2	Kai PÄHKEL, EST
3	Sara KRÓL, POL
3	Yelyzaveta MORENKO, UKR
5	Tatiana ARTAMONOVA, RUS
5	Mariette LIIGEND, EST
7	Zuzanna KRYSTEK, POL
7	Daria KORYTINA, UKR



# Sumo Championships 18-21.04.19 Estonia WU21-55

Competitors: 10

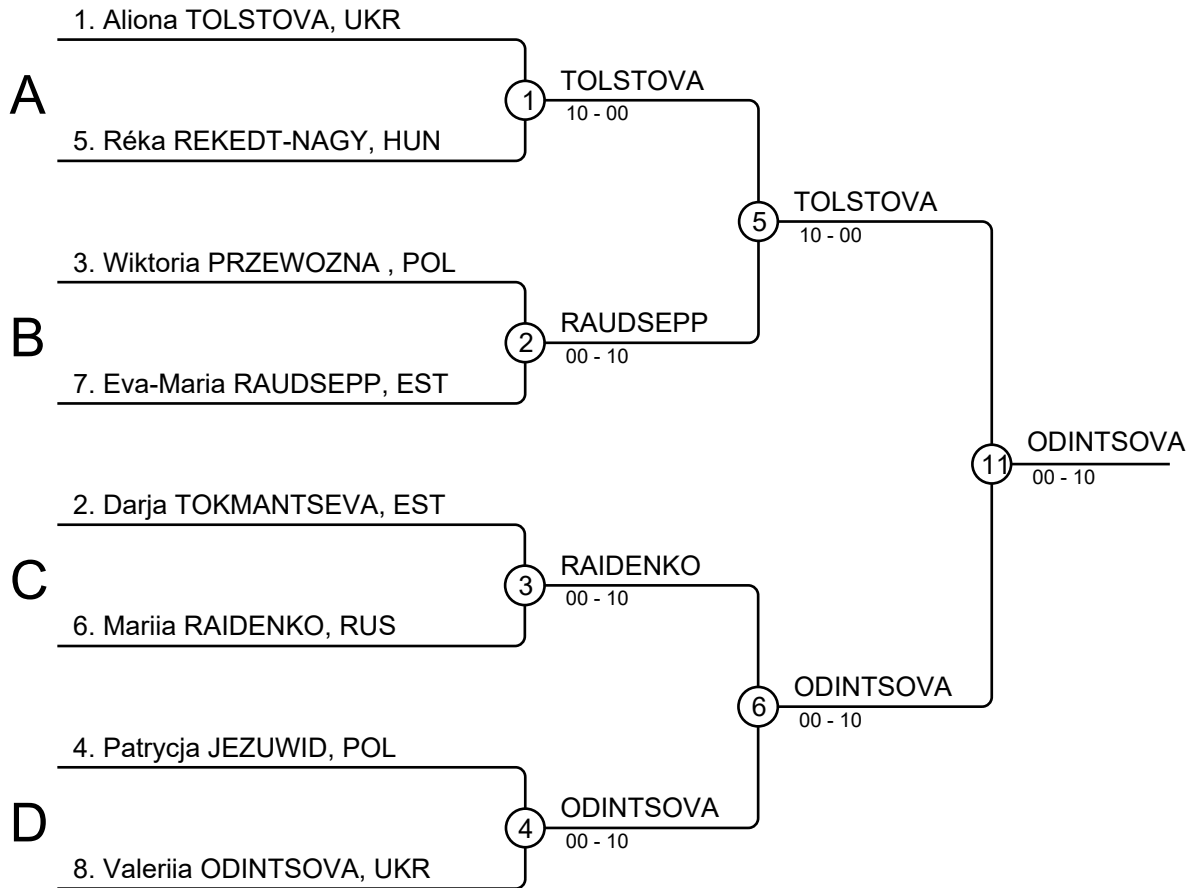


## Results

Pos	Name
1	Valeriia KARPISHINA, RUS
2	Anastasiia LEONTEVA, RUS
3	Weronika RYLO, POL
3	Antonia KOLEVA, BUL
5	Paulina ZYGMUNT, POL
5	Iryna KASPERSKA, UKR
7	Boglárka SIPOS, HUN
7	Valeriia KOLESNYK, UKR

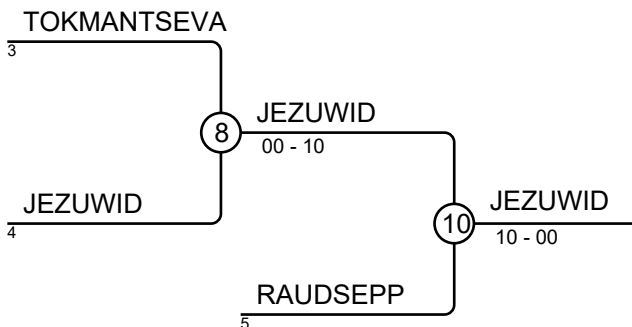
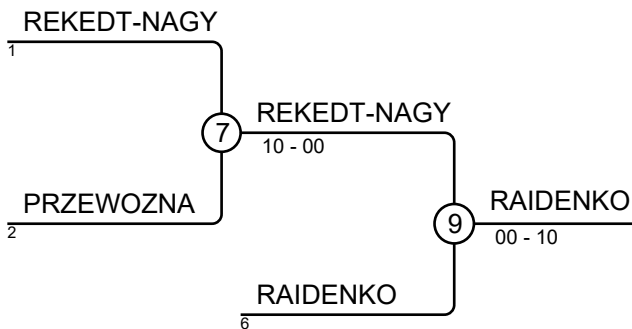
# Sumo Championships 18-21.04.19 Estonia WU21-60

Competitors: 8



## Results

Pos	Name
1	Valeriia ODINTSOVA, UKR
2	Aliona TOLSTOVA, UKR
3	Mariia RAIDENKO, RUS
3	Patrycja JEZUWID, POL
5	Réka REKEDT-NAGY, HUN
5	Eva-Maria RAUDSEPP, EST
7	Wiktoria PRZEWOZNA, POL
7	Darja TOKMANTSEVA, EST



# Sumo Championships 18-21.04.19 Estonia WU21-65

Competitors

Competitors: 5

#	Name	Grade	Club	1	2	3	4	5	Wins	Pts	Pos
1	Olena NIKITINSKA	?	UKR		10	10	10	10	4	40	1
2	Izabel HRISTOVA	?	BUL					10	1	10	3
3	Aleksandra ROZUM	?	POL		10		10	10	3	30	2
4	Anastasiia KUVSHINOVA	?	RUS		10			10	2	20	3
5	Polina DANINA	?	RUS						0	0	5

## Matches

Match	White	Grade	Blue	Grade	Result	Time
1	Anastasiia KUVSHINOVA	4	Polina DANINA	5	10-00	0:08
2	Olena NIKITINSKA	1	Izabel HRISTOVA	2	10-00	0:07
3	Aleksandra ROZUM	3	Anastasiia KUVSHINOVA	4	10-00	0:20
4	Olena NIKITINSKA	1	Polina DANINA	5	10-00	0:11
5	Izabel HRISTOVA	2	Aleksandra ROZUM	3	00-10	0:32
6	Olena NIKITINSKA	1	Anastasiia KUVSHINOVA	4	10-00	0:21
7	Aleksandra ROZUM	3	Polina DANINA	5	10-00	0:06
8	Izabel HRISTOVA	2	Anastasiia KUVSHINOVA	4	00-10	0:13
9	Olena NIKITINSKA	1	Aleksandra ROZUM	3	10-00	1:01
10	Izabel HRISTOVA	2	Polina DANINA	5	10-00	0:07

## Results

Pos	Name
1	Olena NIKITINSKA, UKR
2	Aleksandra ROZUM, POL
3	Anastasiia KUVSHINOVA, RUS
3	Izabel HRISTOVA, BUL
5	Polina DANINA, RUS

# Sumo Championships 18-21.04.19 Estonia WU21-70

Competitors

Competitors: 5

#	Name	Grade	Club	1	2	3	4	5	Wins	Pts	Pos
1	Monika SOWA	?	POL			10		10	2	20	3
2	Iryna ZALIZKO	?	UKR	10			10		2	20	2
3	Pernille Rojahn ODDLIEN	?	NOR		10		10	10	3	30	1
4	Galina GARAEVA	?	RUS	10				10	2	20	3
5	Viktoriiia LEBEDINSKAIA	?	RUS		10				1	10	5

## Matches

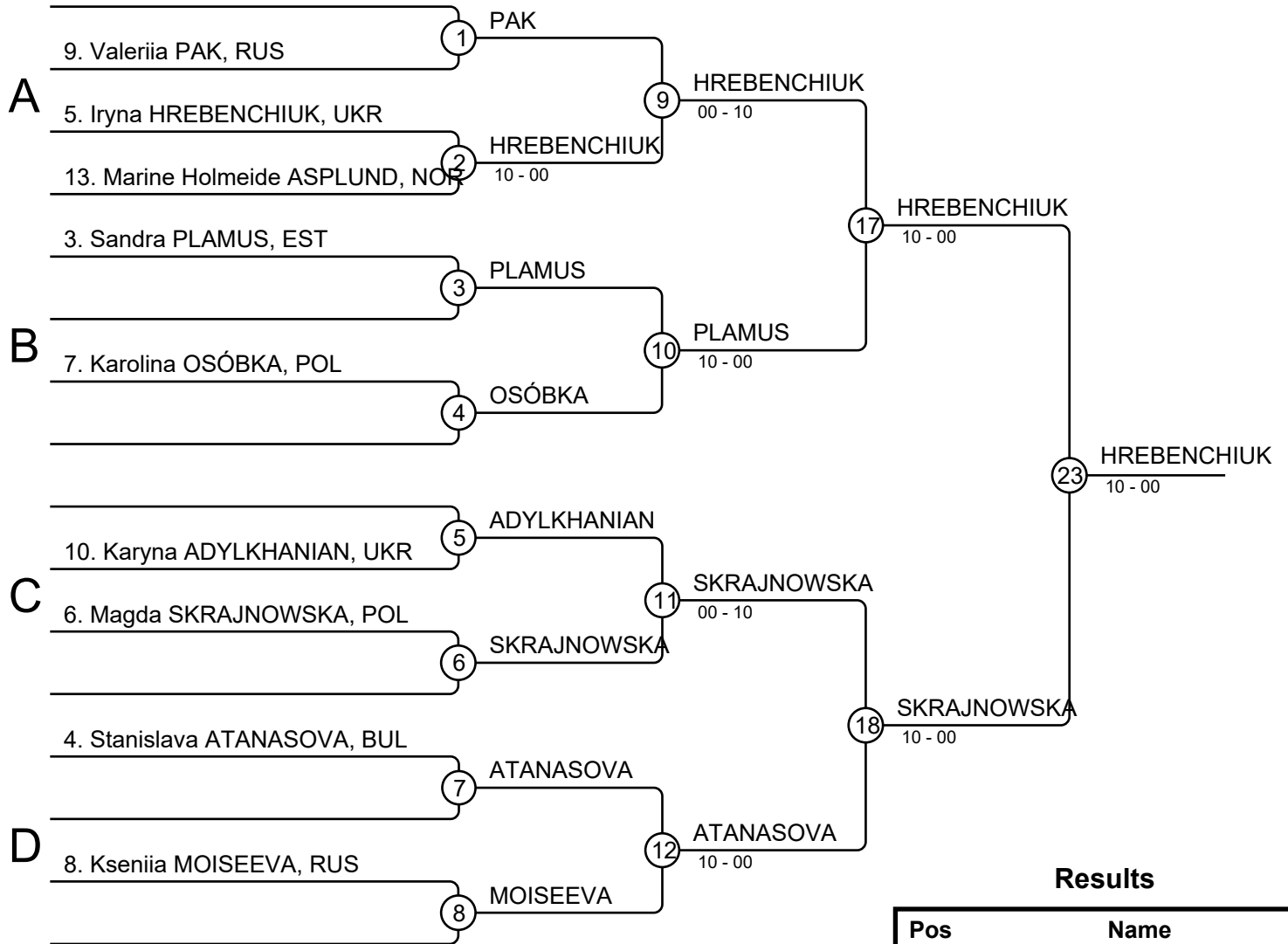
Match	White	Blue	Result	Time
1	Galina GARAEVA 4 5	Viktoriiia LEBEDINSKAIA	10-00	0:12
2	Monika SOWA 1 2	Iryna ZALIZKO	00-10	0:03
3	Pernille Rojahn ODDLIEN 3 4	Galina GARAEVA	10-00	0:27
4	Monika SOWA 1 5	Viktoriiia LEBEDINSKAIA	10-00	0:07
5	Iryna ZALIZKO 2 3	Pernille Rojahn ODDLIEN	00-10	0:03
6	Monika SOWA 1 4	Galina GARAEVA	00-10	0:17
7	Pernille Rojahn ODDLIEN 3 5	Viktoriiia LEBEDINSKAIA	10-00	0:09
8	Iryna ZALIZKO 2 4	Galina GARAEVA	10-00	0:12
9	Monika SOWA 1 3	Pernille Rojahn ODDLIEN	10-00	0:08
10	Iryna ZALIZKO 2 5	Viktoriiia LEBEDINSKAIA	00-10	0:22

## Results

Pos	Name
1	Pernille Rojahn ODDLIEN, NOR
2	Iryna ZALIZKO, UKR
3	Galina GARAEVA, RUS
3	Monika SOWA, POL
5	Viktoriiia LEBEDINSKAIA, RUS

# Sumo Championships 18-21.04.19 Estonia WU21-75

Competitors: 9

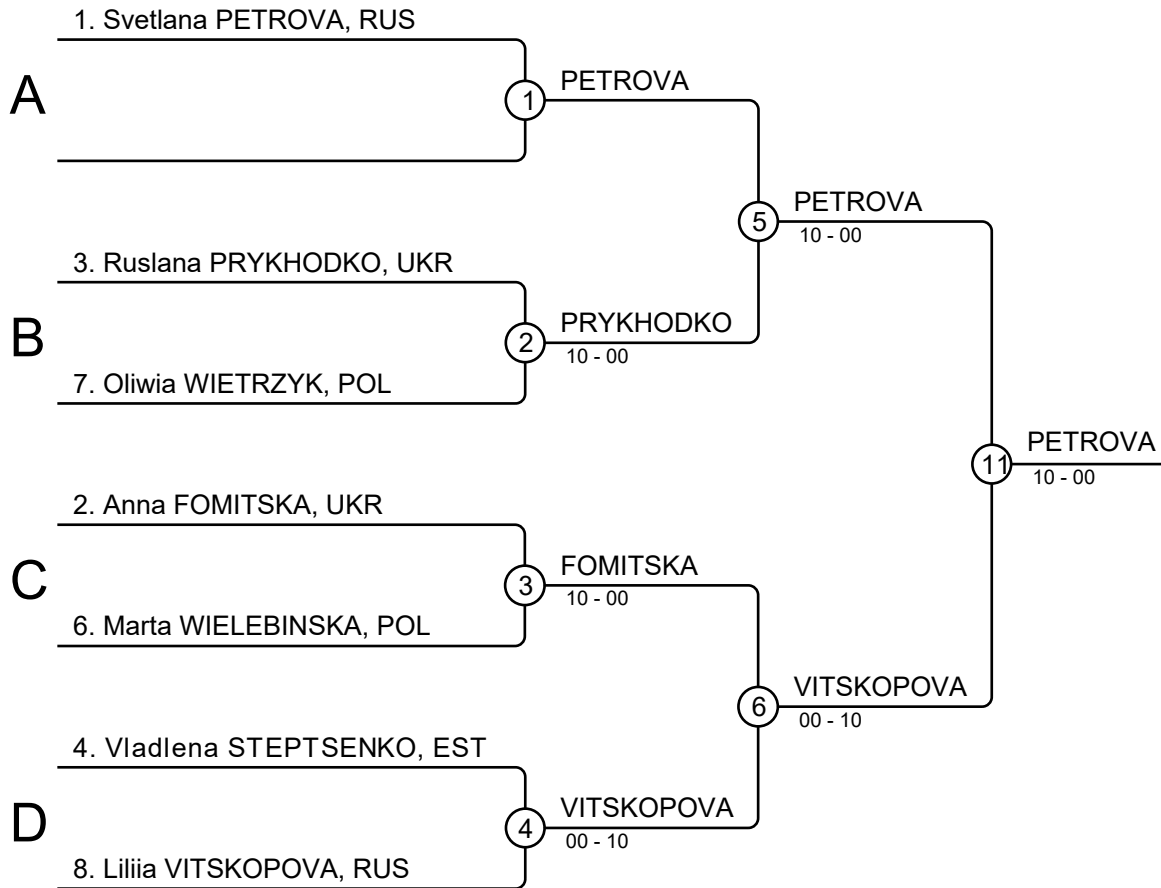


## Results

Pos	Name
1	Iryna HREBENCHIUUK, UKR
2	Magda SKRAJNOWSKA, POL
3	Karolina OSÓBKA, POL
3	Sandra PLAMUS, EST
5	Stanislava ATANASOVA, BUL
5	Karyna ADYLKHANIAN, UKR
7	Valeriia PAK, RUS
7	Kseniia MOISEEVA, RUS

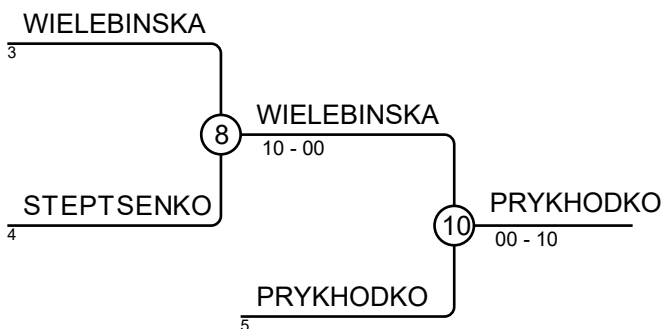
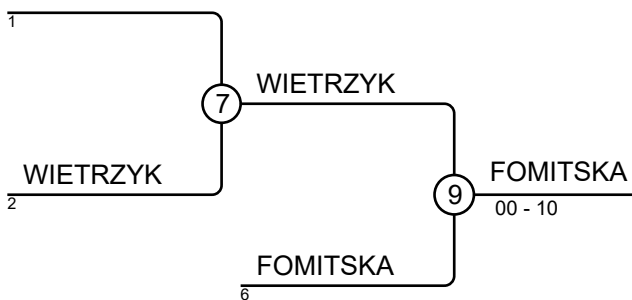
# Sumo Championships 18-21.04.19 Estonia WU21-80

Competitors: 7



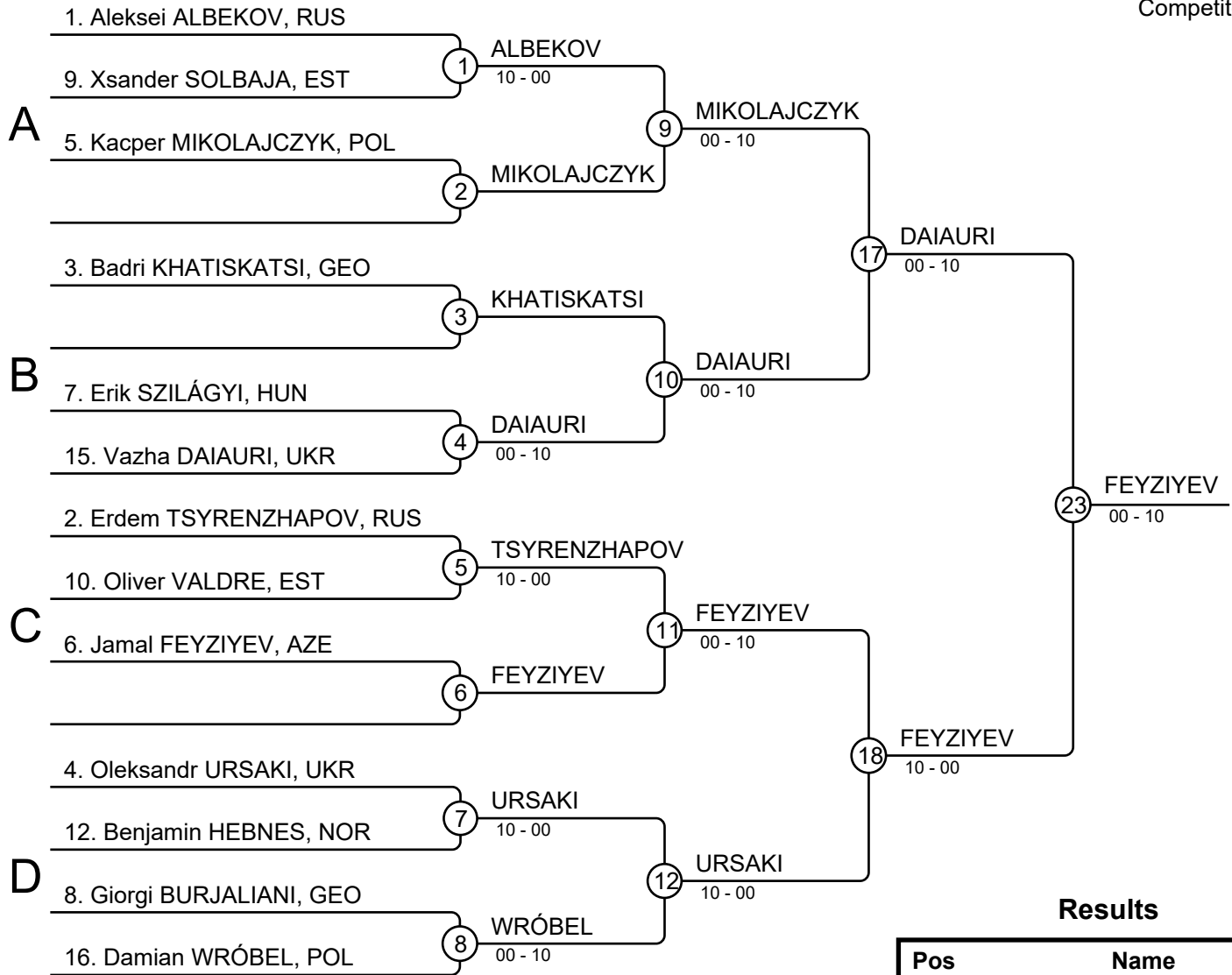
## Results

Pos	Name
1	Svetlana PETROVA, RUS
2	Liliia VITSKOPOVA, RUS
3	Anna FOMITSKA, UKR
3	Ruslana PRYKHODKO, UKR
5	Oliwia WIETRZYK, POL
5	Marta WIELEBINSKA, POL
7	
7	Vladlena STEPTSENKO, EST



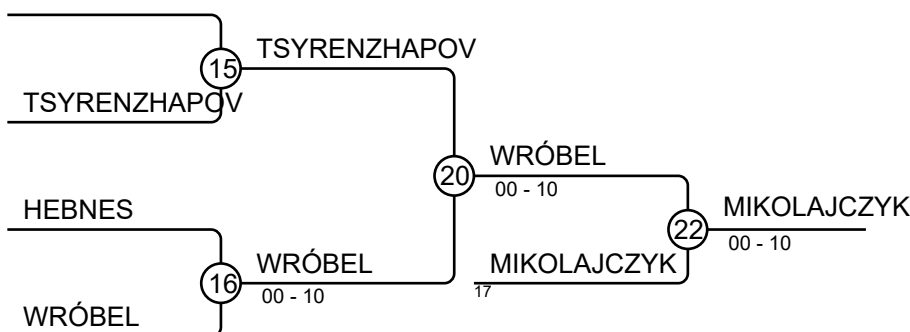
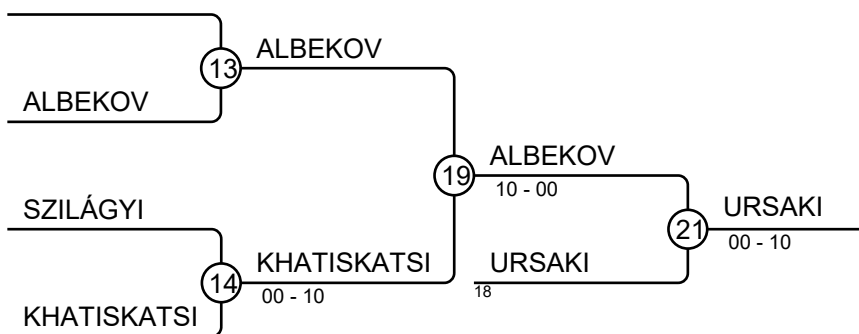
# Sumo Championships 18-21.04.19 Estonia MU21-ABS

Competitors: 13



## Results

Pos	Name
1	Jamal FEYZIYEV, AZE
2	Vazha DAI AURI, UKR
3	Oleksandr URSAKI, UKR
3	Kacper MIKOLAJCZYK, POL
5	Aleksei ALBEKOV, RUS
5	Damian WRÓBEL, POL
7	Badri KHATISKATSI, GEO
7	Erdem TSYRENZHAPOV, RUS



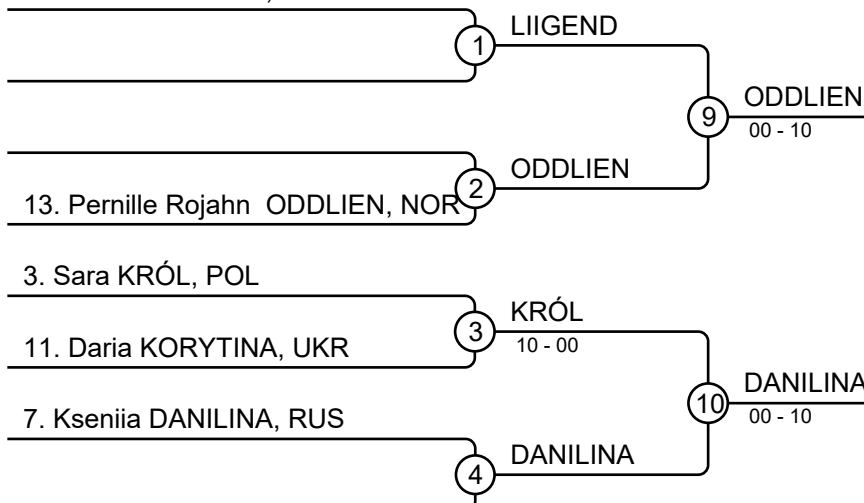


# Sumo Championships 18-21.04.19 Estonia WU21-ABS

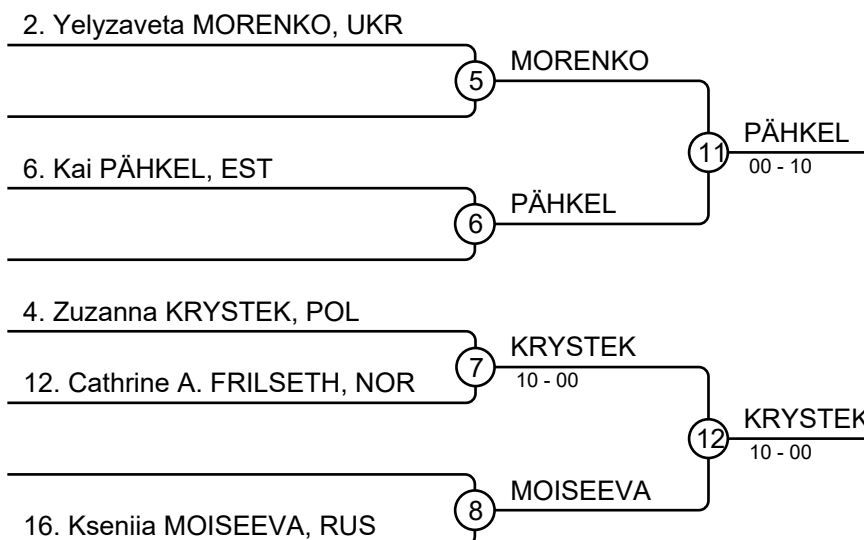
Competitors: 10

1. Mariette LIIGEND, EST

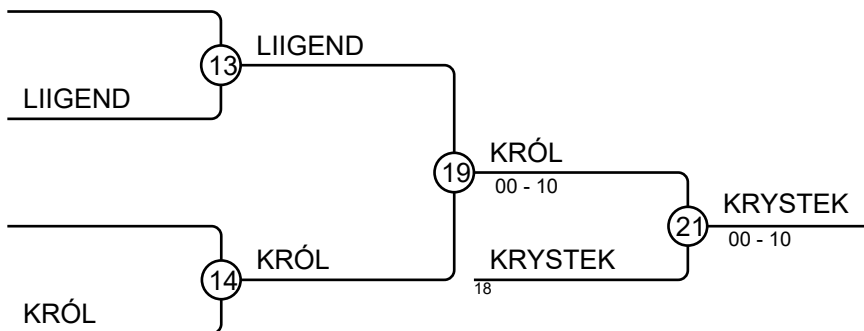
A



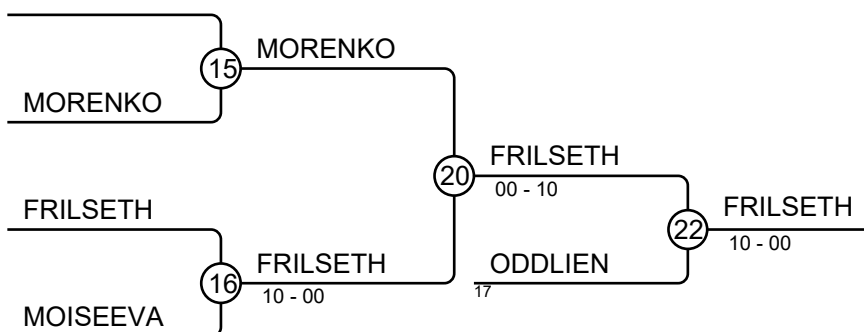
B



C



D



## Results

Pos	Name
1	Kai PÄHKEL, EST
2	Kseniia DANILINA, RUS
3	Zuzanna KRYSTEK, POL
3	Cathrine A. FRILSETH, NOR
5	Sara KRÓL, POL
5	Pernille Rojahn ODDLIEN, NOR
7	Mariette LIIGEND, EST
7	Yelyzaveta MORENKO, UKR

# Sumo Championships 18-21.04.19 Estonia WU21TEAM

Competitors

Competitors: 5

#	Name	Grade	Club	1	2	3	4	5	Wins	Pts	Pos
1	UKRAINE1	?			2/0	2/0		2/0	3	0	2
2	NORWAY1	?						2/0	1	0	3
3	POLAND1	?			3/0			2/0	2	0	3
4	RUSSIA1	?		2/0	3/0	2/0			3	0	1
5	ESTONIA1	?					2/0		1	0	5

## Matches

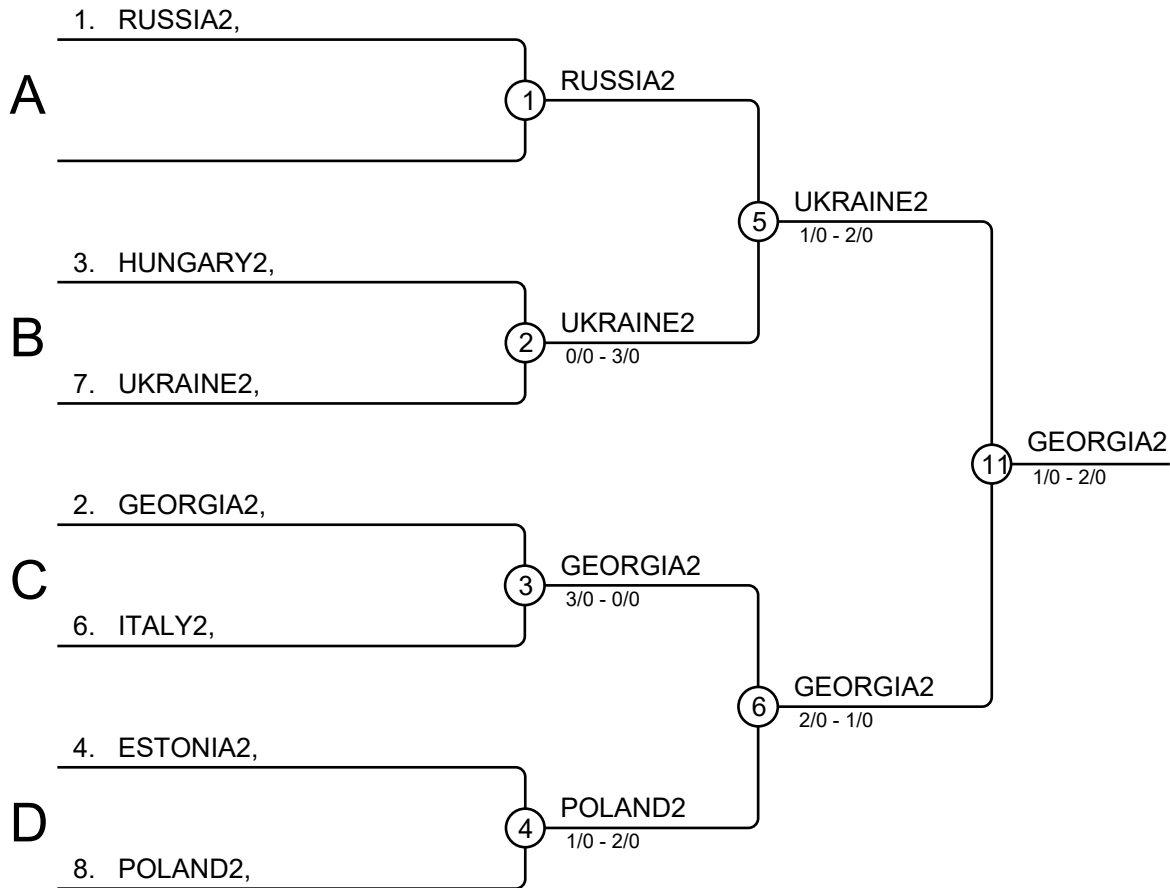
Match	White	Blue	Result	Time
1	RUSSIA1	4 5 ESTONIA1	1/0-2/0	0:00
2	UKRAINE1	1 2 NORWAY1	2/0-1/0	0:00
3	POLAND1	3 4 RUSSIA1	1/0-2/0	0:00
4	UKRAINE1	1 5 ESTONIA1	2/0-1/0	0:00
5	NORWAY1	2 3 POLAND1	0/0-3/0	0:00
6	UKRAINE1	1 4 RUSSIA1	1/0-2/0	0:00
7	POLAND1	3 5 ESTONIA1	2/0-1/0	0:00
8	NORWAY1	2 4 RUSSIA1	0/0-3/0	0:00
9	UKRAINE1	1 3 POLAND1	2/0-1/0	0:00
10	NORWAY1	2 5 ESTONIA1	2/0-1/0	0:00

## Results

Pos	Name
1	RUSSIA1,
2	UKRAINE1,
3	POLAND1,
3	NORWAY1,
5	ESTONIA1,

# Sumo Championships 18-21.04.19 Estonia MU21TEAM

Competitors: 7



## Results

Pos	Name
1	GEORGIA2,
2	UKRAINE2,
3	HUNGARY2,
3	RUSSIA2,
5	POLAND2,
5	ESTONIA2,
7	
7	ITALY2,

