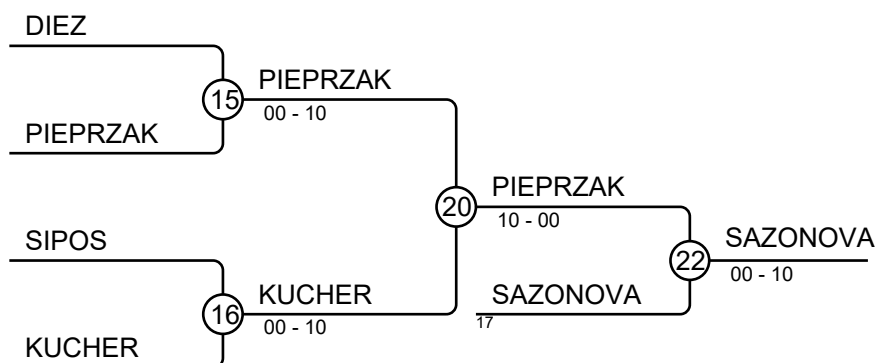
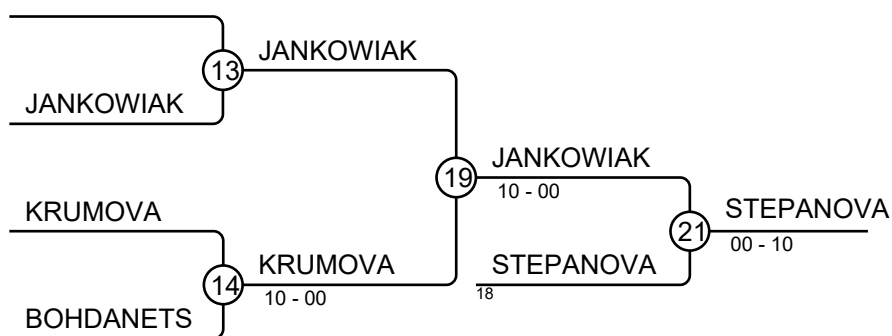
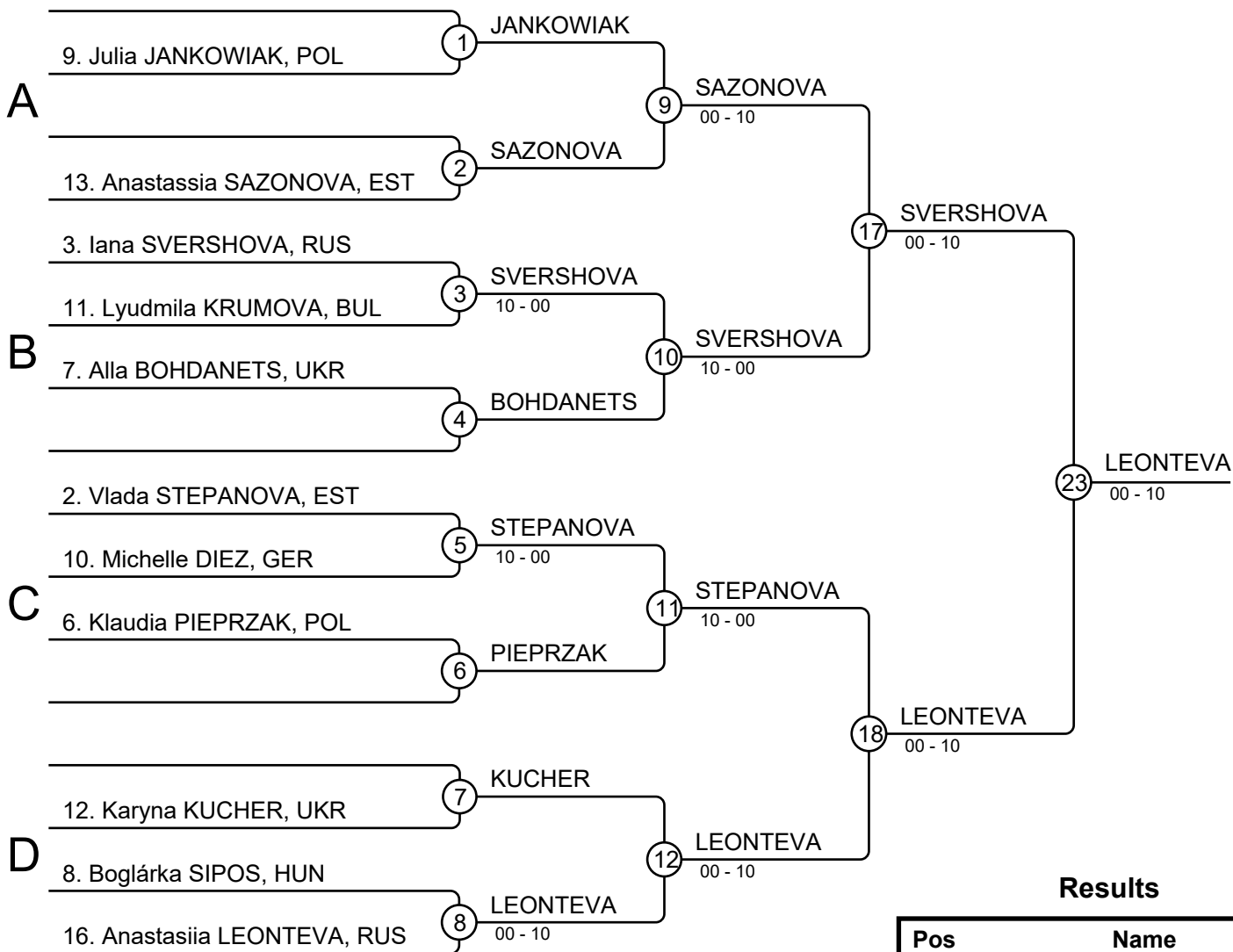


# Sumo Championships 18-21.04.19 Estonia WU23-55

Competitors: 11

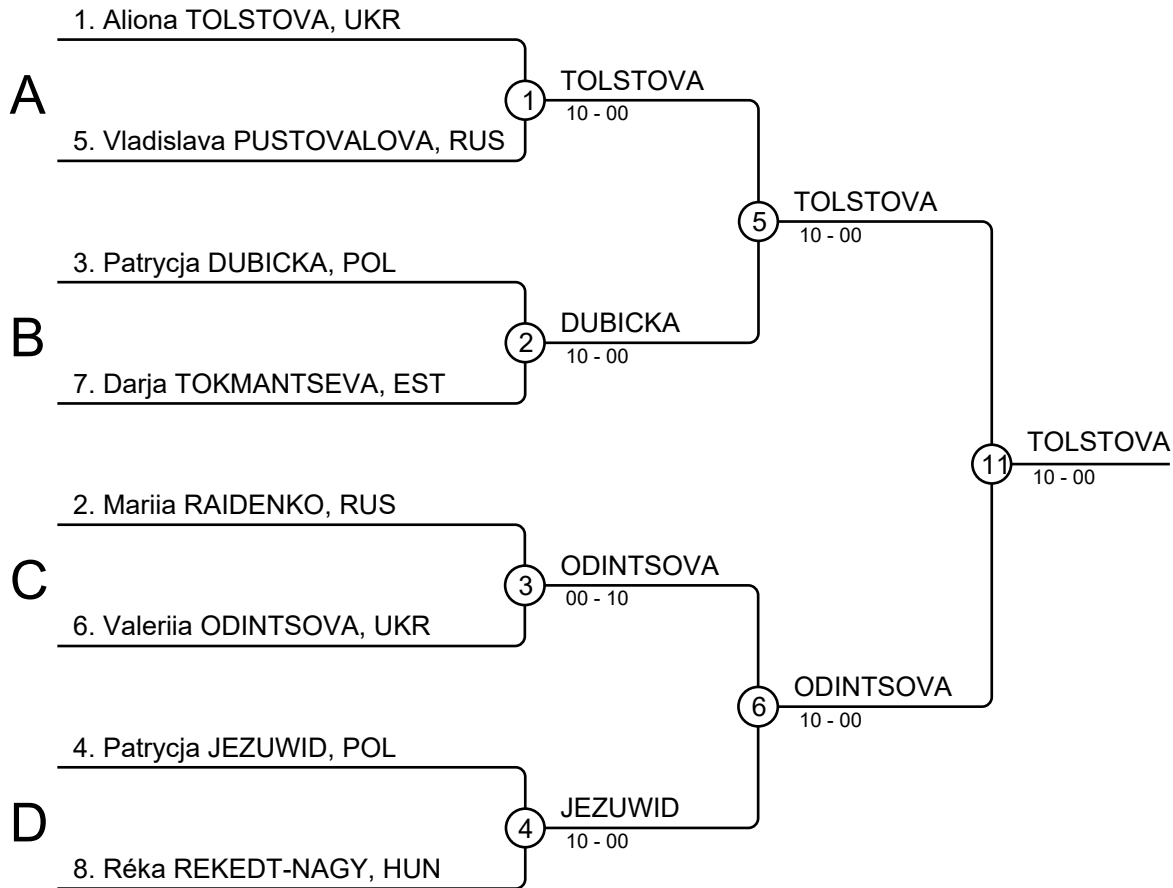


## Results

Pos	Name
1	Anastasiia LEONTEVA, RUS
2	Iana SVERSHOVA, RUS
3	Vlada STEPANOVA, EST
3	Anastassia SAZONOVA, EST
5	Julia JANKOWIAK, POL
5	Klaudia PIEPRZAK, POL
7	Lyudmila KRUMOVA, BUL
7	Karyna KUCHER, UKR

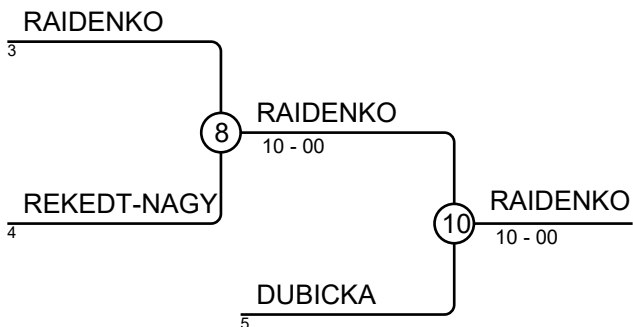
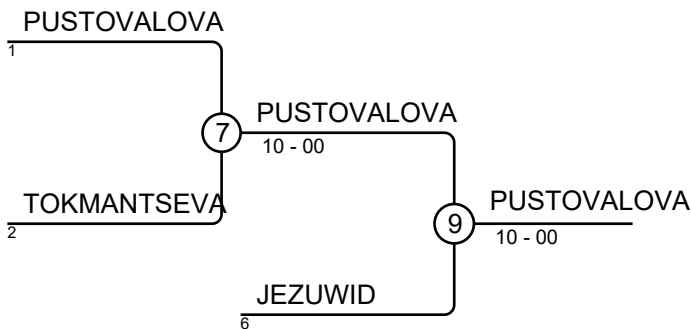
# Sumo Championships 18-21.04.19 Estonia WU23-60

Competitors: 8



## Results

Pos	Name
1	Aliona TOLSTOVA, UKR
2	Valeriia ODINTSOVA, UKR
3	Vladislava PUSTOVALOVA, RUS
3	Mariia RAIDENKO, RUS
5	Patrycja JEZUWID, POL
5	Patrycja DUBICKA, POL
7	Darja TOKMANTSEVA, EST
7	Réka REKEDT-NAGY, HUN



# Sumo Championships 18-21.04.19 Estonia WU23-65

## Competitors

Competitors: 5

#	Name	Grade	Club	1	2	3	4	5	Wins	Pts	Pos
1	Iana KOZHANOVA	?	RUS			10		10	2	20	3
2	Olena NIKITINSKA	?	UKR	10		10	10	10	4	40	1
3	Alena PETROVA	?	RUS					10	1	10	3
4	Karyna KOLESNIK	?	UKR	10		10		10	3	30	2
5	Aleksandra ROZUM	?	POL						0	0	5

## Matches

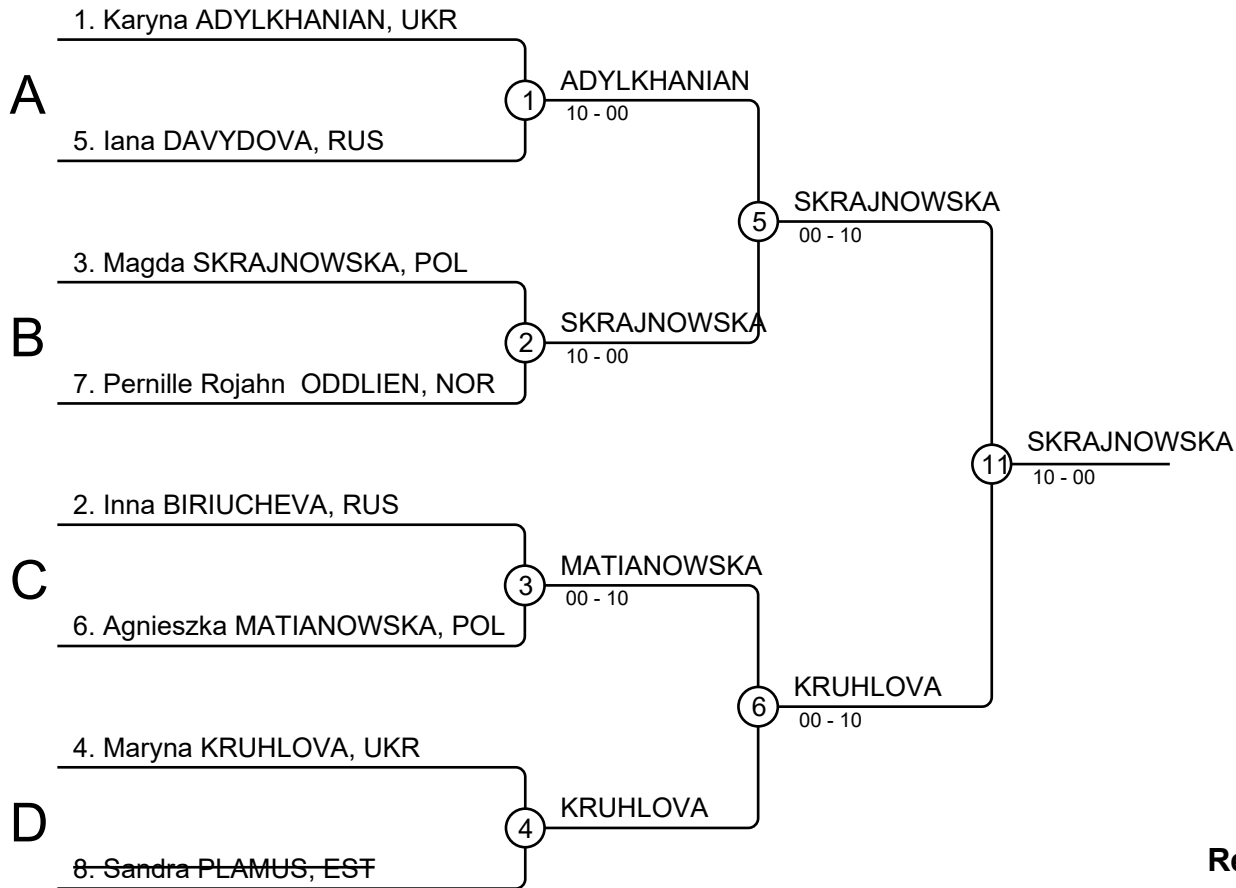
Match	White	Grade	Blue	Grade	Result	Time
1	Karyna KOLESNIK	4	Aleksandra ROZUM	5	10-00	0:02
2	Iana KOZHANOVA	1	Olena NIKITINSKA	2	00-10	0:39
3	Alena PETROVA	3	Karyna KOLESNIK	4	00-10	0:11
4	Iana KOZHANOVA	1	Aleksandra ROZUM	5	10-00	0:18
5	Olena NIKITINSKA	2	Alena PETROVA	3	10-00	0:32
6	Iana KOZHANOVA	1	Karyna KOLESNIK	4	00-10	0:10
7	Alena PETROVA	3	Aleksandra ROZUM	5	10-00	0:08
8	Olena NIKITINSKA	2	Karyna KOLESNIK	4	10-00	0:41
9	Iana KOZHANOVA	1	Alena PETROVA	3	10-00	0:31
10	Olena NIKITINSKA	2	Aleksandra ROZUM	5	10-00	0:25

## Results

Pos	Name
1	Olena NIKITINSKA, UKR
2	Karyna KOLESNIK, UKR
3	Iana KOZHANOVA, RUS
3	Alena PETROVA, RUS
5	Aleksandra ROZUM, POL

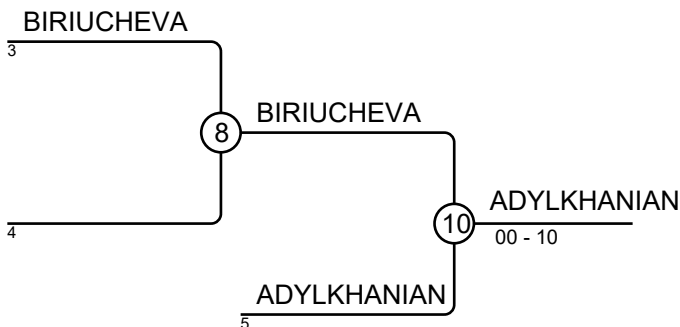
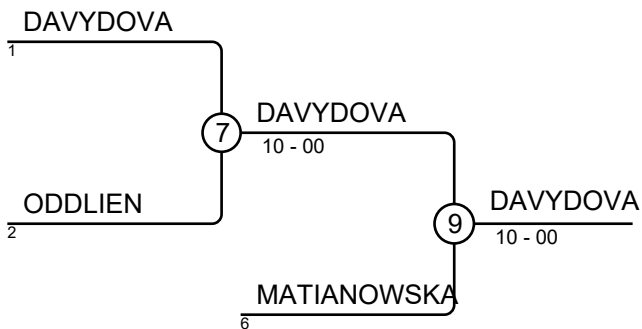
# Sumo Championships 18-21.04.19 Estonia WU23-73

Competitors: 8



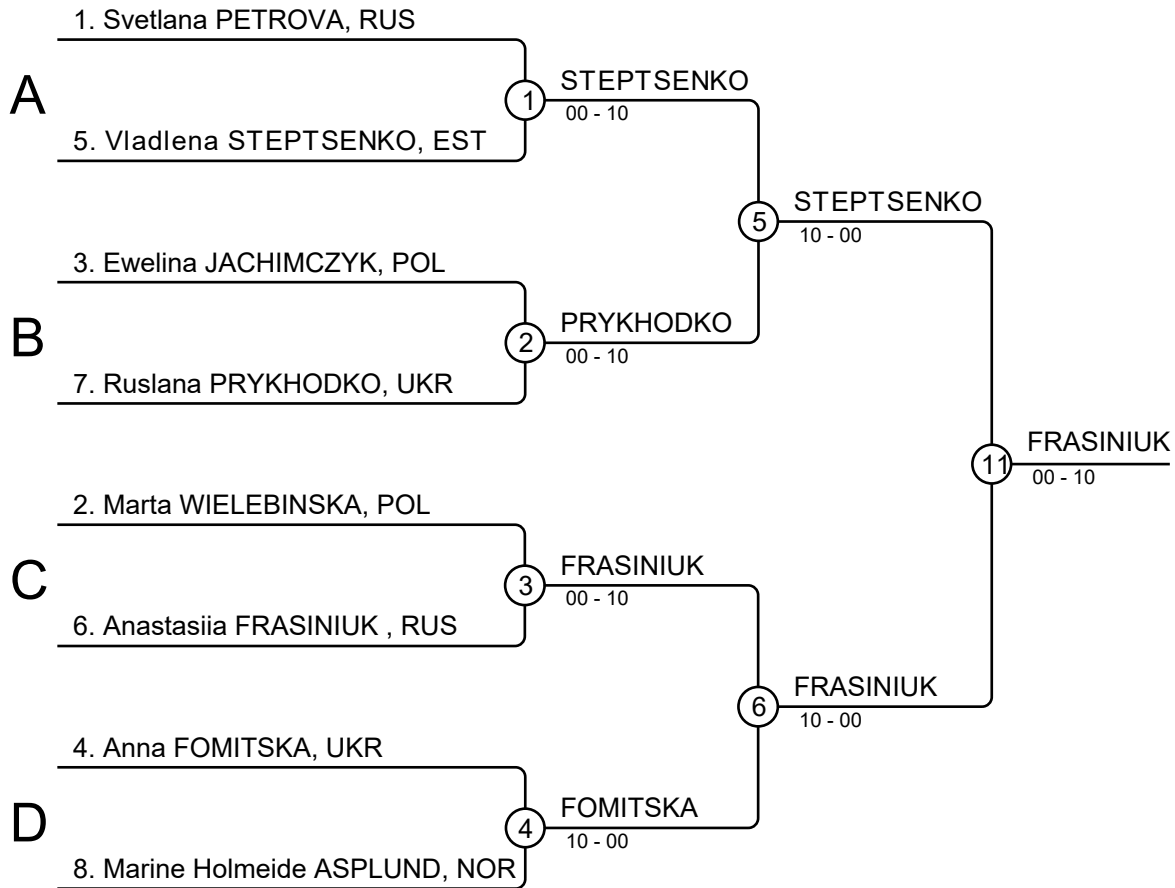
## Results

Pos	Name
1	Magda SKRAJNOWSKA, POL
2	Maryna KRUHLOVA, UKR
3	Iana DAVYDOVA, RUS
3	Karyna ADYLKHANIAN, UKR
5	Agnieszka MATIANOWSKA, POL
5	Inna BIRIUCHEVA, RUS
7	Pernille Rojahn ODDLIEEN, NOR
7	



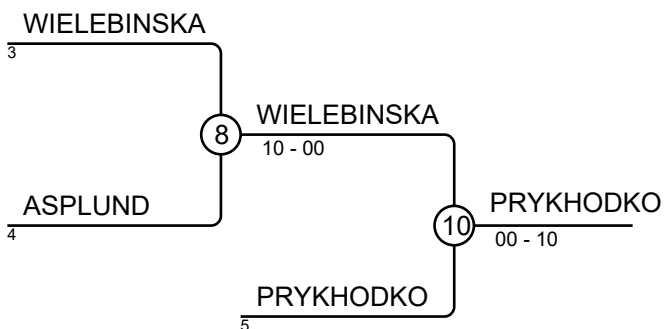
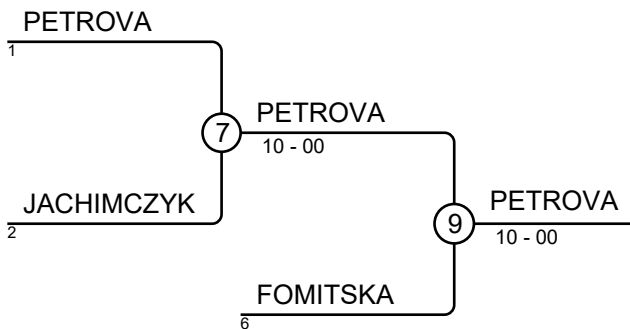
# Sumo Championships 18-21.04.19 Estonia WU23-80

Competitors: 8



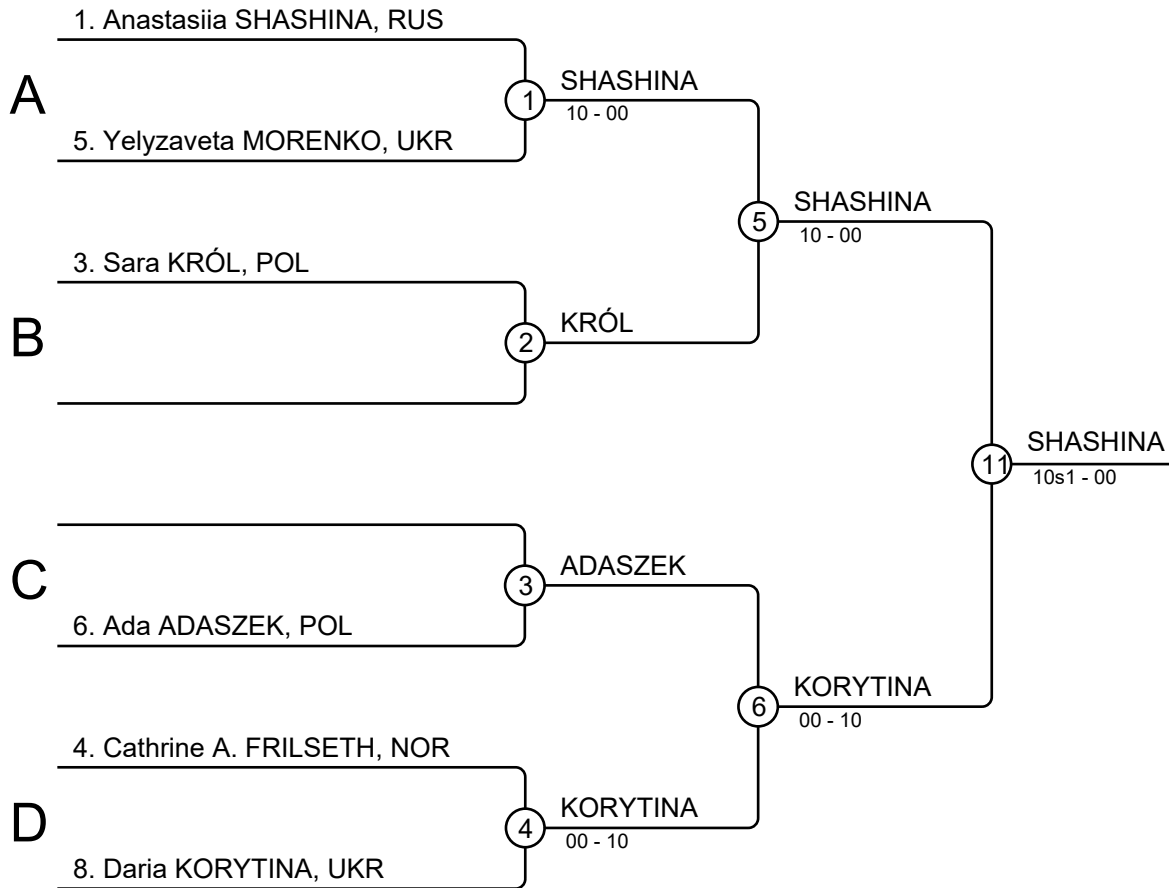
## Results

Pos	Name
1	Anastasiia FRASINIUK , RUS
2	Vladlena STEPTSENKO, EST
3	Svetlana PETROVA, RUS
3	Ruslana PRYKHODKO, UKR
5	Anna FOMITSKA, UKR
5	Marta WIELEBINSKA, POL
7	Ewelina JACHIMCZYK, POL
7	Marine Holmeide ASPLUND, NOR



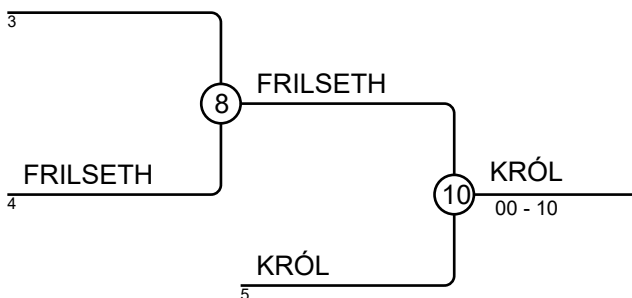
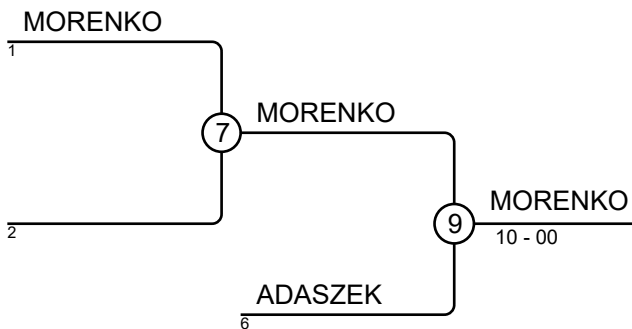
# Sumo Championships 18-21.04.19 Estonia WU23-95

Competitors: 6



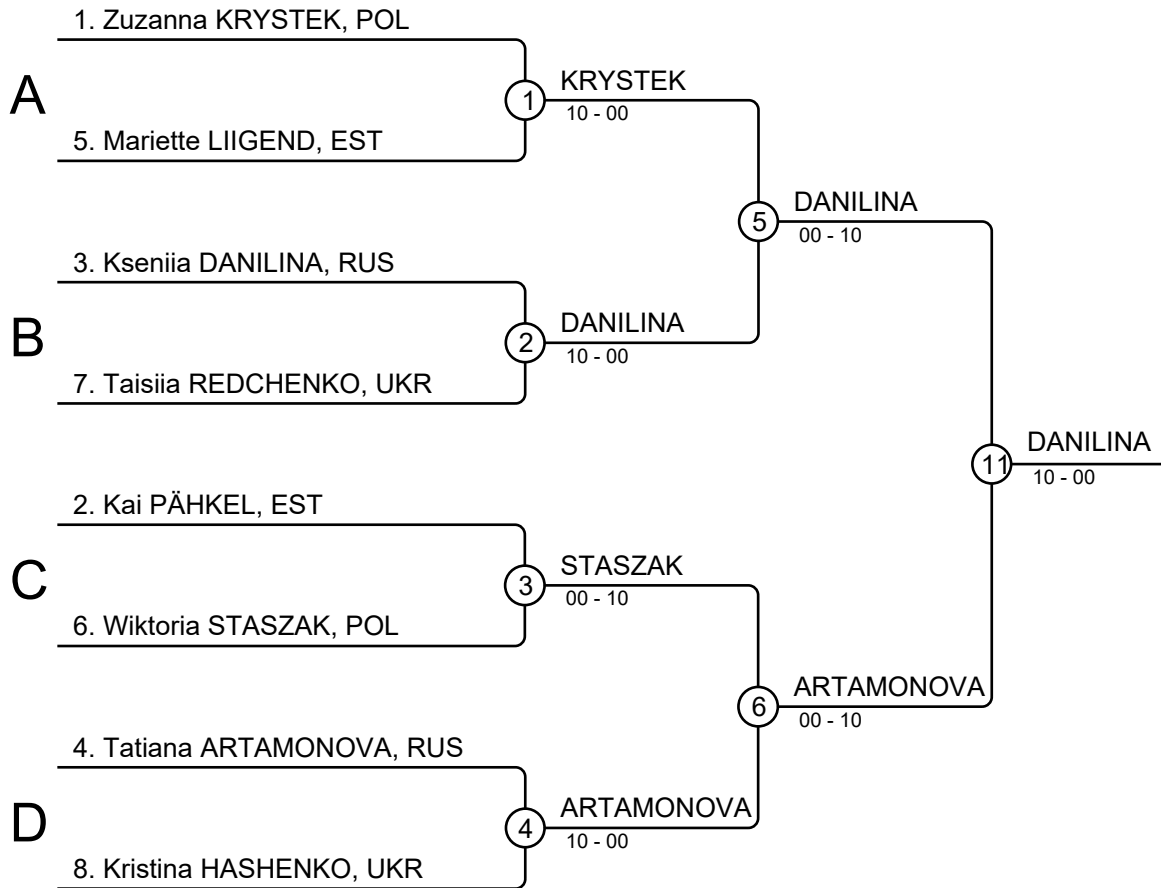
## Results

Pos	Name
1	Anastasiia SHASHINA, RUS
2	Daria KORYTINA, UKR
3	Yelyzaveta MORENKO, UKR
3	Sara KRÓL, POL
5	Ada ADASZEK, POL
5	Cathrine A. FRILSETH, NOR
7	
7	



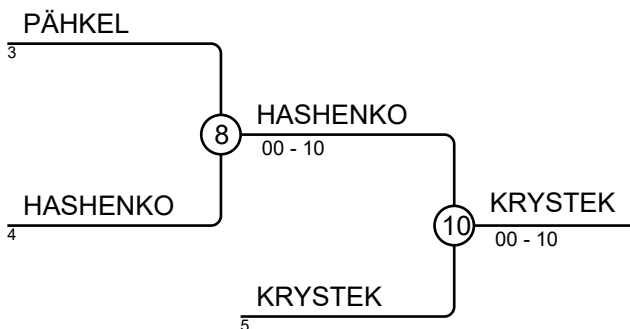
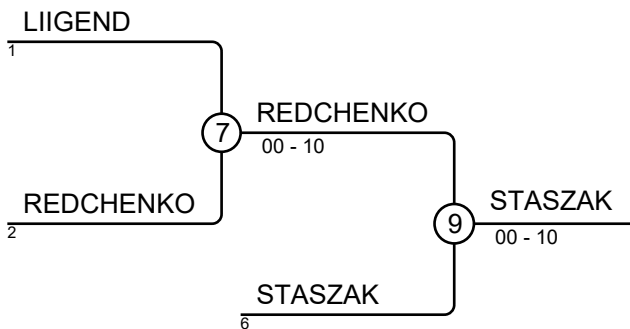
# Sumo Championships 18-21.04.19 Estonia WU23+95

Competitors: 8



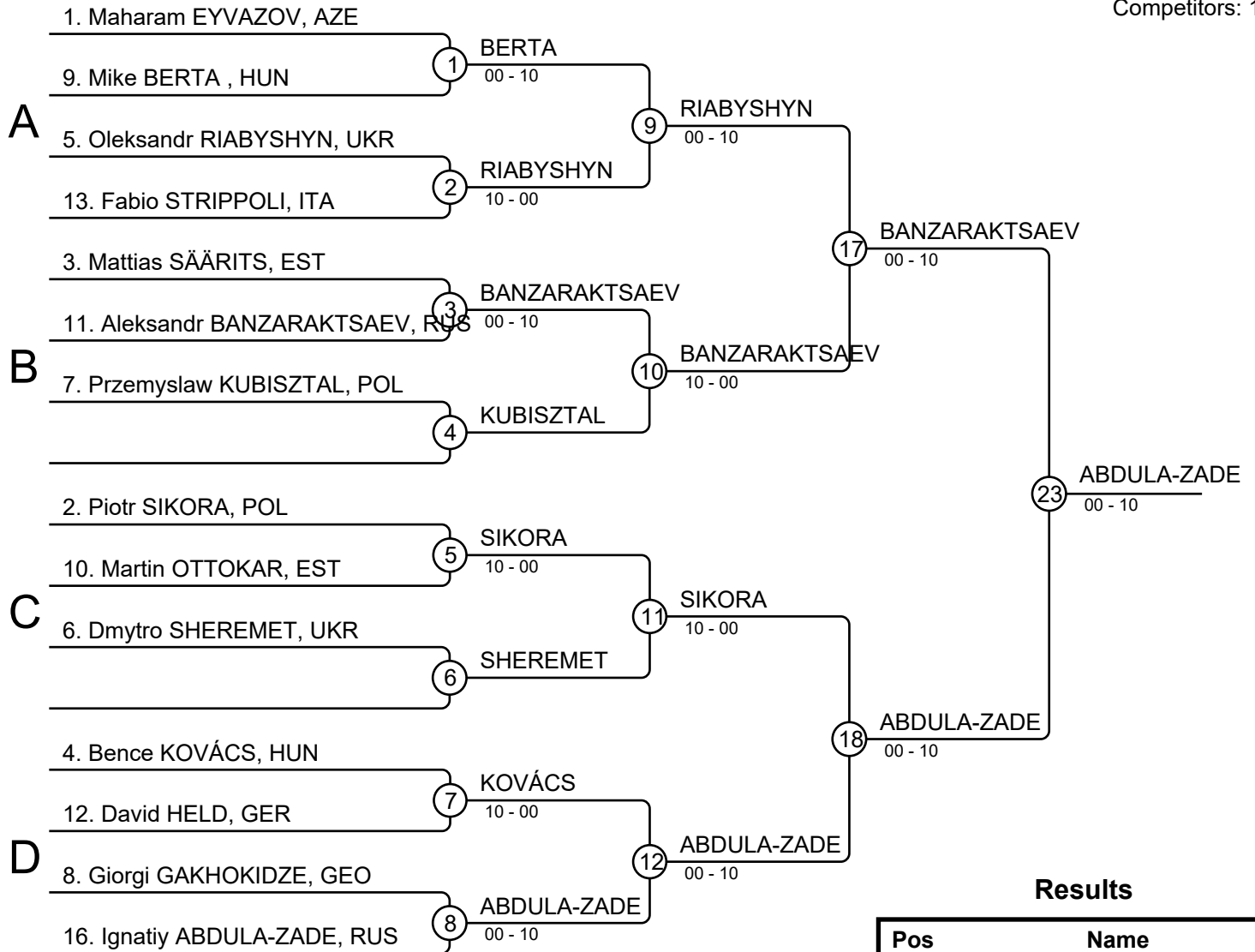
## Results

Pos	Name
1	Kseniia DANILINA, RUS
2	Tatiana ARTAMONOVA, RUS
3	Wiktoria STASZAK, POL
3	Zuzanna KRYSTEK, POL
5	Taisiia REDCHENKO, UKR
5	Kristina HASHENKO, UKR
7	Mariette LIIGEND, EST
7	Kai PÄHKEL, EST



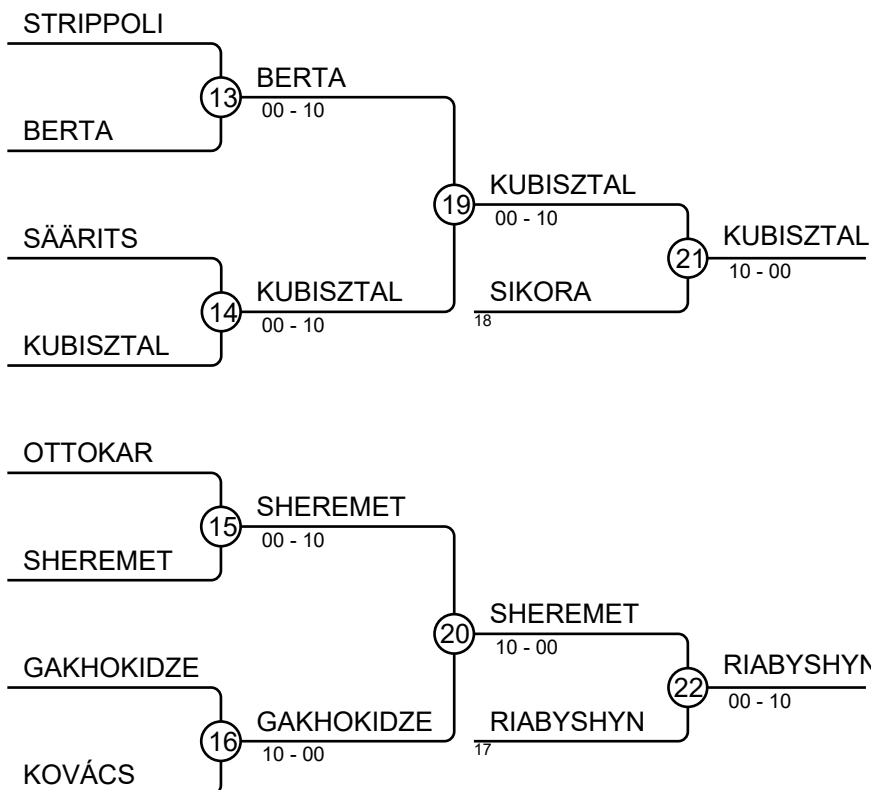
# Sumo Championships 18-21.04.19 Estonia MU23-70

Competitors: 14



## Results

Pos	Name
1	Ignatyi ABDULA-ZADE, RUS
2	Aleksandr BANZARAKTSAEV, RUS
3	Przemyslaw KUBISZTAL, POL
3	Oleksandr RIABYSHYN, UKR
5	Piotr SIKORA, POL
5	Dmytro SHEREMET, UKR
7	Mike BERTA, HUN
7	Giorgi GAKHOKIDZE, GEO





# Sumo Championships 18-21.04.19 Estonia MU23-77

Competitors: 11

1. Stefano VALERIO, ITA

A

9. Mykola SOLODOVNIKOV, UKR (1) SOLODOVNIKOV 00 - 10

5. Arzhaan ONDAR, RUS (2) ONDAR

(9) ONDAR 00 - 10

B

3. Kacper MACHALSKI, POL (3) MIHOV 00 - 10

11. Presiyan MIHOV, BUL (3) MIHOV 10 - 00

15. Marc STEINMETZ, GER (4) STEINMETZ

(10) MIHOV 10 - 00

(17) ONDAR 10 - 00

C

10. Mateusz NAWOROL, POL (5) NAWOROL

6. Roman MARKILOV, EST (6) MARKILOV

(11) MARKILOV 00 - 10

(18) ULZETUEV 00 - 10

D

12. Jaroslav MARJALKE, GER (7) MARJALKE

8. Sangadi ULZETUEV, RUS (8) ULZETUEV 10 - 00

(12) ULZETUEV 00 - 10

## Results

Pos	Name
1	Arzhaan ONDAR, RUS
2	Sangadi ULZETUEV, RUS
3	Kacper MACHALSKI, POL
3	Presiyan MIHOV, BUL
5	Roman MARKILOV, EST
5	Mateusz NAWOROL, POL
7	Mykola SOLODOVNIKOV, UKR
7	Jaroslav MARJALKE, GER

(13) SOLODOVNIKOV

SOLODOVNIKOV

(19) MACHALSKI 00 - 10

MACHALSKI

(14) MACHALSKI 10 - 00

STEINMETZ

18

MARKILOV

(21) MACHALSKI 10 - 00

(15) NAWOROL

NAWOROL

(20) NAWOROL 10 - 00

TSYBULNIAK

(16) MARJALKE 00 - 10

MARJALKE

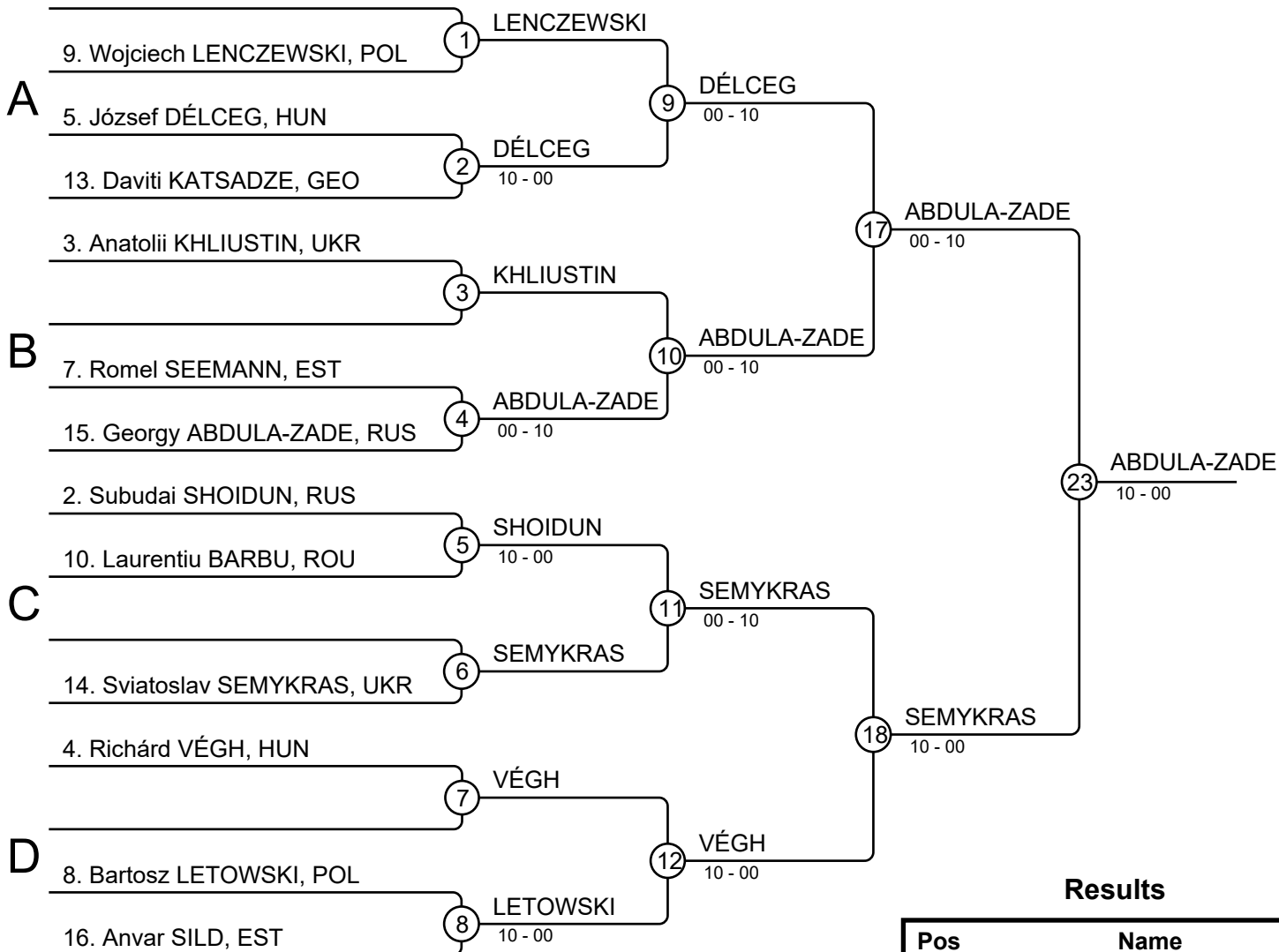
17

MIHOV

(22) MIHOV 00 - 10

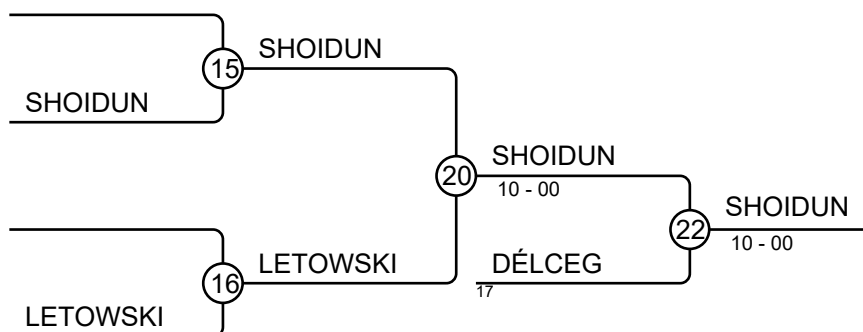
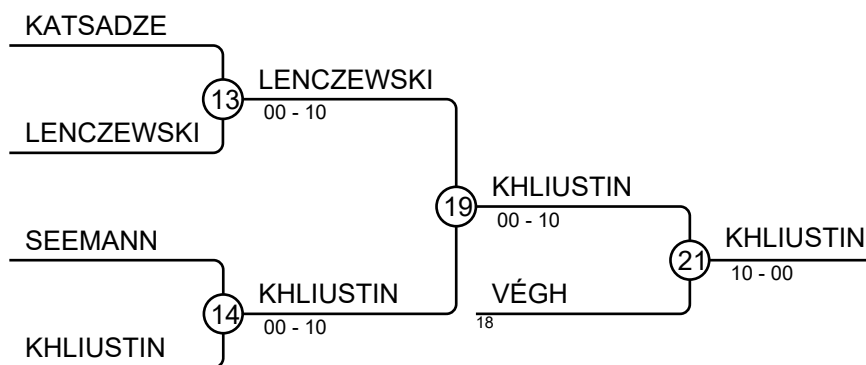
# Sumo Championships 18-21.04.19 Estonia MU23-85

Competitors: 12



## Results

Pos	Name
1	Georgy ABDULA-ZADE, RUS
2	Sviatoslav SEMYKRAS, UKR
3	Anatolii KHLIUSTIN, UKR
3	Subudai SHOIDUN, RUS
5	Richárd VÉGH, HUN
5	József DÉLCEG, HUN
7	Wojciech LENCZEWSKI, POL
7	Bartosz LETOWSKI, POL



# Sumo Championships 18-21.04.19 Estonia MU23-92

Competitors: 12

1. Antonio GROZEV, BUL

**A**

9. Danylo YAVHUSYSHYN, UKR (1) YAVHUSYSHYN 00-10

5. Jakub DARMOCHWAL, POL (2) DARMOCHWAL

(9) YAVHUSYSHYN 10-00

**B**

3. Andrea MARASCA, ITA (3) MARASCA

7. Khal Mohammad SASHAID, GER (4) CHEREPOV 00-10

15. Kirill CHEREPOV, RUS (4) CHEREPOV 00-10

(10) CHEREPOV 00-10

**C**

2. Mattia QUARANTA, ITA (5) QUARANTA

6. Adam GARDZIOLA, POL (6) GARDZIOLA

14. Keijo ORGVEE, EST (6) GARDZIOLA

(11) GARDZIOLA 00-10

**D**

12. Andrii ANNENKOV, UKR (7) ANNENKOV

8. Erik SZILÁGYI, HUN (8) SZILÁGYI 10-00

16. Andrei KARMANOV, RUS (8) SZILÁGYI 10-00

(12) ANNENKOV 10-00

GROZEV (13) DARMOCHWAL 00-10

DARMOCHWAL (13) DARMOCHWAL 00-10

SASHAID (14) MARASCA 00-10

MARASCA (14) MARASCA 00-10

(19) DARMOCHWAL 10-00

(18) ANNENKOV 10-00

(21) DARMOCHWAL 10-00

ORGVEE (15) QUARANTA

QUARANTA (15) QUARANTA

SZILÁGYI (16) SZILÁGYI

SZILÁGYI (16) SZILÁGYI

(20) SZILÁGYI 00-10

(17) CHEREPOV 10-00

(22) SZILÁGYI 10-00

(17) YAVHUSYSHYN 10-00

(10) CHEREPOV 00-10

(23) YAVHUSYSHYN 10-00

(18) GARDZIOLA 10-00

## Results

Pos	Name
1	Danylo YAVHUSYSHYN, UKR
2	Adam GARDZIOLA, POL
3	Jakub DARMOCHWAL, POL
3	Erik SZILÁGYI, HUN
5	Andrii ANNENKOV, UKR
5	Kirill CHEREPOV, RUS
7	Andrea MARASCA, ITA
7	Mattia QUARANTA, ITA

# Sumo Championships 18-21.04.19 Estonia MU23-100

Competitors: 11

1. Gabriele STRIPPOLI, ITA

A

9. Gela BURJANADZE, GEO (1) BURJANADZE 00 - 10

13. Jakub NOWAKOWSKI, POL (2) NOWAKOWSKI

(9) NOWAKOWSKI 00 - 10

B

11. Baasan BATKAR, RUS (3) BATKAR

7. Nazarii BERTASH, UKR (4) MOLNÁR 00 - 10

(10) MOLNÁR 00 - 10

C

2. Mert EMIN, BUL (5) EMIN

14. David KHAREBAVA, GEO (6) KHAREBAVA

(11) KHAREBAVA 00 - 10

D

4. Maksim CHISTIAKOV, RUS (7) CHISTIAKOV

8. Mateusz TROFIMCZUK, POL (8) SAMADOV 00 - 10

(12) SAMADOV 00 - 10

BURJANADZE (13) BURJANADZE

BERTASH (14) BATKAR 00 - 10

BATKAR (14) BATKAR 00 - 10

(19) BATKAR 00 - 10

(18) KHAREBAVA

(21) BATKAR 10 - 00

EMIN (15) EMIN

TROFIMCZUK (16) CHISTIAKOV 00 - 10

CHISTIAKOV (16) CHISTIAKOV 00 - 10

(20) EMIN 10 - 00

(17) MOLNÁR

(22) MOLNÁR 00 - 10

(17) NOWAKOWSKI 10 - 00

(23) SAMADOV 00 - 10

(18) SAMADOV 00 - 10

## Results

Pos	Name
1	Chingiz SAMADOV, AZE
2	Jakub NOWAKOWSKI, POL
3	Baasan BATKAR, RUS
3	Tamás MOLNÁR, HUN
5	David KHAREBAVA, GEO
5	Mert EMIN, BUL
7	Gela BURJANADZE, GEO
7	Maksim CHISTIAKOV, RUS

# Sumo Championships 18-21.04.19 Estonia MU23-115

Competitors: 11

1. Javid FEYZIYEV, AZE

A

9. Damian WRÓBEL, POL (1) WRÓBEL 00 - 10

13. Kantemir SHIBZUKHOV, RUS (2) SHIBZUKHOV

3. Enrico ZANETTI, ITA (3) ZANETTI

B

7. Oleksandr URSAKI, UKR (4) URSAKI 10 - 00

15. Erik PANK, EST (5) ALCER

C

6. Vazha DAIAURI, UKR (6) DAIAURI 10 - 00

14. Patrik TAMÁS, HUN (7) ABDULA-ZADE

D

4. Konstantin ABDULA-ZADE, RUS (8) HEBNES

WRÓBEL (13) WRÓBEL

PANK (14) ZANETTI 00 - 10

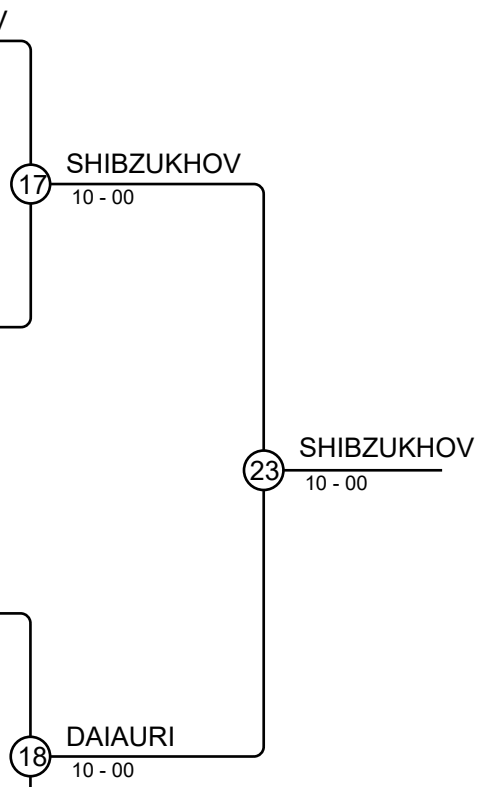
TAMÁS (15) ALCER 00 - 10

ALCER (20) ALCER 10 - 00

HEBNES (16) HEBNES

URSAKI (22) URSAKI 00 - 10

ABDULA-ZADE (21) ABDULA-ZADE 00 - 10



## Results

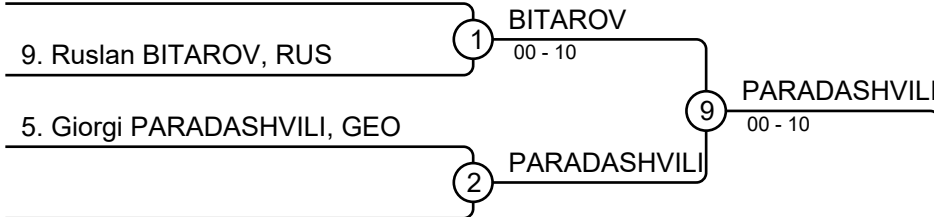
Pos	Name
1	Kantemir SHIBZUKHOV, RUS
2	Vazha DAIAURI, UKR
3	Konstantin ABDULA-ZADE, RUS
3	Oleksandr URSAKI, UKR
5	Damian WRÓBEL, POL
5	Sebastian ALCER, POL
7	Enrico ZANETTI, ITA
7	Benjamin HEBNES, NOR

# Sumo Championships 18-21.04.19 Estonia MU23+115

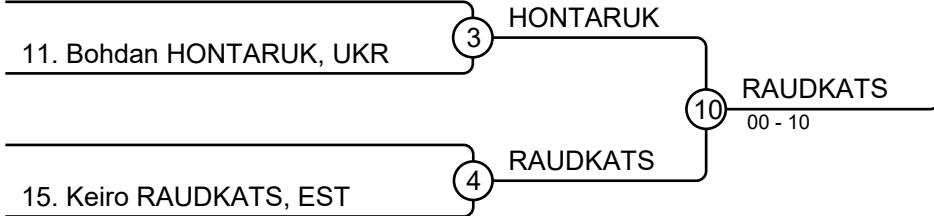
Competitors: 11

1. Michal FABIANOWSKI, POL

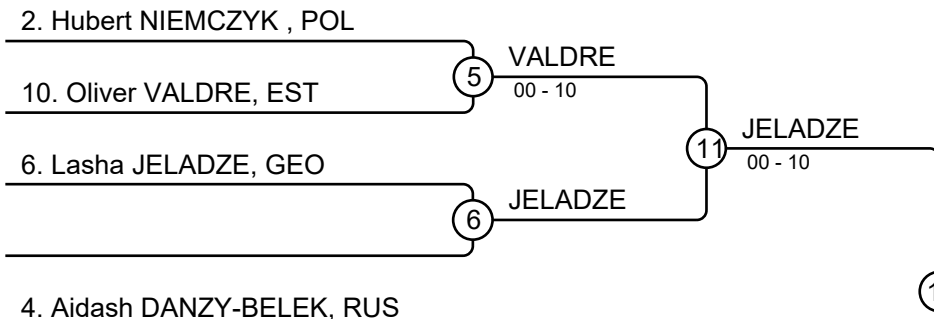
A



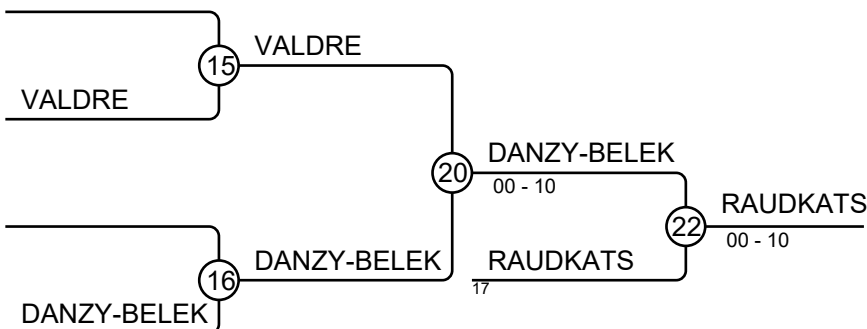
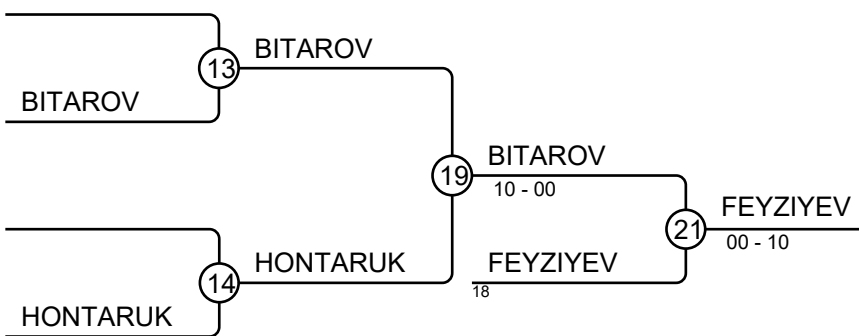
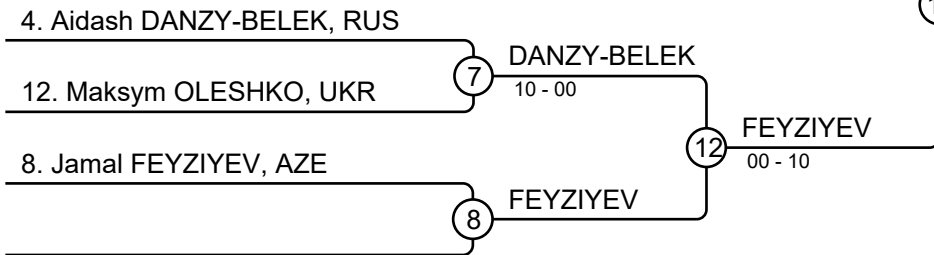
B



C



D

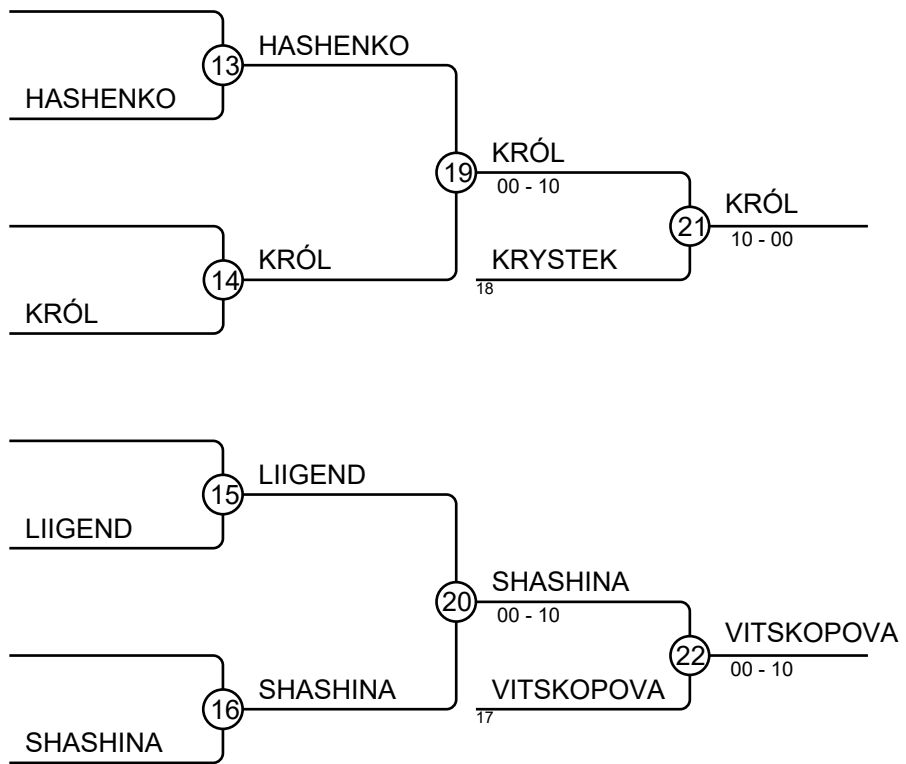
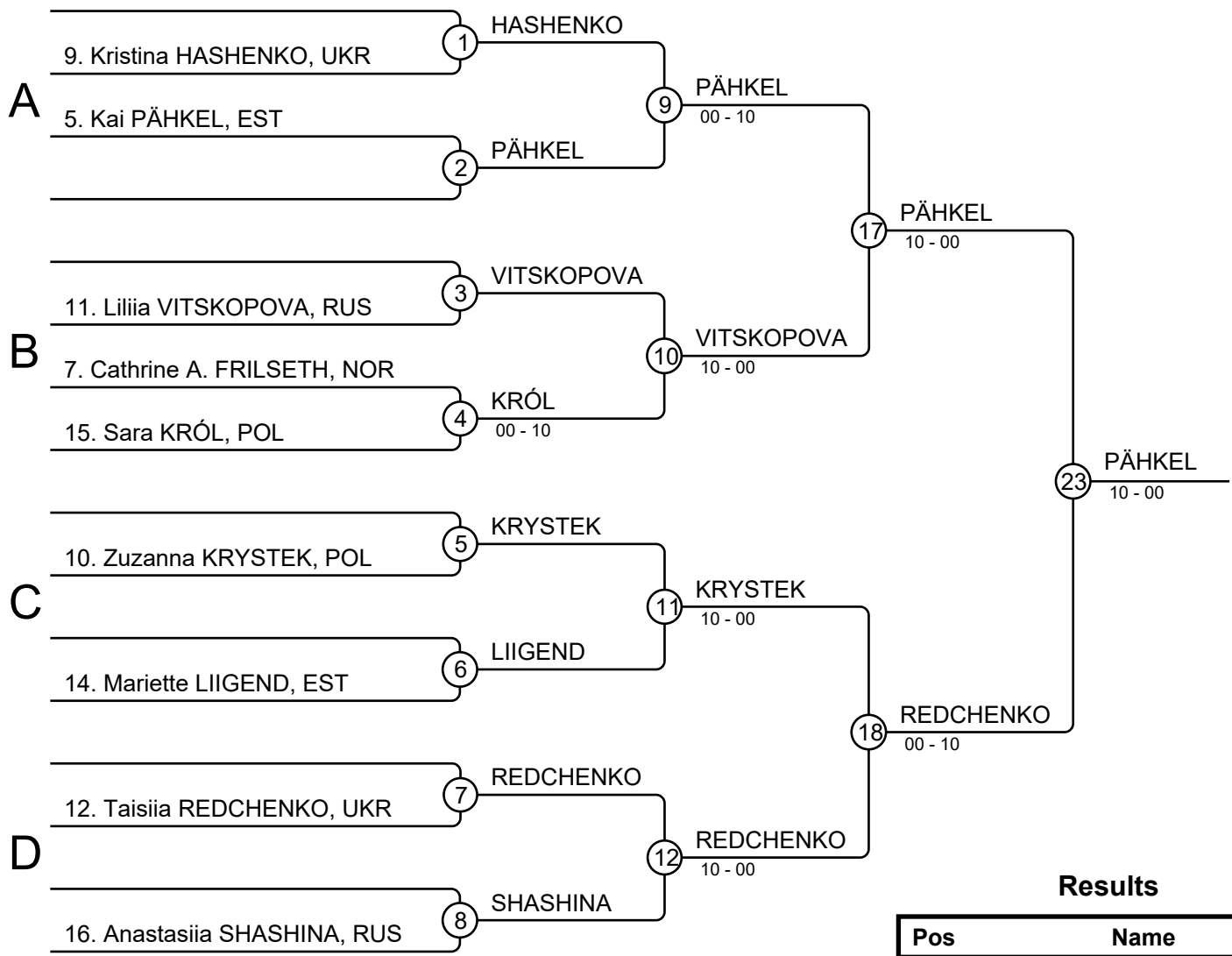


## Results

Pos	Name
1	Lasha JELADZE, GEO
2	Giorgi PARADASHVILI, GEO
3	Jamal FEYZIYEV, AZE
3	Keiro RAUDKATS, EST
5	Ruslan BITAROV, RUS
5	Aidash DANZY-BELEK, RUS
7	Bohdan HONTARUK, UKR
7	Oliver VALDRE, EST

# Sumo Championships 18-21.04.19 Estonia WU23-ABS

Competitors: 9

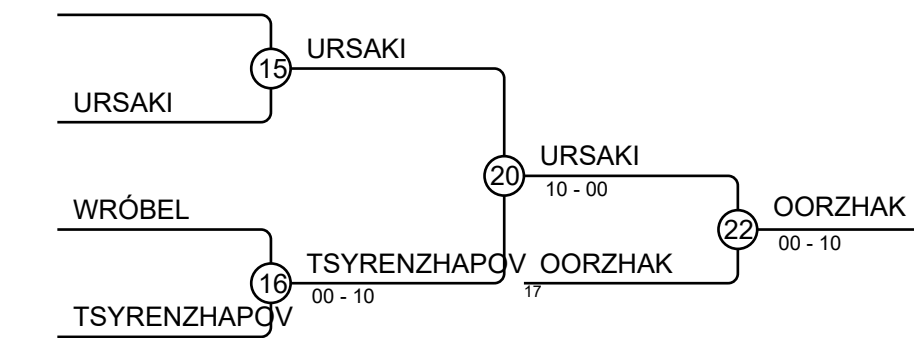
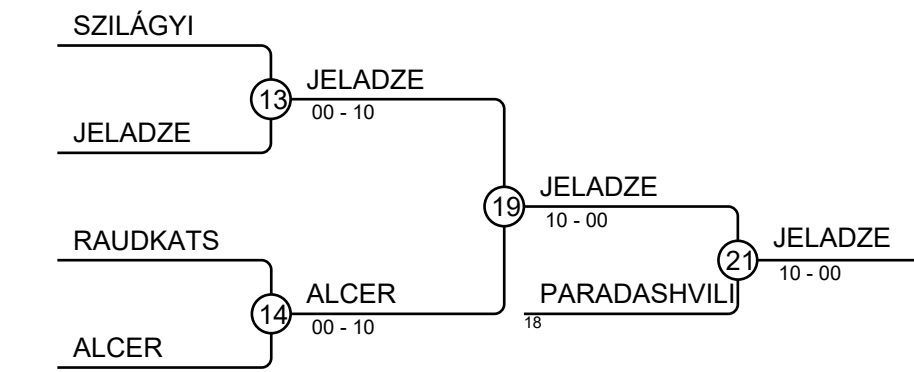
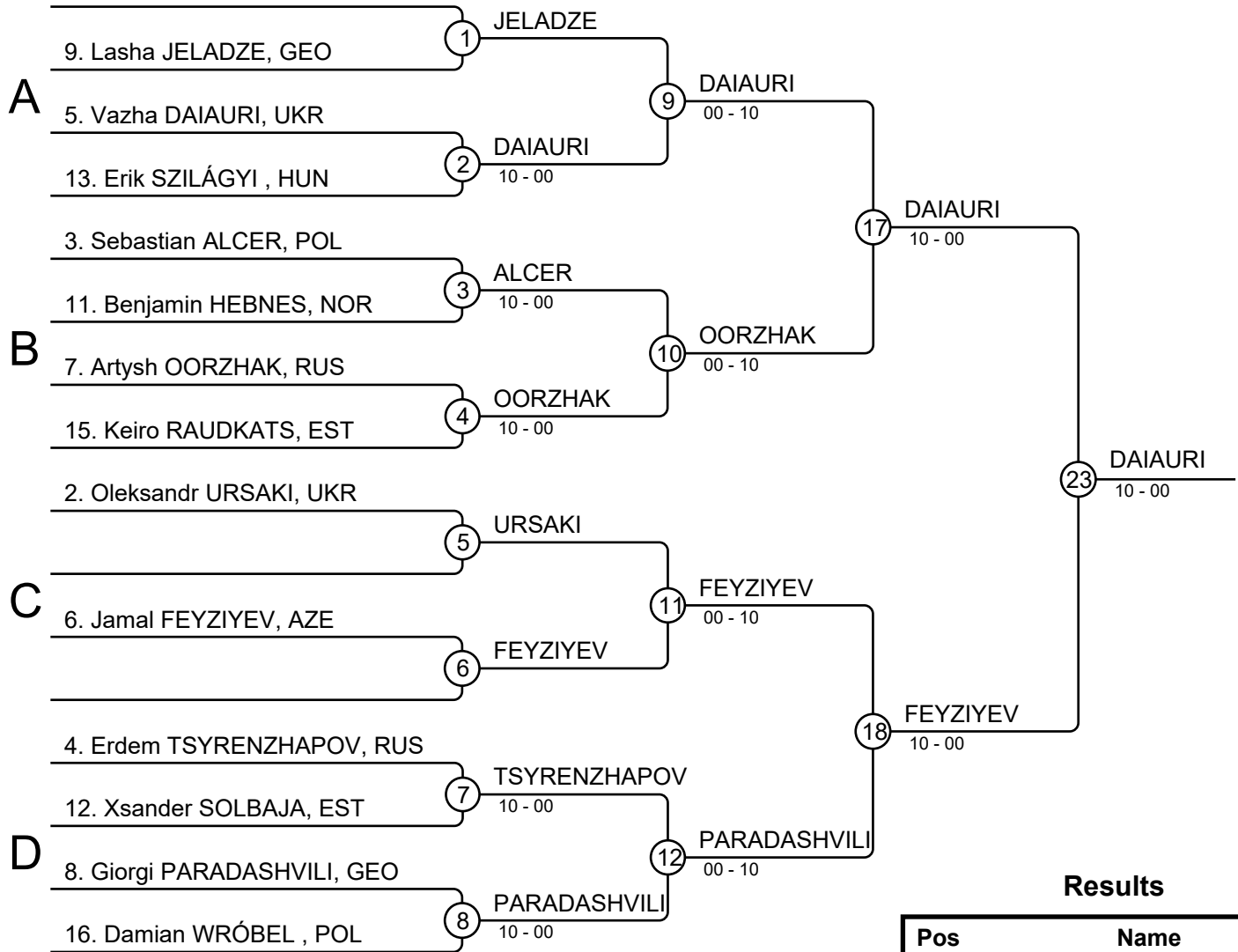


## Results

Pos	Name
1	Kai PÄHKEL, EST
2	Taisiia REDCHENKO, UKR
3	Sara KRÓL, POL
3	Lilii VITSKOPOVA, RUS
5	Zuzanna KRYSTEK, POL
5	Anastasiia SHASHINA, RUS
7	Kristina HASHENKO, UKR
7	Mariette LIIGEND, EST

# Sumo Championships 18-21.04.19 Estonia MU23-ABS

Competitors: 13



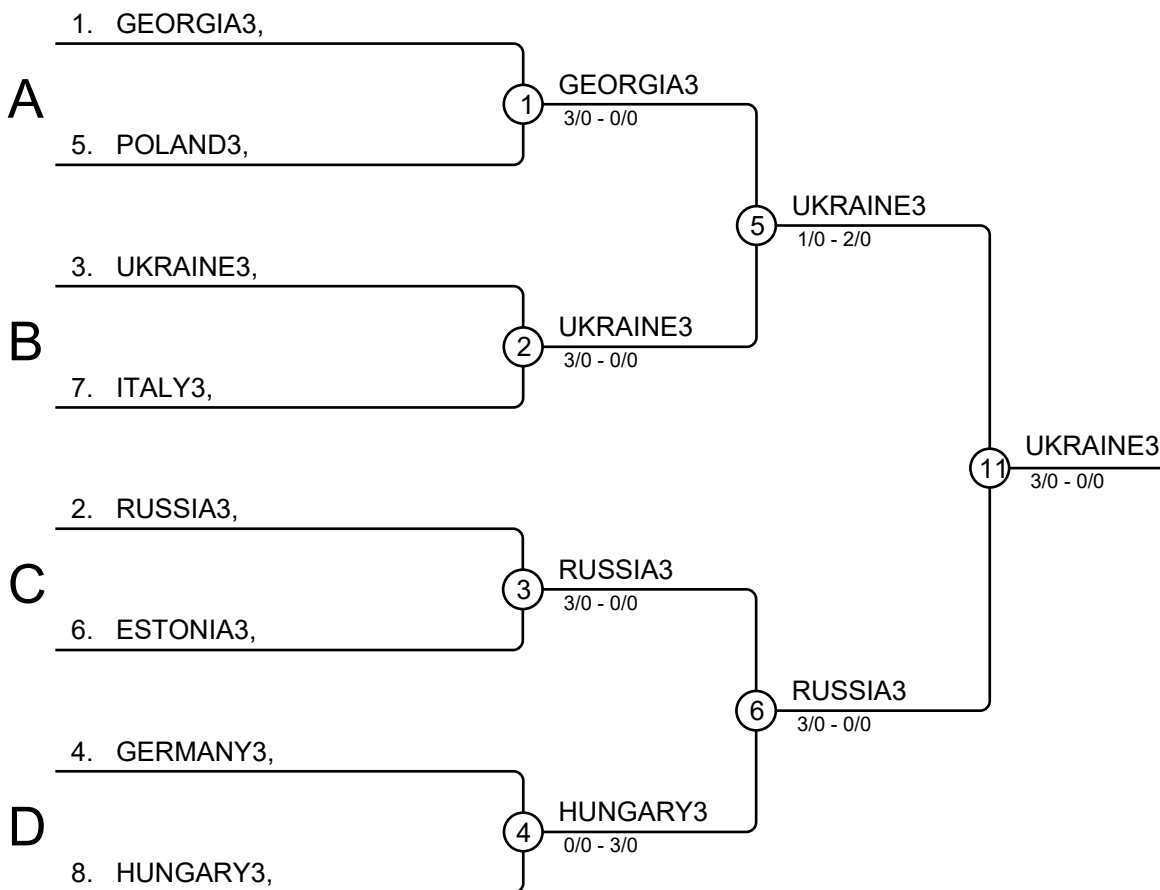
## Results

Pos	Name
1	Vazha DAIARI, UKR
2	Jamal FEYZIYEV, AZE
3	Lasha JELADZE, GEO
3	Artysh OORZHAK, RUS
5	Giorgi PARADASHVILI, GEO
5	Oleksandr URSAKI, UKR
7	Sebastian ALCER, POL
7	Erdem TSYRENZHAPOV, RUS



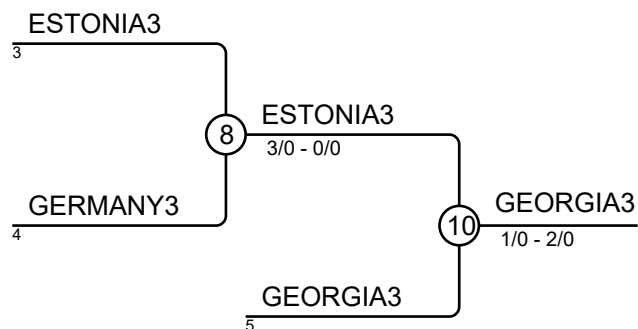
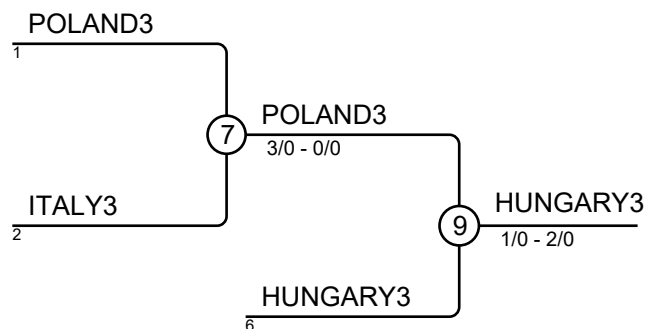
# Sumo Championships 18-21.04.19 Estonia MU23TEAM

Competitors: 8



## Results

Pos	Name
1	UKRAINE3,
2	RUSSIA3,
3	HUNGARY3,
3	GEORGIA3,
5	POLAND3,
5	ESTONIA3,
7	ITALY3,
7	GERMANY3,



# Sumo Championships 18-21.04.19 Estonia WU23TEAM

Competitors

Competitors: 5

#	Name	Grade	Club	1	2	3	4	5	Wins	Pts	Pos
1	RUSSIA4	?			3/0	3/0	2/0	2/0	4	0	1
2	POLAND4	?						2/0	1	0	3
3	NORWAY1	?			2/0			2/0	2	0	3
4	UKRAINE4	?			2/0	3/0		2/0	3	0	2
5	ESTONIA4	?							0	0	5

## Matches

Match	White	Grade	Blue	Grade	Result	Time
1	UKRAINE4	4	ESTONIA4	5	2/0-1/0	0:14
2	RUSSIA4	1	POLAND4	2	3/0-0/0	0:05
3	NORWAY1	3	UKRAINE4	4	0/0-3/0	0:12
4	RUSSIA4	1	ESTONIA4	5	2/0-1/0	0:04
5	POLAND4	2	NORWAY1	3	1/0-2/0	0:11
6	RUSSIA4	1	UKRAINE4	4	2/0-1/0	0:07
7	NORWAY1	3	ESTONIA4	5	2/0-1/0	0:04
8	POLAND4	2	UKRAINE4	4	1/0-2/0	0:09
9	RUSSIA4	1	NORWAY1	3	3/0-0/0	0:07
10	POLAND4	2	ESTONIA4	5	2/0-1/0	0:09

## Results

Pos	Name
1	RUSSIA4,
2	UKRAINE4,
3	NORWAY1,
3	POLAND4,
5	ESTONIA4,